



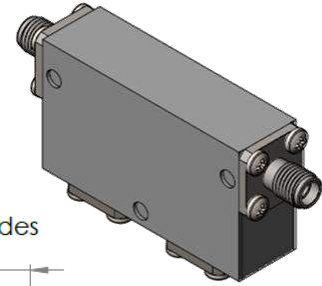
## Part Number: D4I7012

### Electrical Specifications

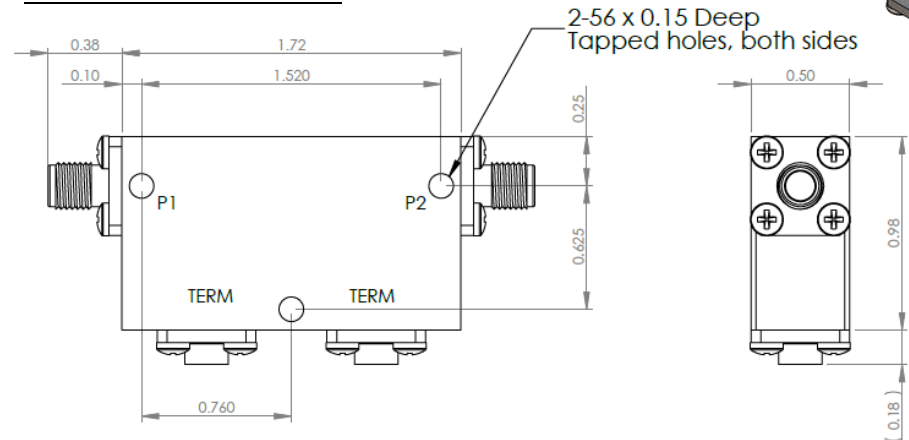
Frequency Range (GHz):	7.0 - 12.4
Isolation (dB):	36 MIN
Insertion Loss (dB):	1.0 MAX
VSWR:	1.3:1 MIN
Forward Power (W):	25 AVG 200 PK
Reflective Power (W):	2 AVG

### Mechanical/Environmental Specifications

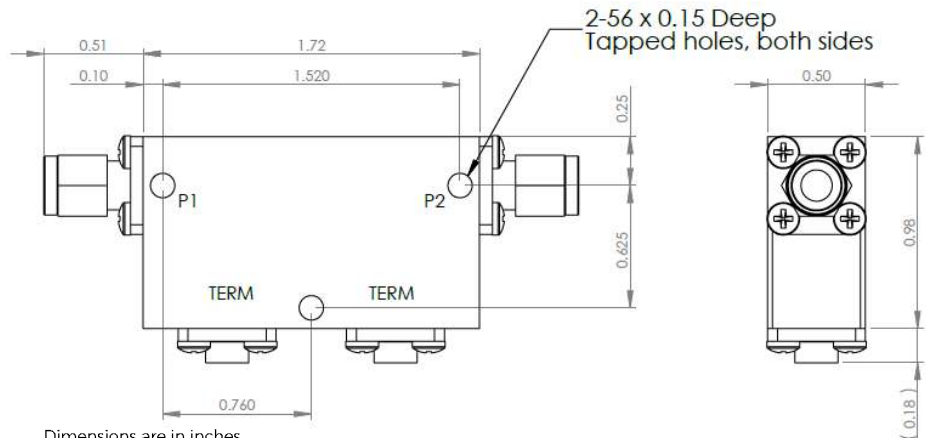
Connector Type:	SMA
Connector Body:	Passivated stainless steel
Connector Pin:	Gold plated copper
Load Body:	Brass
Magnetic Shunt:	Nickel plated CRS
Operational Temp:	-30°C to +85°C
Weight (oz)	2.0 MAX



D4I7012 Dimensions



D4I7012-3 Dimensions



Dimensions are in inches  
Tolerance

XX	±0.03
XXX	±0.010

Type of Device	PN Suffix	Connector Configuration Input / Output	PN Example
Single and Dual Junction Isolator, 2-Port Device  Input / Output	N/A	Female / Female	D4I7012
	-1	Male / Female	D4I7012-1
	-2	Female / Male	D4I7012-2
	-3	Male / Male	D4I7012-3



# MEASURED DATA

Part Number: D4I7012, +25°C

