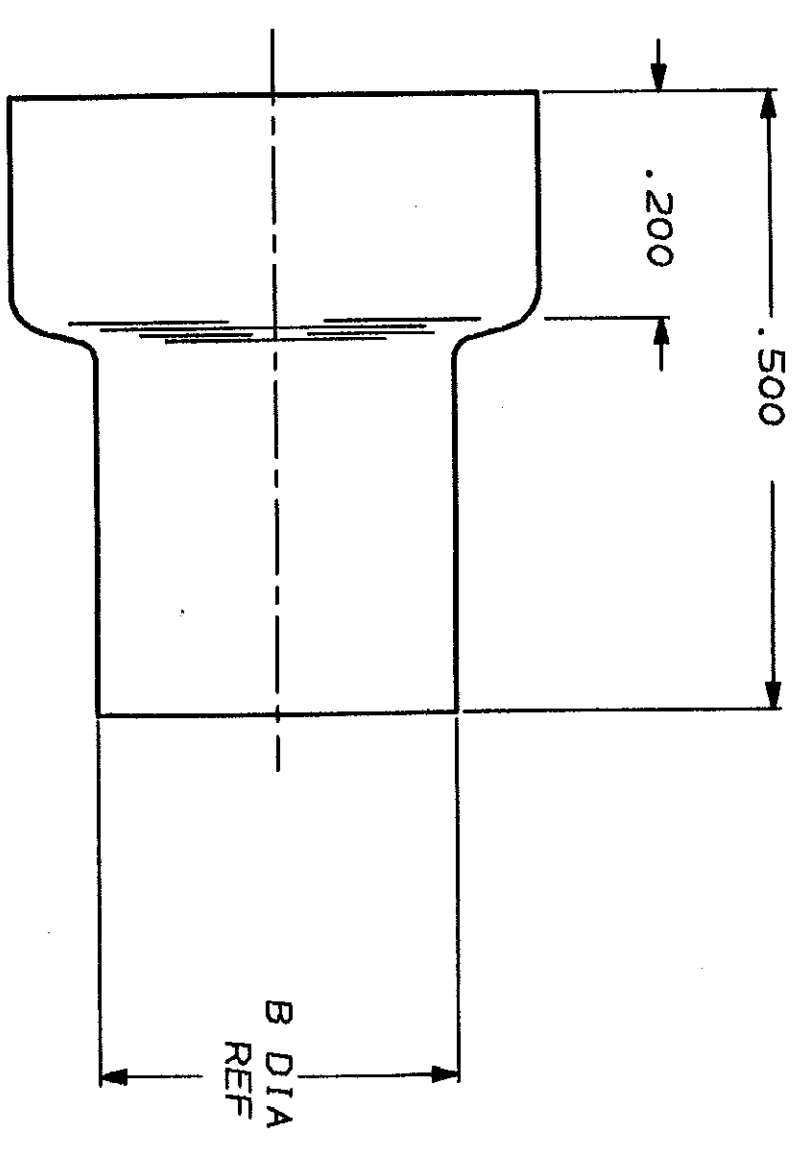
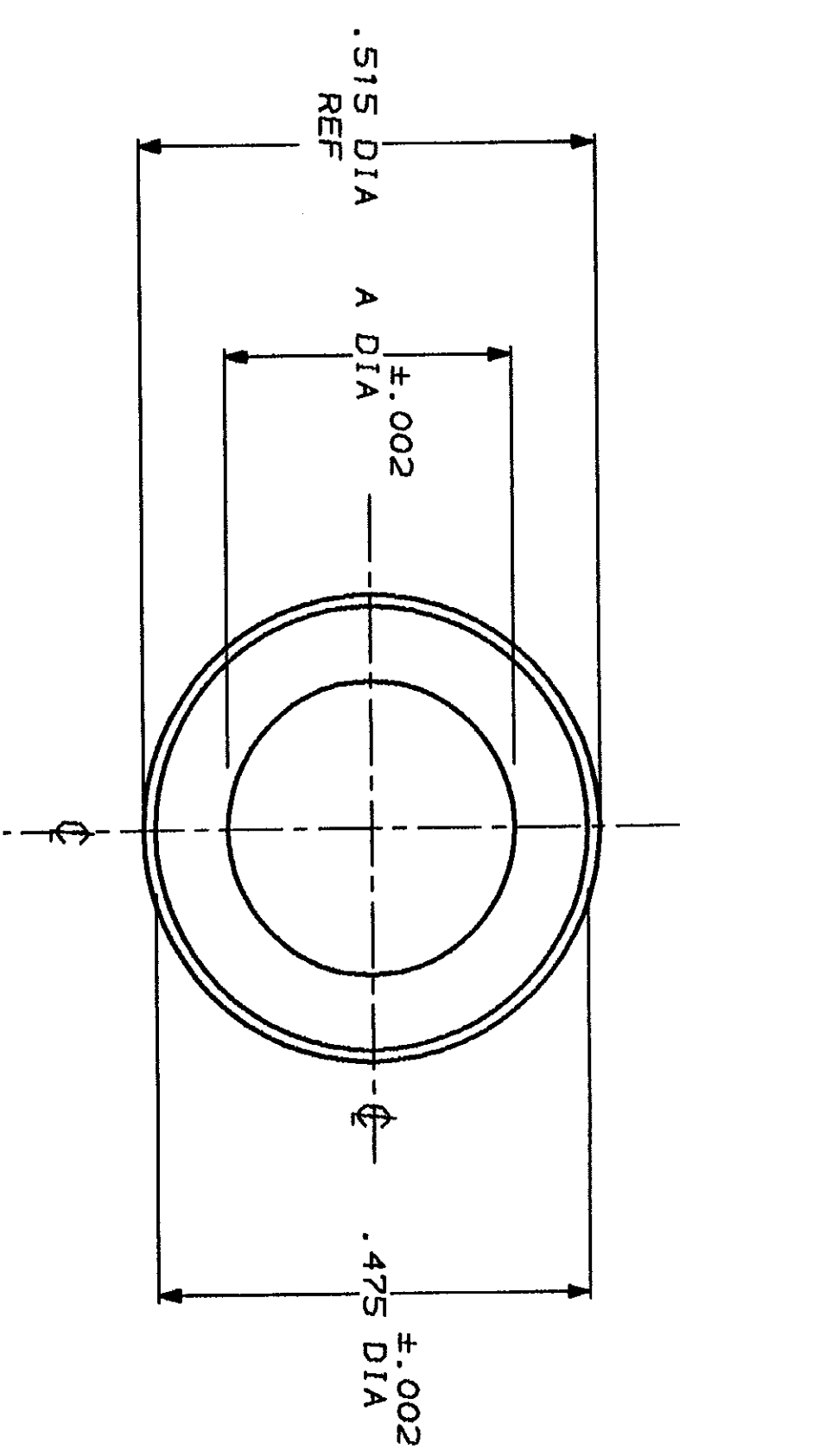


DRAWING MADE IN THIRD ANGLE PROJECTION  
 THIS DRAWING IS UNPUBLISHED. RELEASED FOR PUBLICATION  
 BY AMP INCORPORATED, HARRISBURG, PA. ALL INTERNATIONAL RIGHTS  
 RESERVED. AMP PRODUCTS MAY BE COVERED BY U.S. AND FOREIGN PATENTS AND/OR PATENTS PENDING.

M	LOC	DIST	P	F	ZONE	LTR	DESCRIPTION	DATE	APPROVED
18	BD	39			A		REV PER AF-4685	11-1-88	GY
					B		REVISED PER ECN BD2495	11-1-88	RJ



UNLESS OTHERWISE SPECIFIED DIMENSIONS ARE IN INCHES TOLERANCES ON:	DR 3-5-86	FINISH	PART NO
2 PL DEC ± .02	3 SCHAFFHAUSER	TIN OVER COPPER	212435-9
3 PL DEC ± .010	6 YETTER	TIN OVER COPPER	212435-8
ANGLES ±	APPD 3-6-86	TIN OVER COPPER	212435-7
	C OHL		
	APPD 8-7-88		
	C ROHDE		
	PRODUCT SPEC		
	APPLICATION SPEC		
	WEIGHT		

UNLESS OTHERWISE SPECIFIED DIMENSIONS ARE IN INCHES TOLERANCES ON:	DR 3-5-86	FINISH	PART NO
2 PL DEC ± .02	3 SCHAFFHAUSER	TIN OVER COPPER	212435-9
3 PL DEC ± .010	6 YETTER	TIN OVER COPPER	212435-8
ANGLES ±	APPD 3-6-86	TIN OVER COPPER	212435-7
	C OHL		
	APPD 8-7-88		
	C ROHDE		
	PRODUCT SPEC		
	APPLICATION SPEC		
	WEIGHT		

UNLESS OTHERWISE SPECIFIED DIMENSIONS ARE IN INCHES TOLERANCES ON:	DR 3-5-86	FINISH	PART NO
2 PL DEC ± .02	3 SCHAFFHAUSER	TIN OVER COPPER	212435-9
3 PL DEC ± .010	6 YETTER	TIN OVER COPPER	212435-8
ANGLES ±	APPD 3-6-86	TIN OVER COPPER	212435-7
	C OHL		
	APPD 8-7-88		
	C ROHDE		
	PRODUCT SPEC		
	APPLICATION SPEC		
	WEIGHT		

FERRULE, SHIELDED,  
 CIRCULAR DIN

UNLESS OTHERWISE SPECIFIED DIMENSIONS ARE IN INCHES TOLERANCES ON:	DR 3-5-86	FINISH	PART NO
2 PL DEC ± .02	3 SCHAFFHAUSER	TIN OVER COPPER	212435-9
3 PL DEC ± .010	6 YETTER	TIN OVER COPPER	212435-8
ANGLES ±	APPD 3-6-86	TIN OVER COPPER	212435-7
	C OHL		
	APPD 8-7-88		
	C ROHDE		
	PRODUCT SPEC		
	APPLICATION SPEC		
	WEIGHT		

AMP 1471-7 REV 10-84

CUSTOMER DRAWING

212435