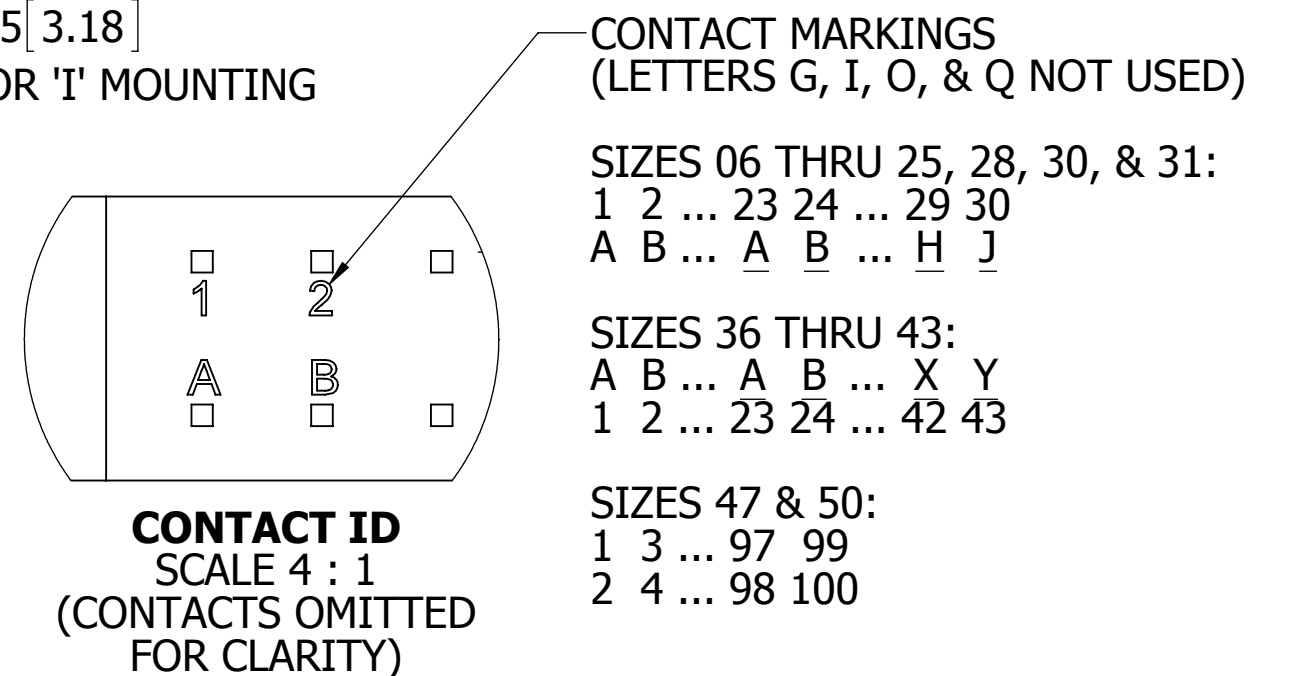
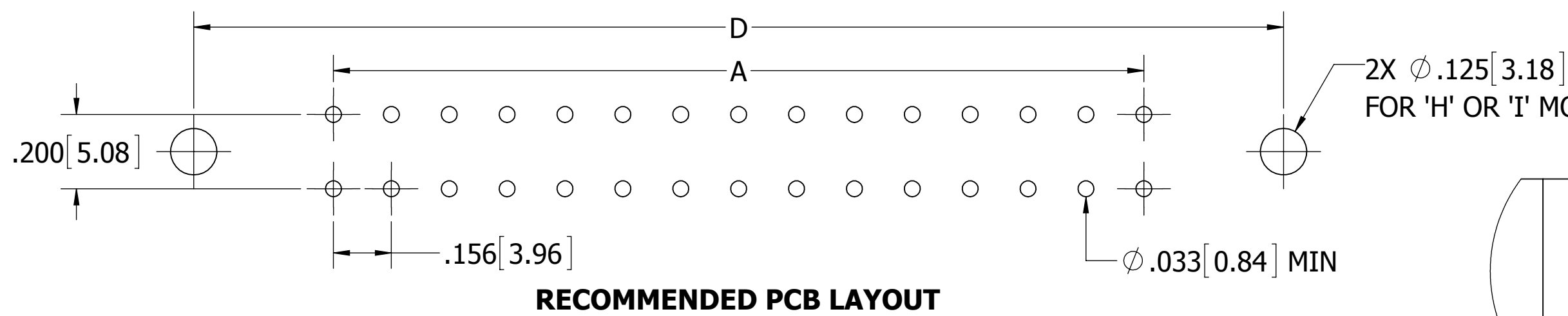
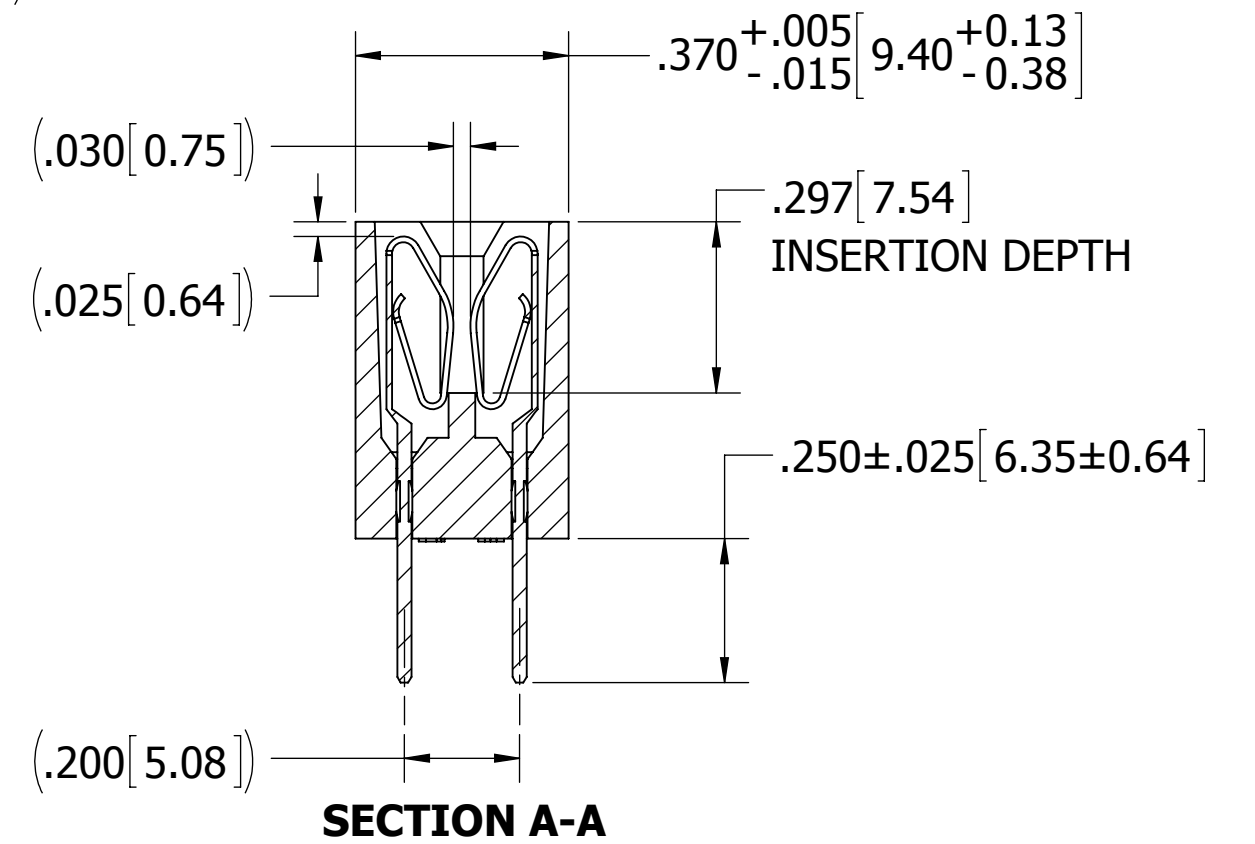
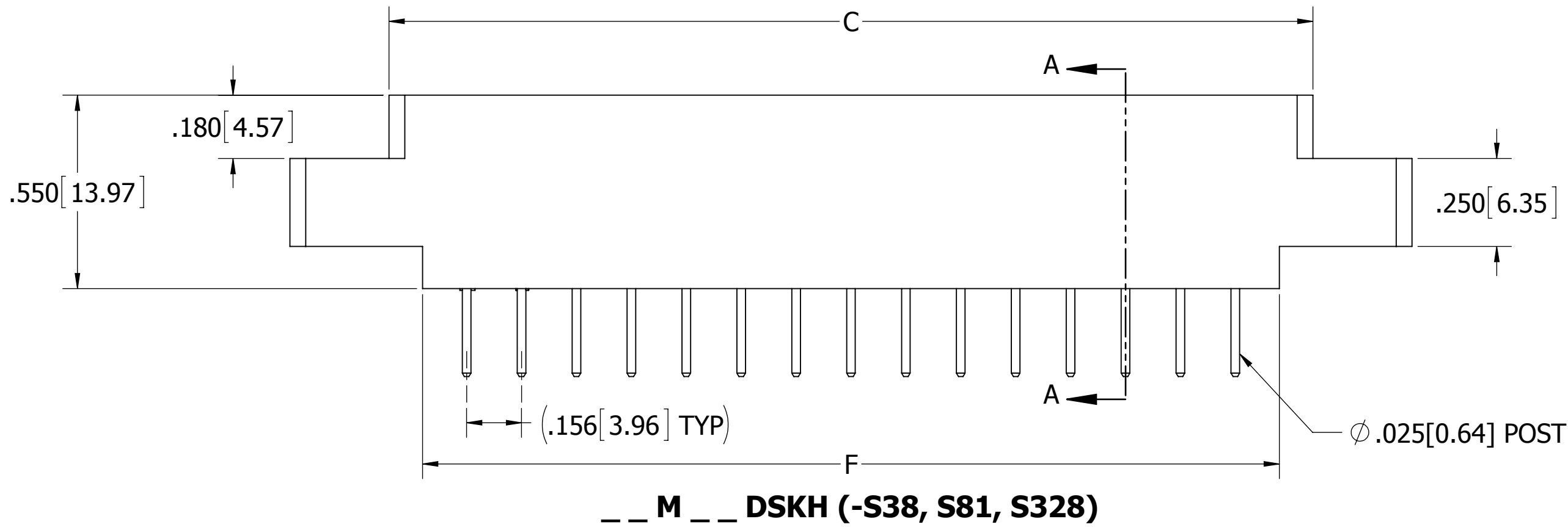
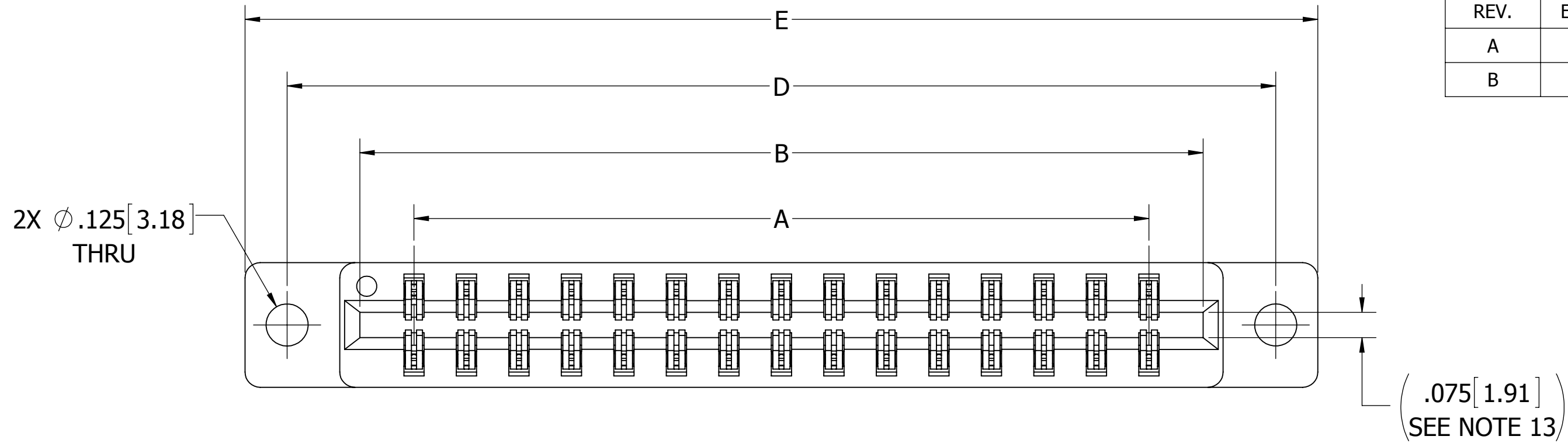


REVISIONS				
REV.	ECO NO.	DESCRIPTION	DATE	BY
A	2898	INITIAL RELEASE	1/16/2014	JHSU
B	3023	ADD 'B' MOUNTING STYLE	7/24/2014	JHSU

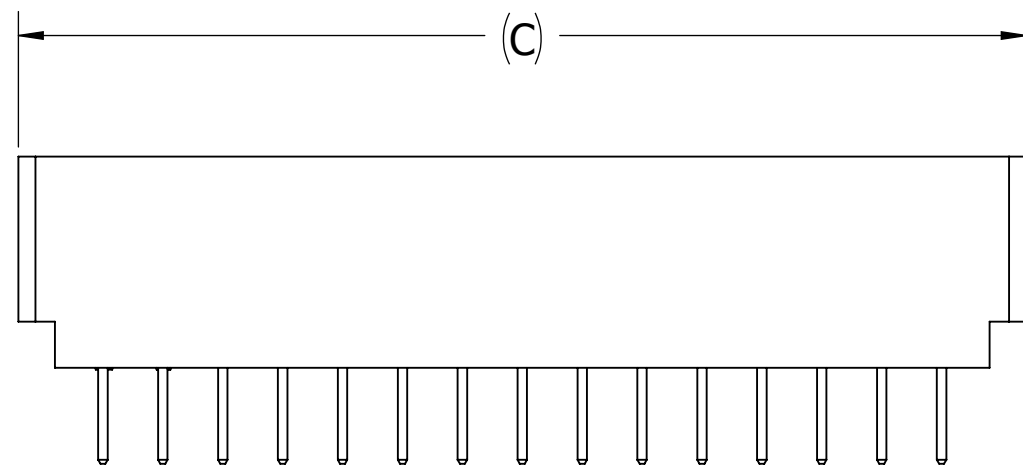
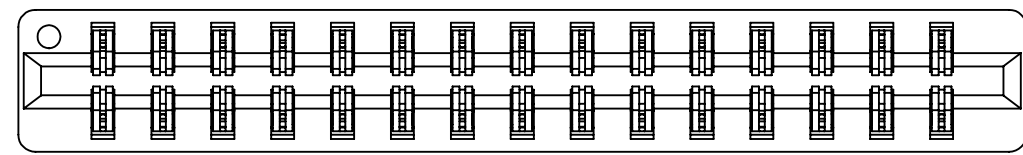


- NOTES:
- INSULATOR MATERIAL: SEE PART NUMBER CODING
 - CONTACT MATERIAL: SEE PART NUMBER CODING
 - PLATING: SEE PART NUMBER CODING
 - OPERATING TEMPERATURE: SEE PART NUMBER CODING
 - PROCESSING TEMP: SEE PART NUMBER CODING
 - UL FLAMMABILITY RATING: 94V-0
 - OPERATING VOLTAGE: 950 VAC MINIMUM AT SEA LEVEL
 - CURRENT RATING: 3 AMP
 - CONTACT RESISTANCE: 30 MILLI OHMS MAX
 - INSULATION RESISTANCE: 5000 MEGA OHMS
 - DURABILITY: 500 CYCLES MIN
 - CONNECTOR IDENTIFICATION: THE PART SHALL BE MARKED WITH A PART NUMBER AND LOT CODE
 - BOARD THICKNESS ACCOMMODATED: .062±.008[1.57±0.20]
 - INSERTION FORCE: 8 OZ MAX PER CONTACT PAIR WHEN USING A .062[1.57] TEST BLADE
 - WITHDRAWAL FORCE: 1 OZ MIN PER CONTACT PAIR USING .062[1.57] PCB
 - MODIFICATION: SEE PART NUMBER CODING

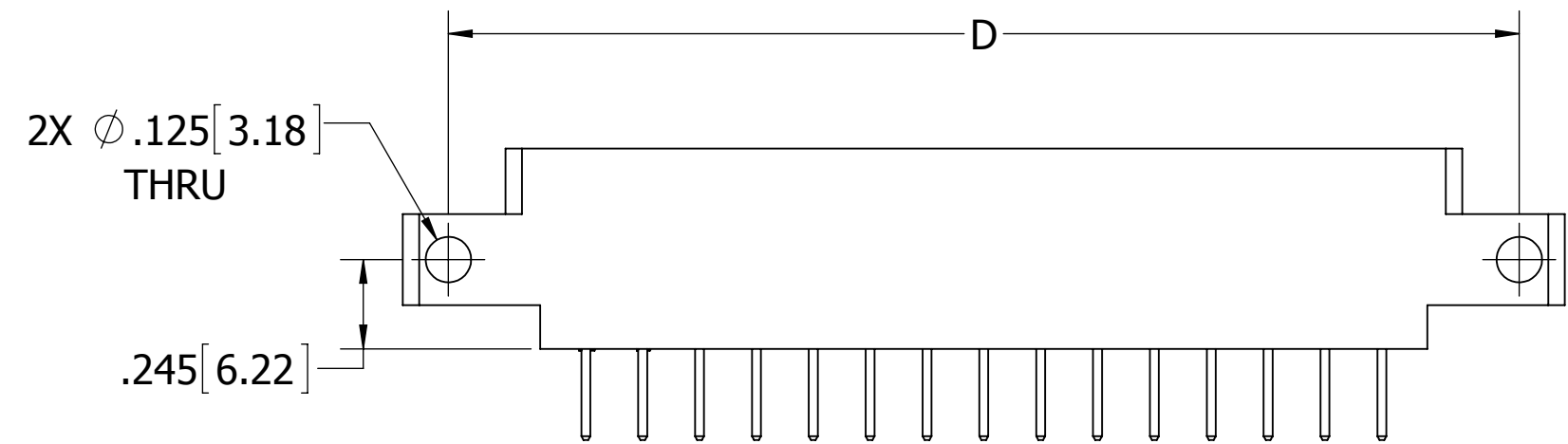
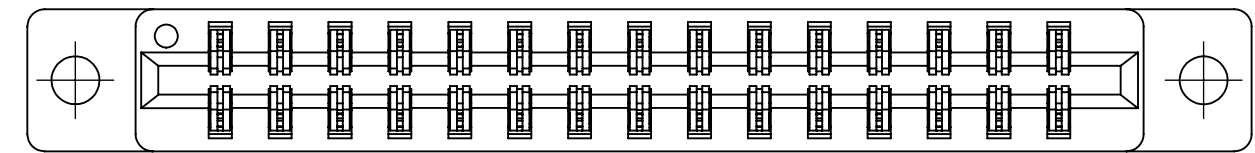


CUSTOMER COPY

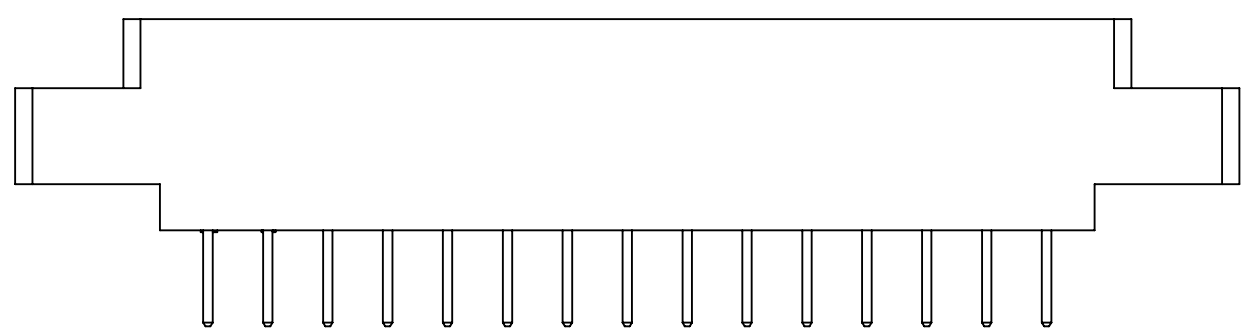
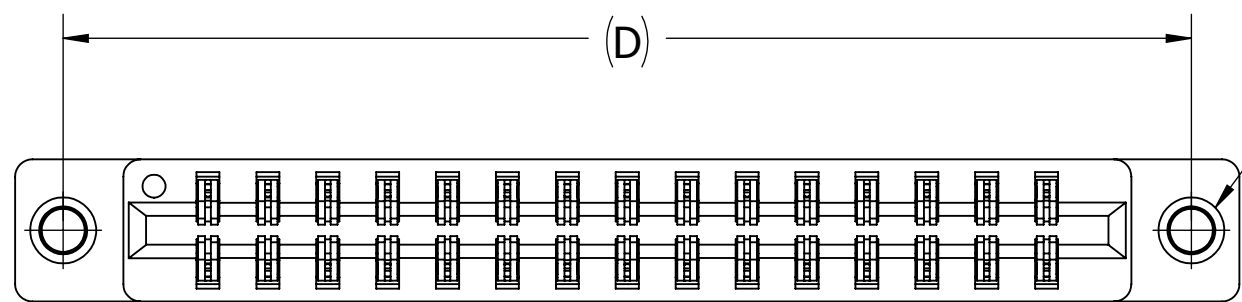
UNLESS OTHERWISE SPECIFIED: DIMENSIONS ARE IN INCHES [MM]		DRAWN	DATE	NAME	
			1/16/2014	JHSU	
TOLERANCES:					<small>THE INFORMATION HEREIN CONTAINS PROPRIETARY INFORMATION OF SULLINS ELECTRONICS AND IS NOT TO BE REPRODUCED, USED OR DISCLOSED TO OTHERS FOR ANY PURPOSE EXCEPT AS SPECIFICALLY AUTHORIZED IN WRITING BY AN OFFICER OF SULLINS ELECTRONICS.</small>
ANGULAR: ± 1°					
DECIMALS .XX=± .02 [.5] .XXX=± .005 [.13] .XXXX=± .0005 [.013]					
TITLE					EDGE CARD, .156 CC, HP
PART NUMBER					__ M __ DSK _ (-S38, S81, S328)
SIZE	CAGE CODE	DWG. NO.		REV	
C	54453	C12337		B	
SCALE: 3:1					SHEET 1 OF 3



__ M __ DSKN (-S38, S81, S328)

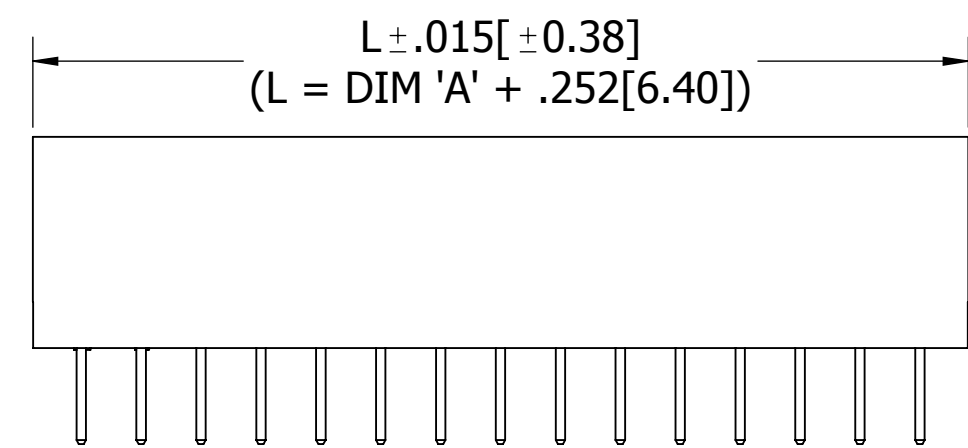
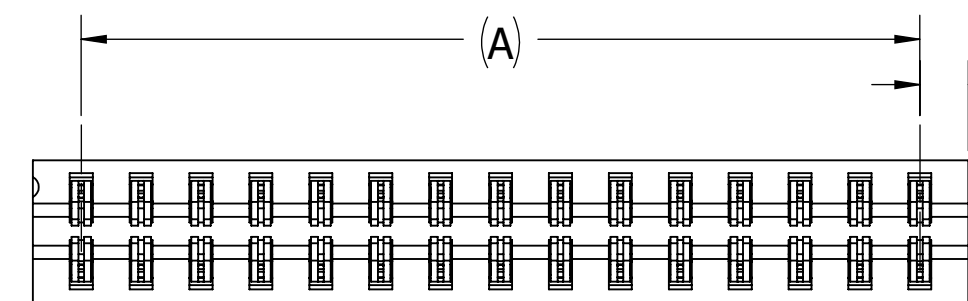


__ M __ DSKS (-S38, S81, S328)



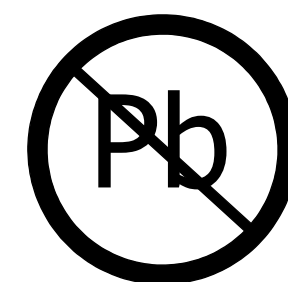
__ M __ DSKI (-S38, S81, S328)

2X #4-40
THREADED INSERT



__ M __ DSKB (-S38, S81, S328)

CUSTOMER COPY



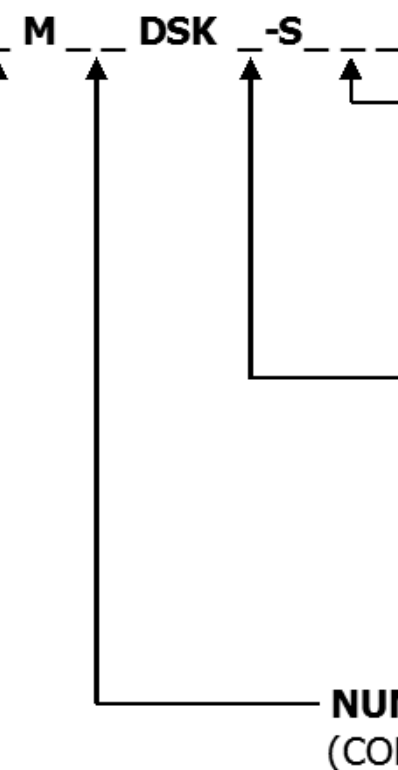
RoHS COMPLIANT

UNLESS OTHERWISE SPECIFIED: DIMENSIONS ARE IN INCHES [MM]	DRAWN	DATE	NAME		
		1/16/2014	JHSU		
TOLERANCES: ANGULAR: ± 1° DECIMALS .XX = ± .02 [.5] .XXX = ± .005 [.13] .XXXX = ± .0005 [.013]	<small>THE INFORMATION HEREIN CONTAINS PROPRIETARY INFORMATION OF SULLINS ELECTRONICS AND IS NOT TO BE REPRODUCED, USED OR DISCLOSED TO OTHERS FOR ANY PURPOSE EXCEPT AS SPECIFICALLY AUTHORIZED IN WRITING BY AN OFFICER OF SULLINS ELECTRONICS.</small>			TITLE	
				EDGE CARD, .156 CC, HP	
				PART NUMBER	
			__ M __ DSK __ (-S38, S81, S328)		
		SIZE	CAGE CODE	DWG. NO.	REV
		C	54453	C12337	B
SCALE: 2:1				SHEET 2 OF 3	

PART NUMBER	NO. OF POS.	DIMENSIONS											
		A ±.008[0.20]		B ±.008[0.20]		C ±.015[0.38]		D ±.010[0.38]		E ±.020[0.51]		F ±.015[0.38]	
		IN	MM	IN	MM	IN	MM	IN	MM	IN	MM	IN	MM
M06DSK	6	0.780	19.81	1.102	27.99	1.221	31.01	1.534	38.96	1.784	45.31	1.030	26.16
M08DSK	8	1.092	27.74	1.414	35.92	1.533	38.94	1.846	46.89	2.096	53.24	1.342	34.09
M10DSK	10	1.404	35.66	1.726	43.84	1.845	46.86	2.158	54.81	2.408	61.16	1.654	42.01
M12DSK	12	1.716	43.59	2.038	51.77	2.157	54.79	2.470	62.74	2.720	69.09	1.966	49.94
M15DSK	15	2.184	55.47	2.506	63.65	2.625	66.68	2.938	74.63	3.188	80.98	2.434	61.82
M18DSK	18	2.652	67.36	2.974	75.54	3.093	78.56	3.406	86.51	3.656	92.86	2.902	73.71
M20DSK	20	2.964	75.29	3.286	83.46	3.405	86.49	3.718	94.44	3.968	100.79	3.214	81.64
M22DSK	22	3.276	83.21	3.598	91.39	3.717	94.41	4.030	102.36	4.280	108.71	3.526	89.56
M24DSK	24	3.588	91.14	3.910	99.31	4.029	102.34	4.342	110.29	4.592	116.64	3.838	97.49
M25DSK	25	3.744	95.10	4.066	103.28	4.185	106.30	4.498	114.25	4.748	120.60	3.994	101.45
M28DSK	28	4.212	106.98	4.534	115.16	4.653	118.19	4.966	126.14	5.216	132.49	4.462	113.33
M30DSK	30	4.524	114.91	4.846	123.09	4.965	126.11	5.278	134.06	5.528	140.41	4.774	121.26
M31DSK	31	4.680	118.87	5.002	127.05	5.121	130.07	5.434	138.02	5.684	144.37	4.930	125.22
M36DSK	36	5.460	138.68	5.782	146.86	5.901	149.89	6.214	157.84	6.464	164.19	5.710	145.03
M40DSK	40	6.084	154.53	6.406	162.71	6.525	165.74	6.838	173.69	7.088	180.04	6.334	160.88
M43DSK	43	6.552	166.42	6.874	174.60	6.993	177.62	7.306	185.57	7.556	191.92	6.802	172.77
M47DSK	47	7.176	182.27	7.498	190.45	7.617	193.47	7.930	201.42	8.180	207.77	7.426	188.62
M50DSK	50	7.644	194.16	7.966	202.34	8.085	205.36	8.398	213.31	8.648	219.66	7.894	200.51

PART NUMBER CODING

MATERIAL (INSULATOR/CONTACT)
E = PBT/PHOSPHOR BRONZE
 OPERATING TEMP: -65°C TO +125°C
 PROCESSING TEMP: WAVE/MANUAL SOLDERING ONLY
R = PPS/PHOSPHOR BRONZE
 OPERATING TEMP: -65°C TO +125°C
 PROCESSING TEMP: 260°C MAX FOR 20 SECONDS
G = PA9T/PHOSPHOR BRONZE
 OPERATING TEMP: -65°C TO +125°C
 PROCESSING TEMP: 260°C MAX FOR 20 SECONDS
H = PBT/BERYLLIUM COPPER
 OPERATING TEMP: -65°C TO +125°C
 PROCESSING TEMP: WAVE/MANUAL SOLDERING ONLY
A = PPS/BERYLLIUM COPPER
 OPERATING TEMP: -65°C TO +150°C
 PROCESSING TEMP: 260°C MAX FOR 20 SECONDS
J = PA9T/BERYLLIUM COPPER
 OPERATING TEMP: -65°C TO +150°C
 PROCESSING TEMP: 260°C MAX FOR 20 SECONDS
 (CONSULT FACTORY FOR OTHER MATERIALS)



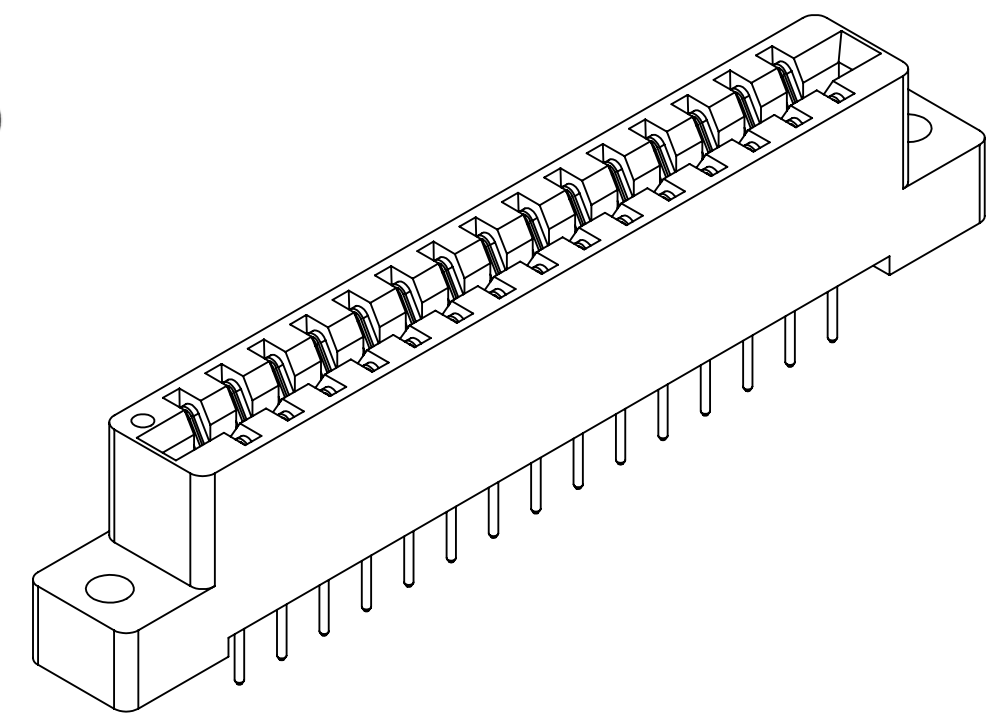
MODIFICATION CODE
 - OMIT FOR STANDARD, EX: 'EBM22DSKH'
 - S38 = BLACK PBT (MATERIAL CODES E AND H ONLY)
 - S81 = GREEN PBT (MATERIAL CODES E AND H ONLY)
 - S328 = BROWN PPS (MATERIAL CODES R AND A ONLY)

MOUNTING STYLE
 H = .125 DIA. CLEARANCE HOLES
 I = #4-40 THREADED INSERT
 S = .125 DIA. SIDE MOUNTING
 N = NO MOUNTING EARS
 B = OPEN CARD SLOT

PLATING
ALL PLATINGS HAVE .000050" NICKEL UNDERPLATE

CONTACT SURFACE	TERMINATION
G = .000010" GOLD	.000005" GOLD
Y = .000030" GOLD	.000005" GOLD
B = .000010" GOLD	.000100" PURE TIN, MATTE
C = .000030" GOLD	.000100" PURE TIN, MATTE
**E = .000100" PURE TIN, MATTE, OVERALL	
S = .000010" GOLD OVERALL	
M = .000030" GOLD	.000010" GOLD OVERALL

** OVERALL TIN ONLY AVAILABLE ON MATERIAL CODES E, R AND G



CUSTOMER COPY



UNLESS OTHERWISE SPECIFIED: DIMENSIONS ARE IN INCHES [MM]	DRAWN	DATE	NAME	
		1/16/2014	JHSU	
TOLERANCES: ANGULAR: ± 1° DECIMALS .XX = ± .02 [.5] .XXX = ± .005 [.13] .XXXX = ± .0005 [.013]	<small>THE INFORMATION HEREIN CONTAINS PROPRIETARY INFORMATION OF SULLINS ELECTRONICS AND IS NOT TO BE REPRODUCED, USED OR DISCLOSED TO OTHERS FOR ANY PURPOSE EXCEPT AS SPECIFICALLY AUTHORIZED IN WRITING BY AN OFFICER OF SULLINS ELECTRONICS.</small>			TITLE
				EDGE CARD, .156 CC, HP
PART NUMBER				REV
M DSK (-S38, S81, S328)				B
SIZE	CAGE CODE	DWG. NO.		
C	54453	C12337		
SCALE: 2:1			SHEET 3 OF 3	