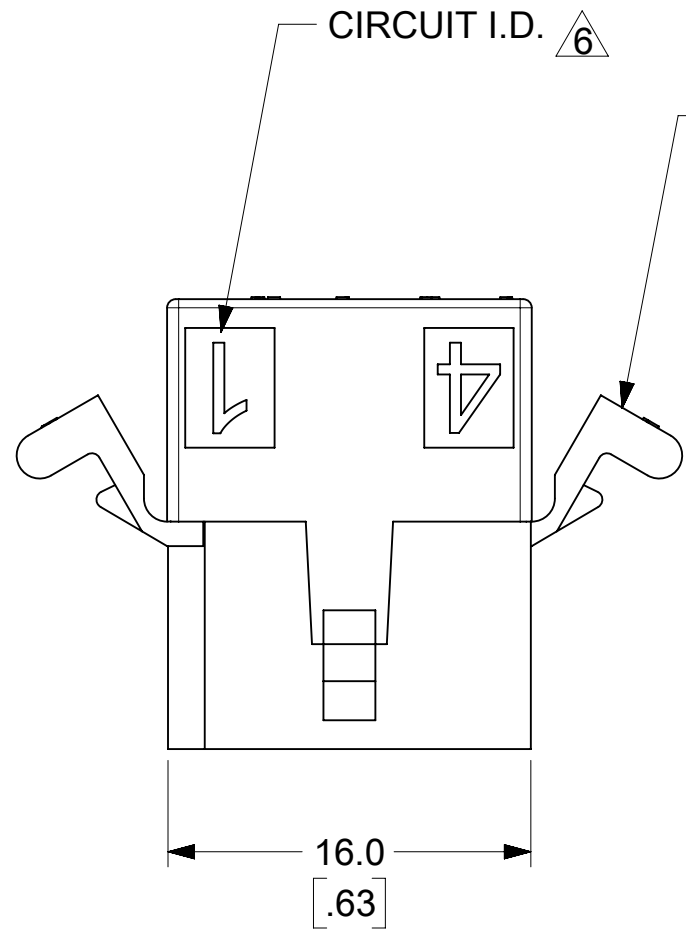
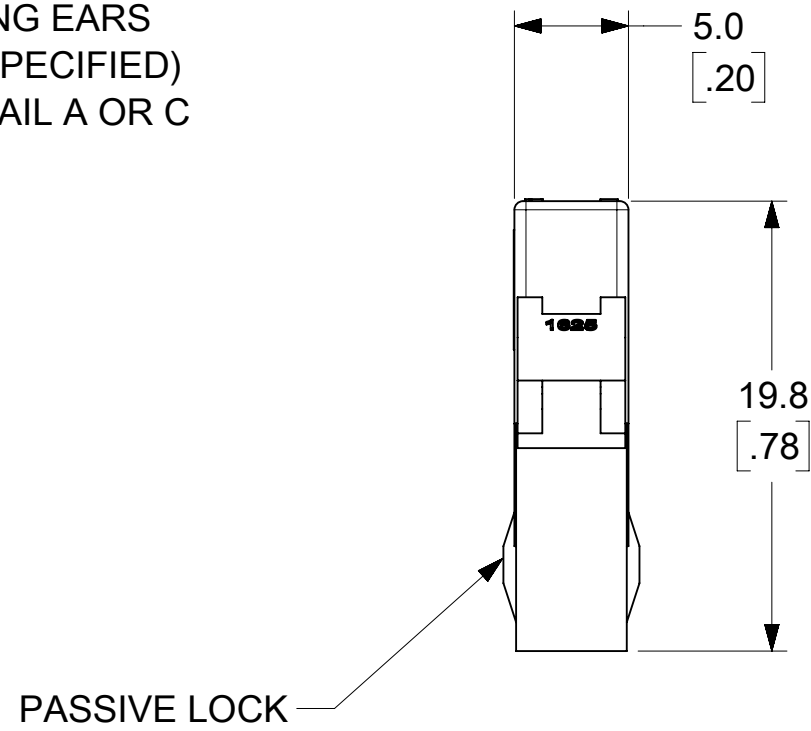


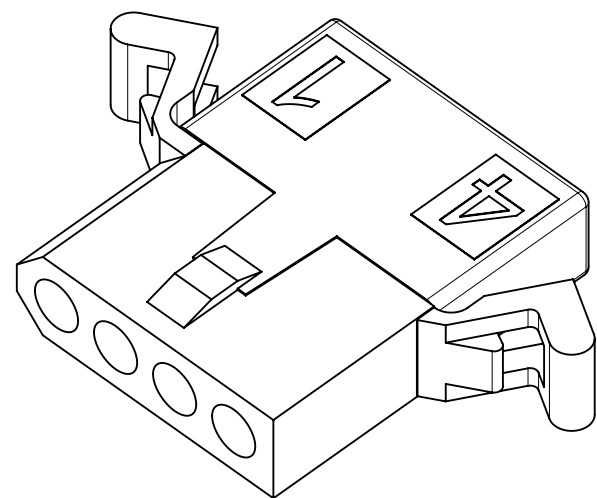
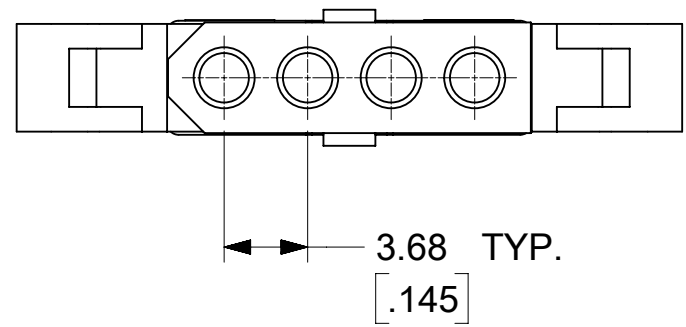
CIRCUIT NUMBERS, (4 PL.)



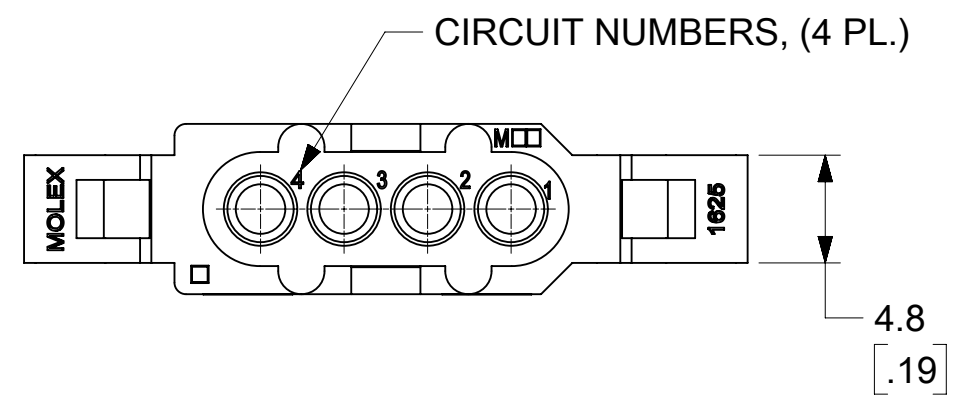
MOUNTING EARS
(WHEN SPECIFIED)
SEE DETAIL A OR C



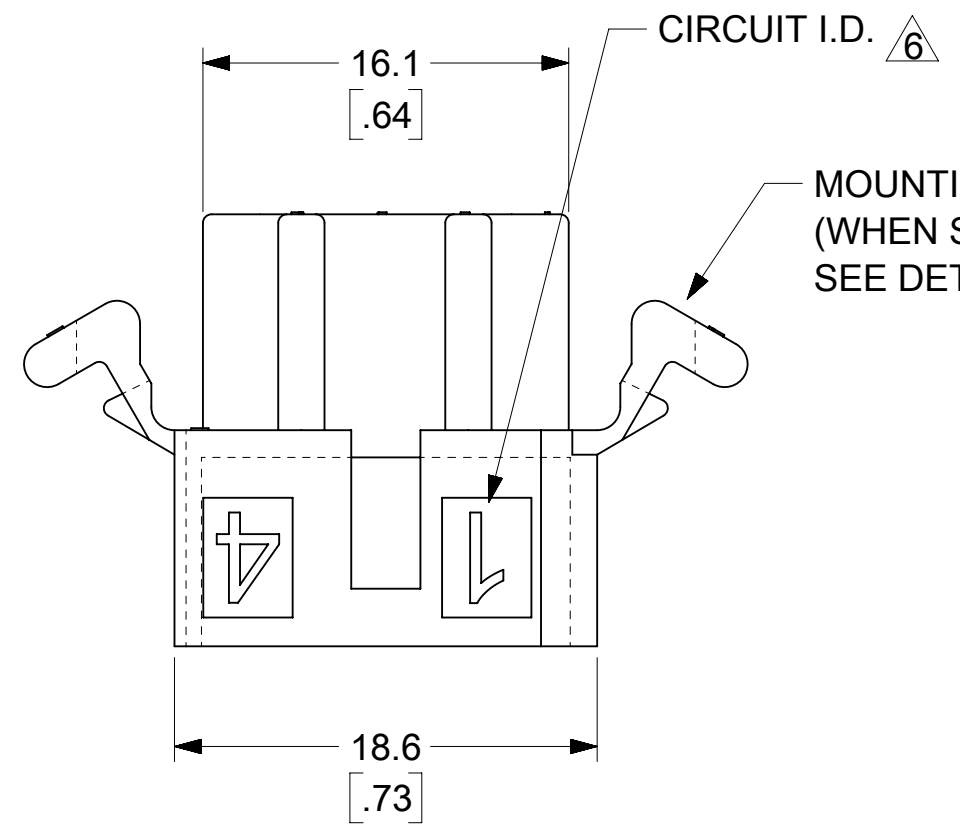
PASSIVE LOCK



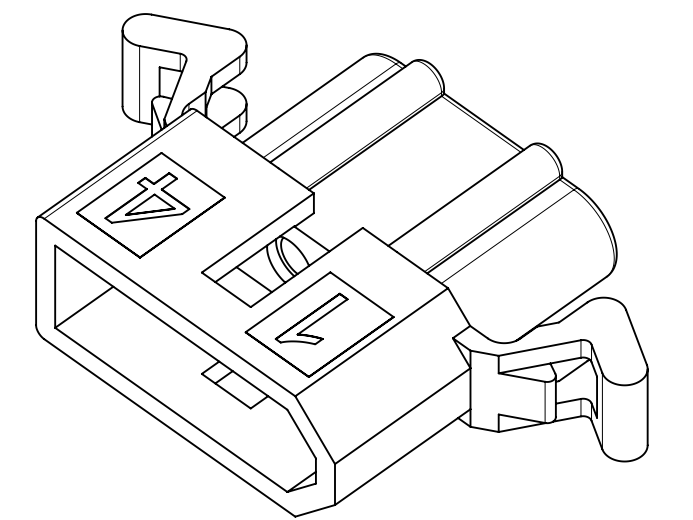
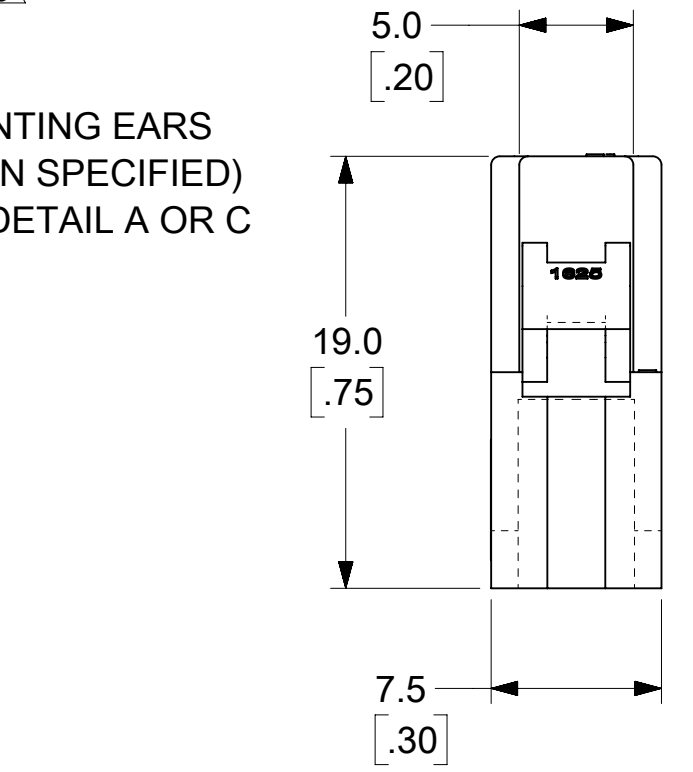
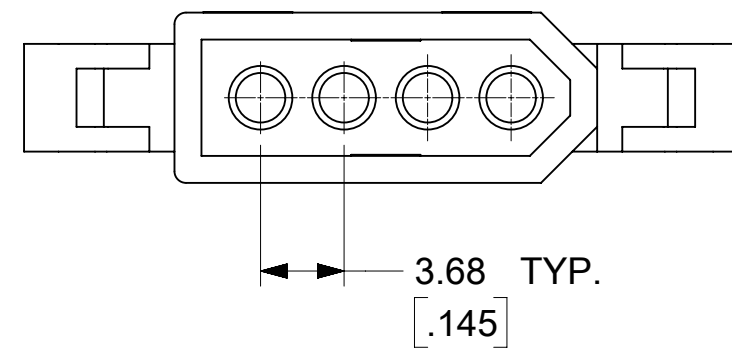
RECEPTACLE HOUSING



CIRCUIT NUMBERS, (4 PL.)



MOUNTING EARS
(WHEN SPECIFIED)
SEE DETAIL A OR C



PLUG HOUSING

QUALITY SYMBOLS	THIS DRAWING CONTAINS INFORMATION THAT IS PROPRIETARY TO MOLEX ELECTRONIC TECHNOLOGIES, LLC AND SHOULD NOT BE USED WITHOUT WRITTEN PERMISSION									
	▽ = 0	▽ = 0	▽ = 0	▽ = 0	▽ = 0	▽ = 0	▽ = 0	▽ = 0	▽ = 0	▽ = 0
RELEASED	2017/08/09	2017/09/26	2017/09/28	GENERAL TOLERANCES (UNLESS SPECIFIED)		DIMENSION UNITS		SCALE		molex®
EC NO: 122520	DRWN: MKIPPER	CHKD: JBELL	REV / APPR: FSMITH	MM	INCH	MM/IN	NTS	.062 4 CKT PLUG AND RECEPTACLE HOUSINGS		
				4 PLACES	±	±	DRWN BY	DATE	PRODUCT CUSTOMER DRAWING	
				3 PLACES	±	± 0.01	ZHARPER	2017/08/11	SERIES	
				2 PLACES	± 0.25	± 0.014	CHK'D BY	DATE	MATERIAL NUMBER	
				1 PLACES	± 0.36	±	MKIPPER	2017/09/25	CUSTOMER	
				0 PLACES	±	±	APPR BY	DATE	1625	
				ANGULAR TOL ±			FSMITH-ROEMER	2017/09/30	SEE CHART	
				DRAFT WHERE APPLICABLE MUST REMAIN WITHIN DIMENSIONS			DRAWING SIZE	THIRD ANGLE PROJECTION	DOCUMENT NUMBER	
							C		16250400-SD	
									DOC TYPE	DOC PART
									PSD	000
										SHEET NUMBER
										1 OF 2

PLUG		
PART NO.	ENG. NO.	
03-06-2041	1625-4P	
46999-0267	1625-4P-1	
03-06-7041	1625-4PBK	OBSOLETE
03-06-2042	1625-4P1	
03-06-7042	1625-4P1BK	
46999-0355	1625-4P2	
NOT TOOLED	1625-4P2BK	
46999-0353	1625-4P2-1	

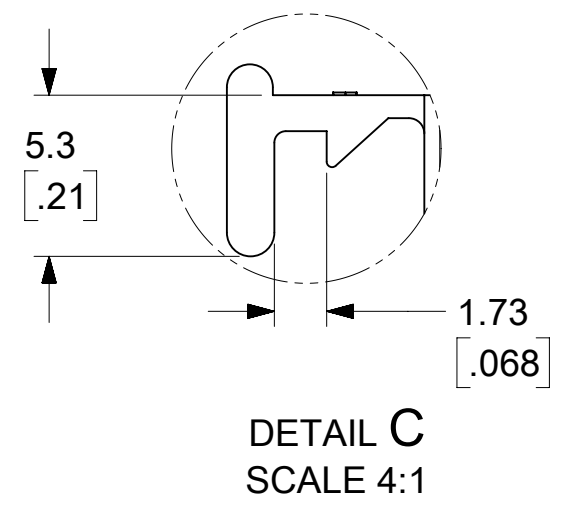
RECEPTACLE		
PART NO.	ENG. NO.	
03-06-1041	1625-4R	
03-06-6041	1625-4RBK	OBSOLETE
03-06-1042	1625-4R1	
03-06-6042	1625-4R1BK	
50-29-1758	1625-4R2	
46999-0266	1625-4R2-1	
46999-0354	1625-4R1-1	

LEGEND:
 1625-4 * * * - *
 CIRCUIT SIZE
 R = RECEPTACLE
 P = PLUG

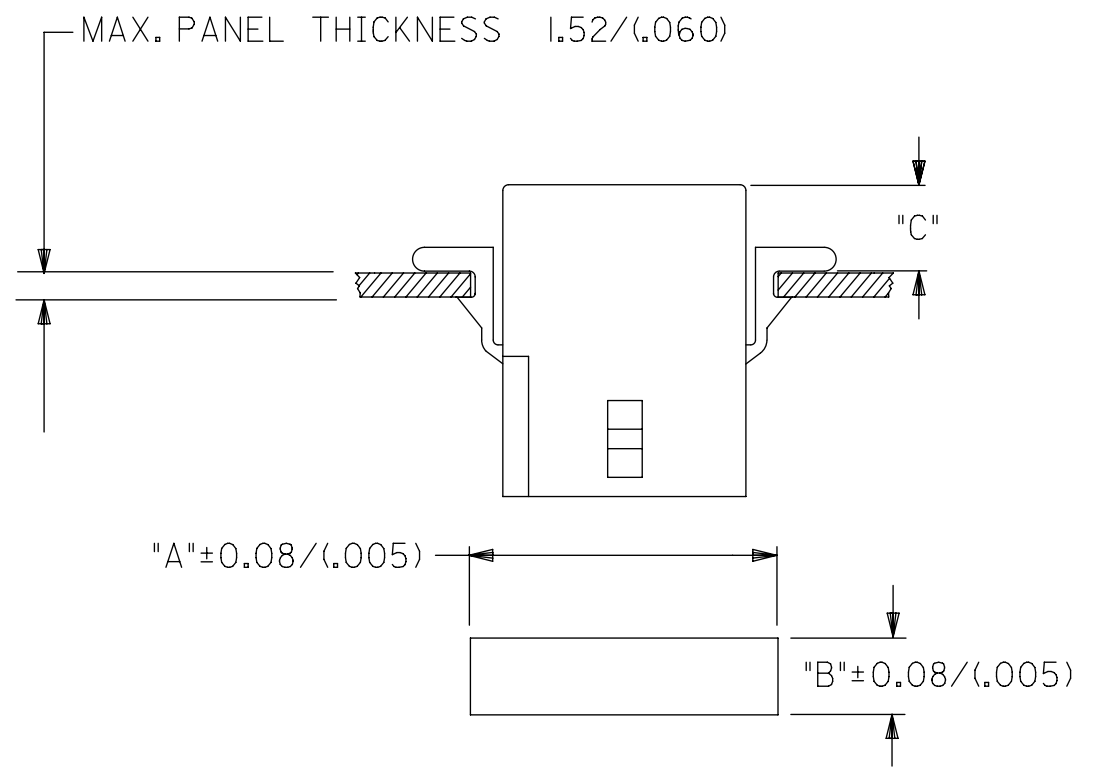
BLANK = WITH STANDARD MTG. EARS
 1 = WITHOUT EARS
 2 = WITH PREBENT MTG. EARS

BLANK = NOT DYED
 AM=AMBER BK=BLACK BU=BLUE
 BN=BROWN GY=GRAY GN=GREEN
 OR=ORANGE RD=RED YW=YELLOW

BLANK = MATERIAL CODE A
 1 = MATERIAL CODE B

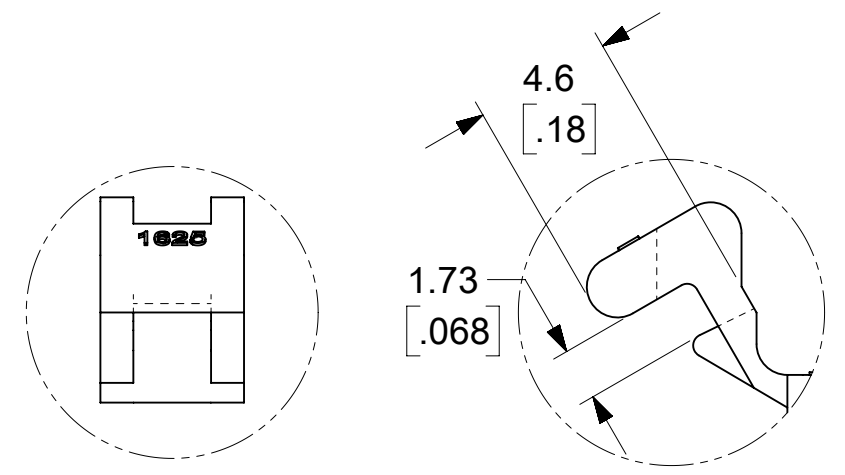


DETAIL C
 SCALE 4:1
 STANDARD MOUNTING EARS



RECOMMENDED PANEL OPENING

HOUSING	DIM. "A"	DIM. "B"	"C" PREBENT EAR	"C" STANDARD EAR
PLUG	21.97/ (.865)	7.92/ (.312)	4.8/ (.19)	4.6/ (.18)
RECEPT.	19.94/ (.785)	6.60/ (.260)	5.3/ (.21)	5.1/ (.20)



DETAIL B
 SCALE 4:1

DETAIL A
 SCALE 4:1

PREBENT MOUNTING EARS

- NOTES:**
- MATERIAL:
 A = NYLON TYPE 6/6, UL94V-2, COLOR: NATURAL (TRANSLUCENT)
 B = NYLON PA6, UL94V-2, COLOR: NATURAL (WHITE)
 GLOW WIRE CAPABLE PER IEC 60335-1
 - FINISH: N/A
 - THIS PRODUCT COMPLIES WITH MOLEX PRODUCT SPECIFICATION PS-02-06
 - PACKAGING: PK-1625-003.
 - HOUSING FOR USE WITH MOLEX .062/(1.57) DIA. SERIES TERMINALS.
 - CIRCUIT I.D. NUMBERS ON SIDE OF HOUSING APPEAR ON PARTS FROM TOOLS BUILT AFTER 8/10/92. PARTS FROM TOOLS BUILT BEFORE THIS DATE WILL HAVE CIRCUIT I.D. RIBS ON HOUSING.
 - PARTS CONFORM TO CLASS 'B' REQUIREMENTS OF COSMETIC SPECIFICATION PS-45499-002 EXCEPT MATERIAL OPTION B PARTS MEET CLASS 'C' FOR SINK.
 - THIS DRAWING REPLACES SD-1625-4*.

THIS DRAWING CONTAINS INFORMATION THAT IS PROPRIETARY TO MOLEX ELECTRONIC TECHNOLOGIES, LLC AND SHOULD NOT BE USED WITHOUT WRITTEN PERMISSION

QUALITY SYMBOLS ▽ = 0 ▽ = 0 ▽ = 0 ▽ = 0 ▽ = 0 ▽ = 0 ▽ = 0 ▽ = 0 ▽ = 0 ▽ = 0 ▽ = 0 ▽ = 0 ▽ = 0 ▽ = 0	EC NO: 122520 DRWN: MKIPPER CHKD: JBELL REV / APPR: FSMITH	2017/08/09 2017/09/26 2017/09/28	GENERAL TOLERANCES (UNLESS SPECIFIED) MM INCH 4 PLACES ± ± 3 PLACES ± ± 0.01 2 PLACES ± 0.25 ± 0.014 1 PLACES ± 0.36 ± 0 PLACES ± ± ANGULAR TOL ± DRAFT WHERE APPLICABLE MUST REMAIN WITHIN DIMENSIONS	DIMENSION UNITS: MM/IN SCALE: NTS DRWN BY: ZHARPER DATE: 2017/08/11 CHK'D BY: MKIPPER DATE: 2017/09/25 APPR BY: FSMITH-ROEMER DATE: 2017/09/30 DRAWING SIZE: C THIRD ANGLE PROJECTION	
	.062 4 CKT PLUG AND RECEPTACLE HOUSINGS				
	PRODUCT CUSTOMER DRAWING				
	SERIES: 1625	MATERIAL NUMBER: SEE CHART	CUSTOMER:		
	DOCUMENT NUMBER: 16250400-SD	DOC TYPE: PSD	DOC PART: 000	SHEET NUMBER: 2 OF 2	