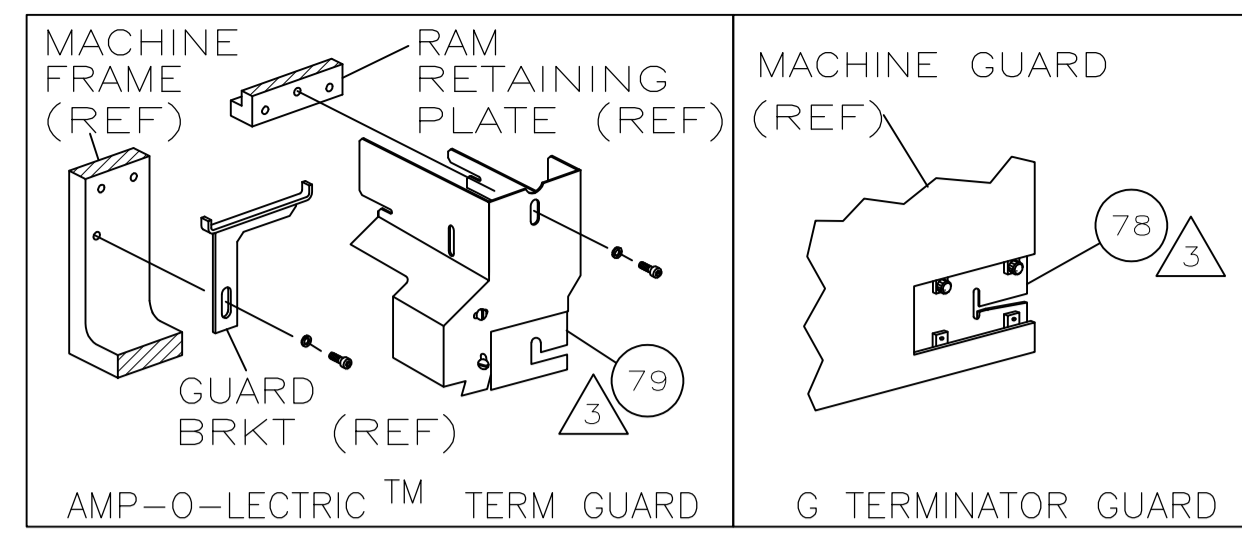


THIS DRAWING IS UNPUBLISHED. RELEASED FOR PUBLICATION.

© COPYRIGHT BY TYCO ELECTRONICS CORPORATION. ALL INTERNATIONAL RIGHTS RESERVED.

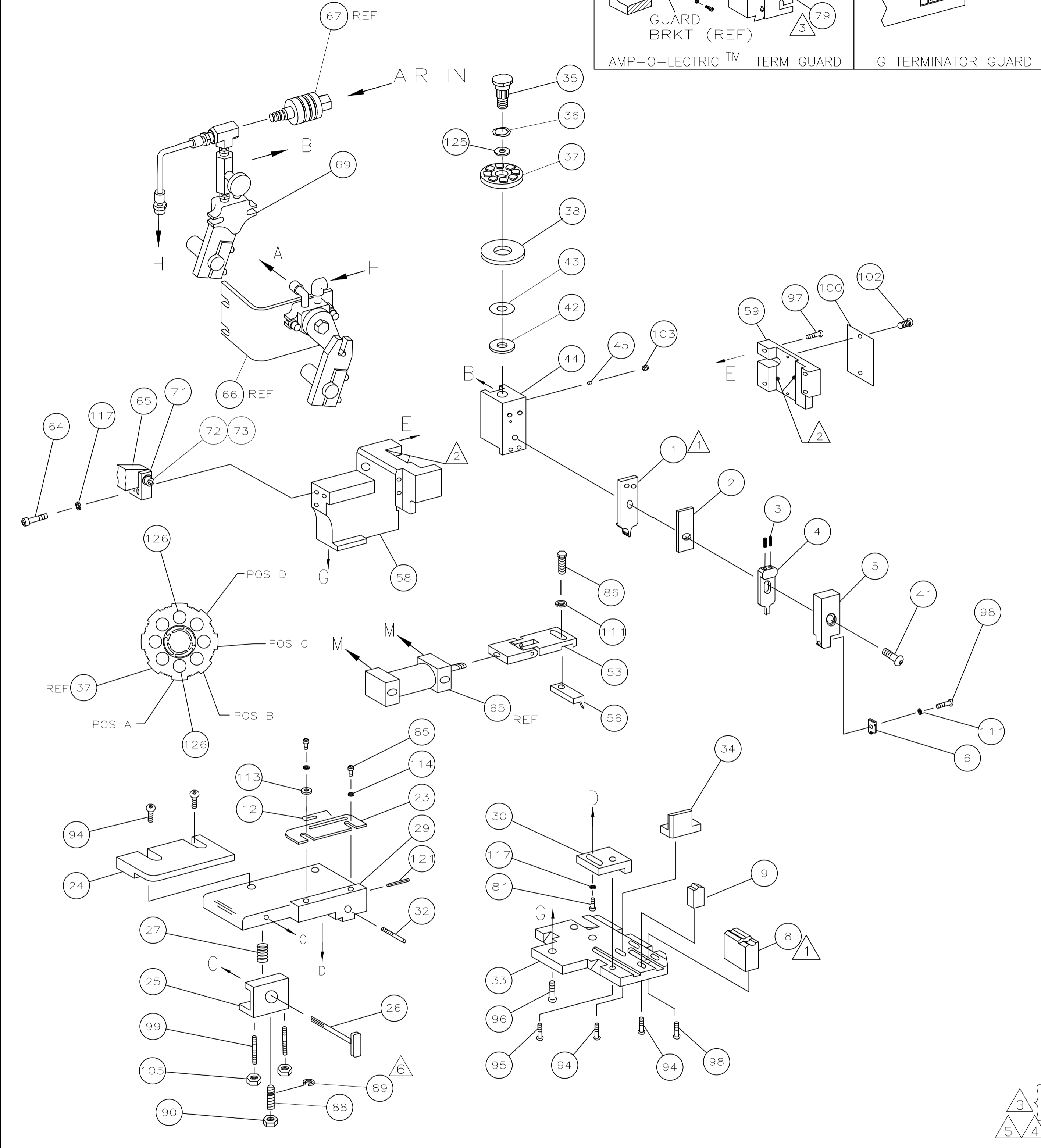
PART NUMBER	REV	FIRST USED
680315-1	G	122500-1
680315-2	G	565435-5
680315-3	G	354500-1



TERMINAL NAME: TUBULAR END-SLEEVE W/PLASTIC SLEEVE					
CRIMPING DATA					
WIRE STRIP LENGTH	TERM APPL SPEC	FEED	APPL INSTRUCTION	SET UP GAGE	LAYOUT
966379					
966387					
1241004					
1-966300-8					
966904					
PAD LTR		CRIMP HEIGHT		WIRE SIZE	
A	.053 ±.002	[1.35 ±0.05mm]	2.5mm ²		
B	NOT		USED		
C	NOT		USED		
D	NOT		USED		
CRIMP		SIZE	TYPE	RANGE	
WIRE		.110 [2.79mm]	D	2.5mm ²	
INSUL		-	-	-	
WIRE STRIP LENGTH	TERM APPL SPEC	FEED	APPL INSTRUCTION	SET UP GAGE	LAYOUT
-	NONE	5mm	408-8040	458637-1	L1776

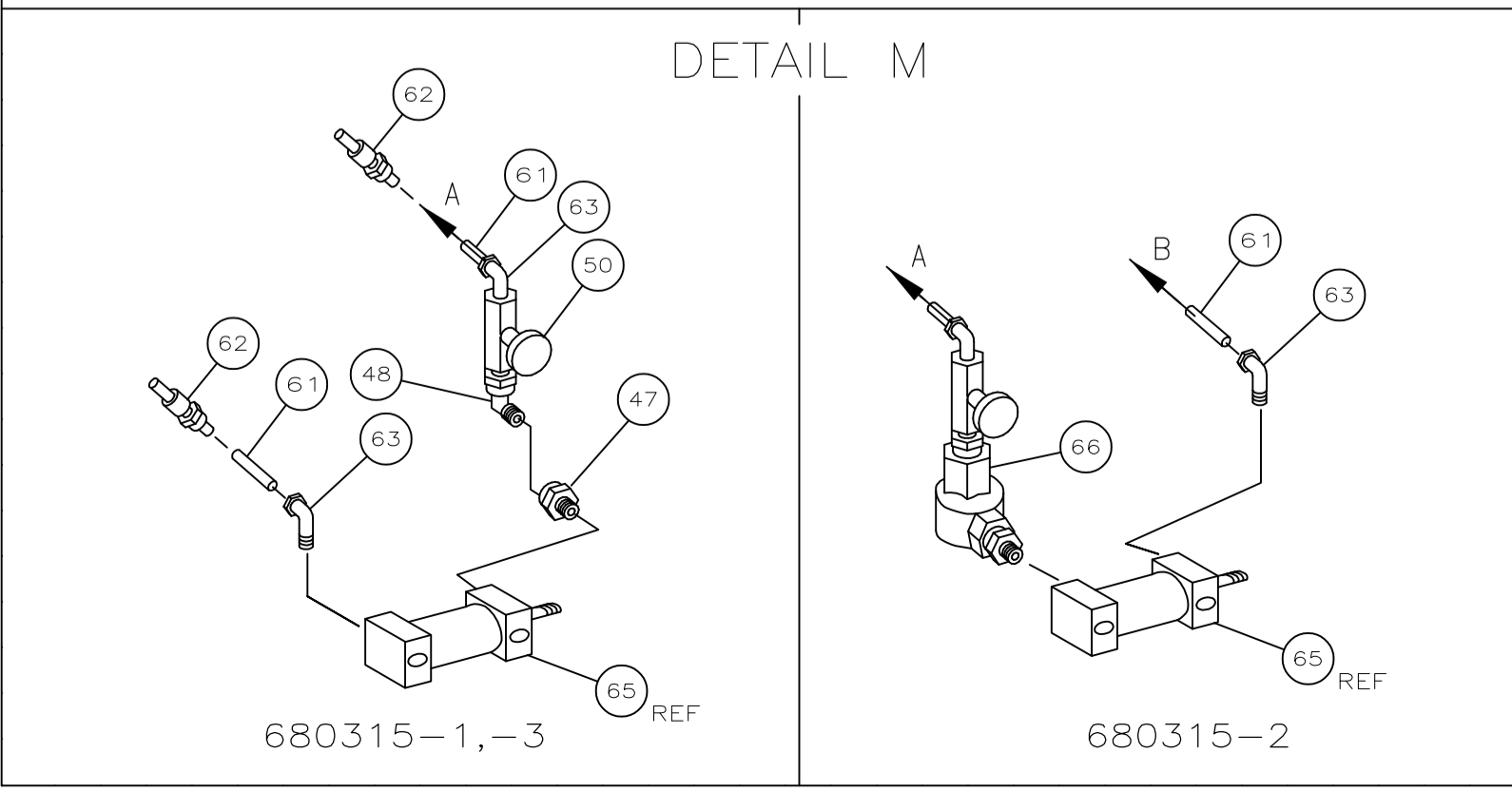
REVISONS		DATE	BY	APPV
A	66	4-2009	MY	TE

REV	DESCRIPTION	DATE	BY	APPV
-1	LEADMAKER	AIR FEED		
-2	BENCH MODEL K	AIR FEED		
-3	BENCH MODEL G	AIR FEED		



QTY	REQD	PER ASSY	PART NO	DESCRIPTION	ITEM NO
					129
					128
					127
2	2	2	1-354779-4	PIN, WIRE DISC (.3060)A	126
1	1	1	986950-1	WASHER, FLAT PRECISION	125
1	1	1	217238-1	GENERAL INSTRUCTION PACKAGE	124
1	1	1	4088040	SF APPL INST 408-8040	123
					122
1	1	1	4-21028-0	PIN,SLT SPR(Ø.093x.75)ST GDE PL	121
					120
					119
					118
3	3	3	21024-5	WASHER, LOCK(#10)ADJ BLOCK	117
					116
					115
2	2	2	21024-2	WASHER,LOCK(#4)FRONT STP GUIDE	114
1	1	1	21055-4	WASHER,FLAT(#4)FRONT STP GUIDE	113
					112
1	1	1	21024-4	WASHER,LOCK(#8)HOLDER	111
					110
					109
					108
					107
					106
2	2	2	21021-4	NUT, 10-32, DRAG	105
					104
1	1	1	21009-2	SCR,SKT SET(1/4-20x.25 LW)RAM	103
2	2	2	21017-2	SCR,DRIVE(#2x.19)ID PLATE	102
					101
1	1	1	461264-1	PLATE, IDENTIFICATION	100
2	2	2	5-21006-9	STUD (10-32x1.25) DRAG	99
2	2	2	22733-8	SCR,BHC(8-32x.38 LW)ANVIL	98
4	4	4	2-21002-9	SCR,BHC(10-32x.75)CAP	97
3	3	3	2-22733-8	SCR,BHC(1/4-20x.62)HSG	96
1	1	1	2-21002-7	SCR,BHC(10-32x.50)SG ADJ BLK	95
6	6	6	2-21002-2	SCR,BHC(8-32x.50)TERM H DWN	94
					93
					92
					91
1	1	1	22202-1	NUT, JAM, 1/4-20	90
1	1	1	1-21986-3	CLIP, E-RING	89
1	1	1	1490895-1	SCR,SKT SET(1/4-20x.75)MOD	88
					87
1	1	1	2-22603-1	SCR,HEX HD(8-32x.38)FEED FINGER	86
2	2	2	1-21000-4	SCR,SHC(4-40x.38)F ST GUIDE	85
					84
					83
					82
1	1	1	3-21000-4	SCR,SHC(10-32x.38)SG ADJ BL	81
					80
-	1	-	462992-7	GUARD ASSY	79
REF	-	-	679532-1	INSERT, GUARD	78
-	-	1	662516-1	WIRE FUNNEL ASSEMBLY	77
					76
					75
					74
1	1	1	21024-8	WASHER, LOCK (3/8)	73
1	1	1	3-21001-5	SCR,SHC(3/8-16x1.00)	72
1	1	1	459610-3	MOUNT, FEED BRACKET	71
-3	-2	-1	U/M		
QTY	REQD	PER ASSY	PART NO	DESCRIPTION	ITEM NO

QTY	REQD	PER ASSY	PART NO	DESCRIPTION	ITEM NO	
					70	
-	1	-		455350-1	AIR BLAST ASSY	69
					68	
-	REF	-		24042-2	VALVE, SHUT OFF	67
-	1	-		692655-1	AIR FEED VALVE ASSY	66
1	1	1		461065-4	AIR FEED ASSY (1 INCH)	65
2	2	2		3-21000-9	SCR,SHC(10-32x1.00)AIR ASSY	64
2	1	2		983427-6	ELBOW, SWIVEL 1/8 NPT - 1/4 T	63
2	-	2		23238-1	QUICK DISCONNECT	62
42.00	21.00	42.00	IN	27319-4	TUBING, POLY-FLO Ø.25	61
					60	
1	1	1		454220-1	CAP, RAM	59
1	1	1		454485-1	HOUSING	58
					57	
1	1	1		690542-2	PAWL, FEED	56
					55	
					54	
1	1	1		461062-1	FEED FINGER ASSY	53
					52	
					51	
1	-	1		23054-1	VALVE, FLOW CONTROL	50
					49	
1	-	1		22306-1	ELBOW, STREET, 90°	48
1	-	1		22304-1	NIPPLE, HEX 1/8 NPT	47
					46	
1	1	1		690191-1	PLUG, NYLON	45
1	1	1		455673-2	RAM	44
1	1	1		690125-1	WASHER, LAMINATED	43
1	1	1		690124-1	WASHER, RAM	42
1	1	1		7-21002-9	BOLT, CRIMPER(5/16x1.00)	41
					40	
					39	
1	1	1		690223-2	SPACER, INSULATION DISC	38
1	1	1		354777-1	WIRE DISC, PLASTIC	37
1	1	1		22480-5	WASHER, SPRING	36
1	1	1		690212-1	POST, RAM	35
1	1	1		2-690786-5	SUPPORT, TERMINAL	34
1	1	1		1-455675-0	PLATE, BASE	33
1	1	1		690432-3	SCREW, ADJUSTMENT	32
					31	
1	1	1		455689-1	BLOCK, STRIP GUIDE ADJ	30
1	1	1		356724-1	PLATE, STRIP GUIDE	29
					28	
1	1	1		22282-1	SPRING, DRAG	27
1	1	1		454175-2	LEVER, DRAG RELEASE	26
1	1	1		662151-1	DRAG	25
1	1	1		2-690440-7	GUIDE, STRIP (REAR)	24
1	1	1		1-690487-3	GUIDE, STRIP (FRONT)	23
					22	
					21	
					20	
1	1	1		662150-1	RAMP	9
1	1	1		356748-1	ANVIL	8
					7	
1	1	1		662115-5	BLADE, SHEAR	6
1	1	1		662113-1	CAP, DEPRESSOR	5
1	1	1		662114-1	DEPRESSOR, TERMINAL	4
2	2	2		22278-7	SPRING	3
1	1	1		662116-1	SPACER, CRIMPER	2
1	1	1		356754-1	CRIMPER, WIRE	1
QTY	REQD	PER ASSY	PART NO	DESCRIPTION	ITEM NO	



- 1 RECOMMENDED SPARE PARTS.
- 2 GREASE LIGHTLY.
- 3 GUARD MUST BE IN PLACE WHEN OPERATING APPLICATOR IN A BENCH MACHINE.
- 4 SEE DRAWING FOR COMPONENTS.
- 5 ITEM NOT SHOWN ON ASSEMBLY.

6 THREAD ITEM 88 INTO ITEM 25 AND INSERT ITEM 89 ONTO ITEM 88.

THIS DRAWING IS A CONTROLLED DOCUMENT.

APPROVED: T. ELBIN, 7-29-96

DESIGNED: R.O. WILSON, 7-29-96

CHK: C. FERISMAN, 7-29-96

DATE: 7-29-96

NAME: T. ELBIN

PRODUCT SPEC: SIDE FEED HDM APPLICATOR

APPLICATION SPEC: -

SIZE: A1

SCALE: -

SHEET: 1 of 1

REV: G

CUSTOMER DRAWING

4805 (1/08)