

MATING CONNECTORS:

REF.	DESCRIPTION	PART NUMBER	MFG.
CN-1	INPUT HOUSING TERMINAL	51021-0500 50079-8000	MOLEX
CN-1	INPUT HARNESS	BXC-10549	JKL
CN-2	OUTPUT HOUSING TERMINAL	BHR-03VS-1 SBH-001T-P0.5	JST
CN-2	OUTPUT HARNESS	BXC-10643	JKL

OPERATING CHARACTERISTICS:

INPUT VOLTAGE RANGE: 10.0 Vdc To 14.0 Vdc
 NOMINAL INPUT POWER: 1.8 WATTS
 OUTPUT DIMMING RANGE (R MODE): 33% TO 100%
 OUTPUT DIMMING RANGE (V MODE): N/A
 OPERATING TEMPERATURE RANGE: 0°C TO 60°C
 STORAGE TEMPERATURE RANGE: -20°C TO 70°C

ABSOLUTE MAXIMUM RATINGS:

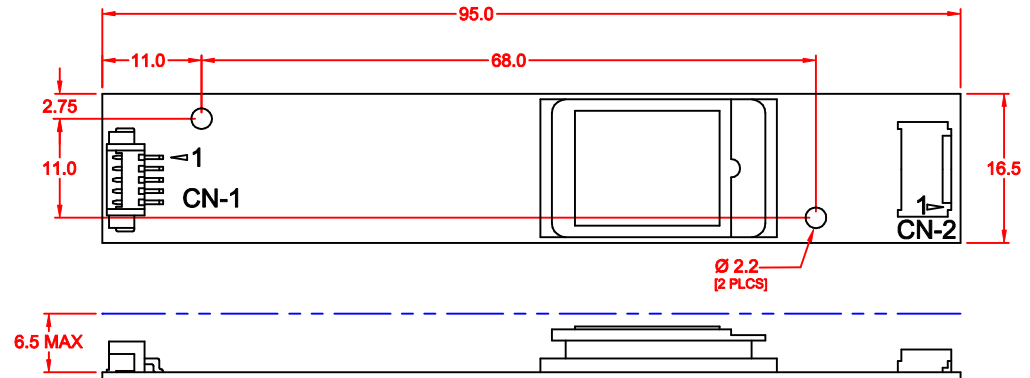
MAXIMUM INPUT VOLTAGE: 16.0 Vdc
 MAXIMUM RELATIVE HUMIDITY: 95%

REV.	DESCRIPTION/ECO NO.	DATE
	ENGR. RELEASED TO CAD	8/5/04

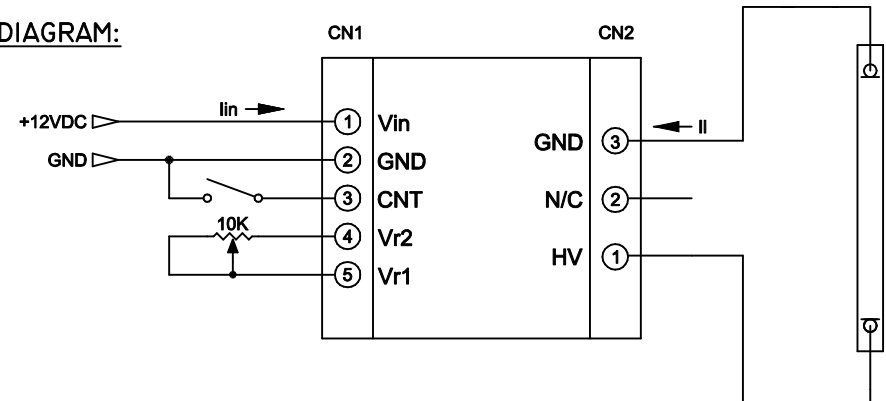
PERFORMANCE SPECIFICATIONS:

DESCRIPTION	SYM	MIN	TYP	MAX	UNITS
INPUT VOLTAGE	V _{IN}	10.0	12.0	13.2	V DC
INPUT CURRENT	I _{IN}	100	150	200	MA DC
OUTPUT VOLTAGE	V _L	900	1000	---	V RMS
OUTPUT CURRENT	I _L	2.5	3.0	3.5	MA RMS
OSC. FREQUENCY	F _o	40	50	60	K HZ

TESTED WITH 1 EACH 3MM X 164MM LAMP, AT 25°C, V_{IN}= 12.0V ± 0.1V.



WIRING DIAGRAM:



CONTROL FUNCTIONS:

CNT (INPUT PIN 3) IS USED AS AN INHIBIT FUNCTION, "GND" EQUALS ON. "+V" OR "OPEN" EQUALS OFF.

R MODE DIMMING: VR1 AND VR2 (INPUT PINS 4 AND 5) ARE USED TO PROVIDE, THE DIMMING FUNCTION, "0" OHMS EQUALS 100% LIGHT OUTPUT, "10K" OHMS EQUALS 33% LIGHT OUTPUT.

NOTE: THE SWITCH AND POTENTIOMETER SHOWN ON THE WIRING DIAGRAM ARE NOT A PART OF THE BXA-12592-3M INVERTER. THESE PARTS ARE AVAILABLE FROM MOST ELECTRONIC PARTS DISTRIBUTORS.

<p>THIRD ANGLE PROJECTION</p>	<p>METRIC</p>	<p>DIMENSIONS ARE IN MILLIMETERS</p>	<p>JKL COMPONENTS CORPORATION</p>				
	<p>TOLERANCE UNLESS OTHERWISE SPECIFIED 1 PL +/- REF. 2 PL +/- ANGLE +/- 0</p>						<p>TITLE 12V DC INPUT, SINGLE OUTPUT, DIMMING CCFL INVERTER</p>
<p>DRAWN BY L. WENGSTROM</p>	<p>APPVD BY J.K.</p>	<p>DATE 8/5/04</p>	<p>SIZE A</p>	<p>FSCM NO. 55335</p>	<p>DRAWING NO.</p>	<p>BXA-12592-3M</p>	
<p>- CAD DRAWING - MANUAL REVISIONS NOT PERMITTED</p>			<p>SCALE NONE</p>	<p>RELEASED DATE 8/5/04</p>	<p>REVISION DATE</p>	<p>REV. NO.</p>	<p>SHEET 1 OF 1</p>