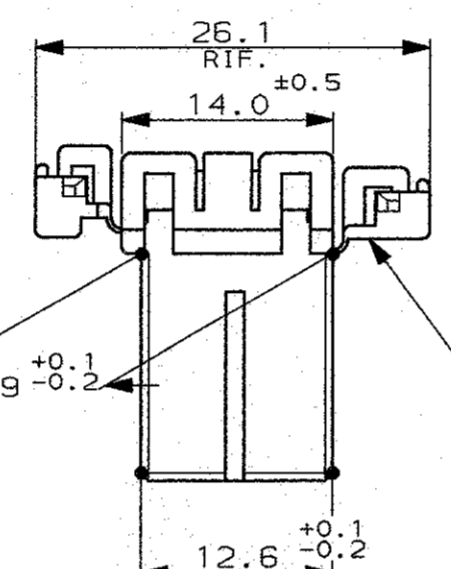
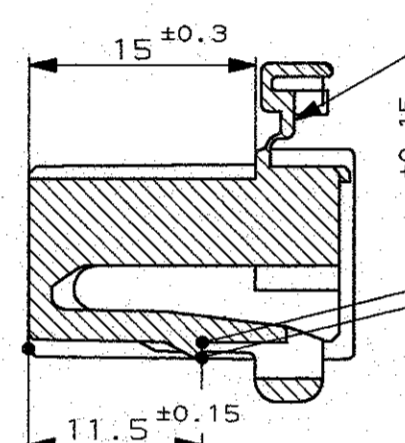
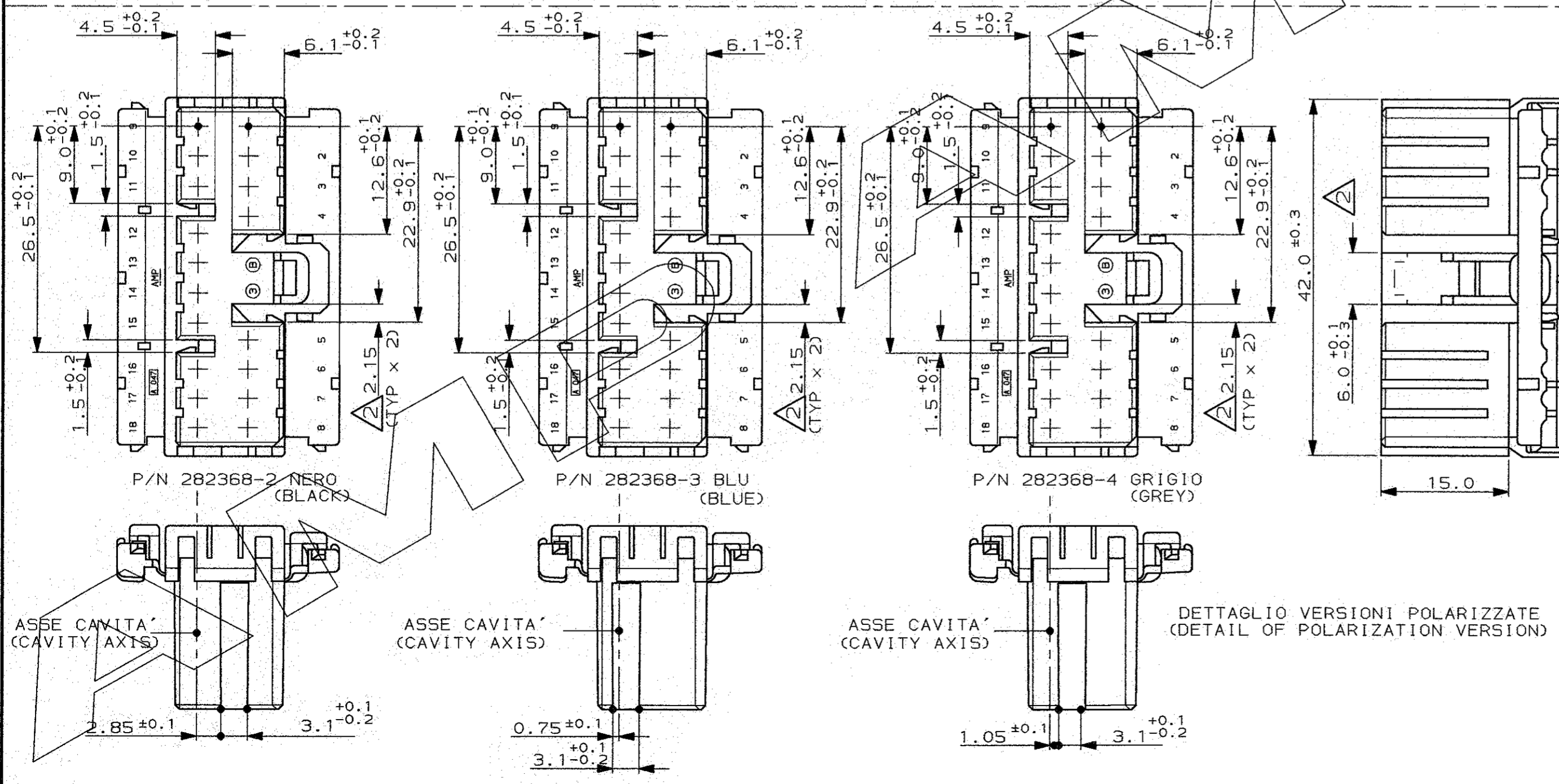


- 1) QUOTA VALIDA SOLO PER VERSIONE 282368-1  
(VALID DIMENSION ONLY FOR 282368-1 VERSION)
- 2) QUOTA VALIDA PER VERSIONI POLARIZZATE P/N 282368-2, -3, -4  
(VALID DIMENSION ONLY FOR P/N 282368-2, -3, -4 VERSION)
- 3) PER RAPPRESENTAZIONE DIMA CONTROPARTE VEDERE FOGLIO 2 DI 2.  
(FOR COUNTERPART DETAIL SEE SHEET 2 OF 2)



THIS INFORMATION IS CONFIDENTIAL AND IS DISCLOSED TO YOU ON CONDITION THAT NO FURTHER DISCLOSURE IS MADE BY YOU TO OTHER THAN AMP PERSONNEL WITHOUT WRITTEN AUTHORIZATION FROM AMP ITALIA S.P.A.

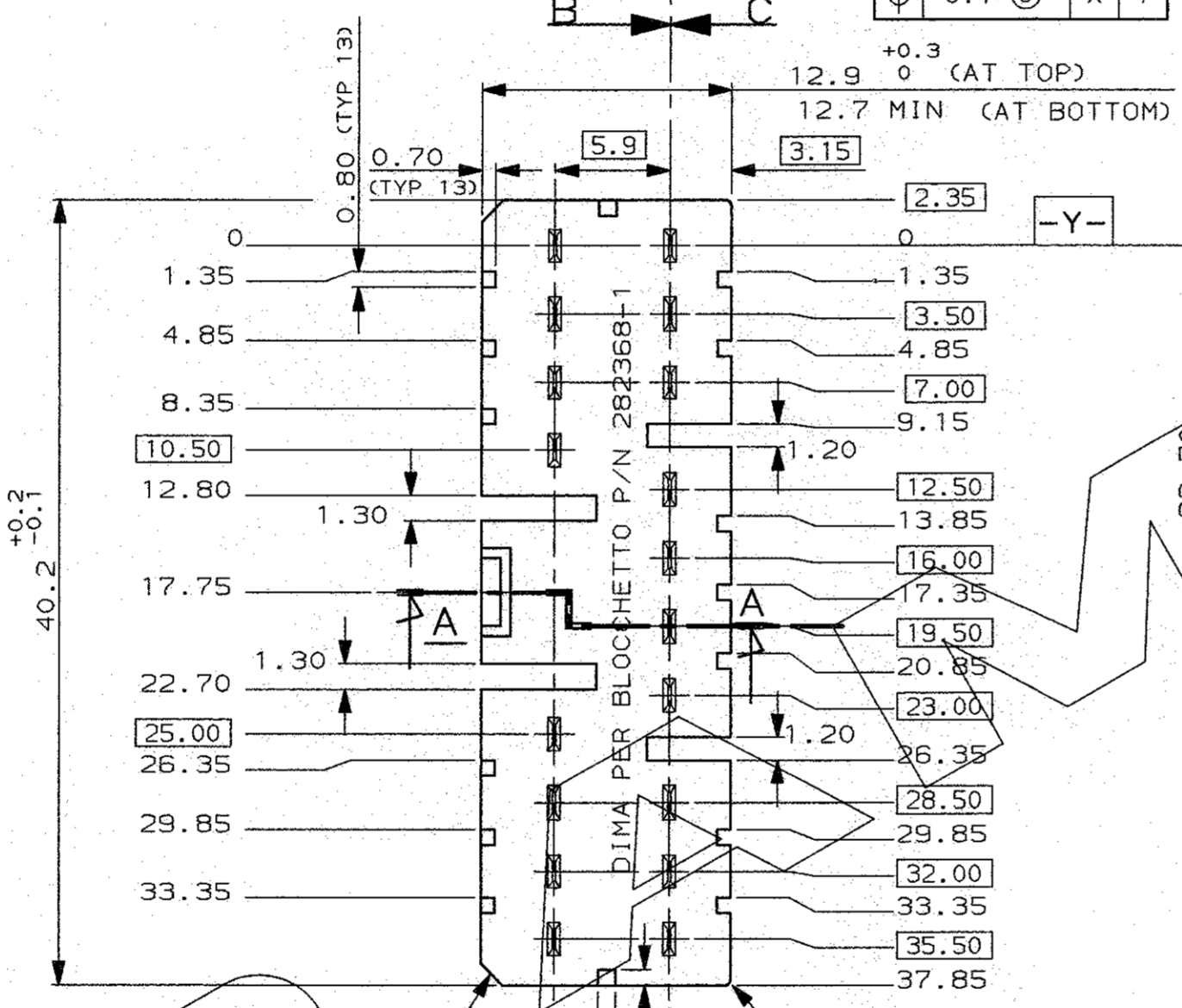
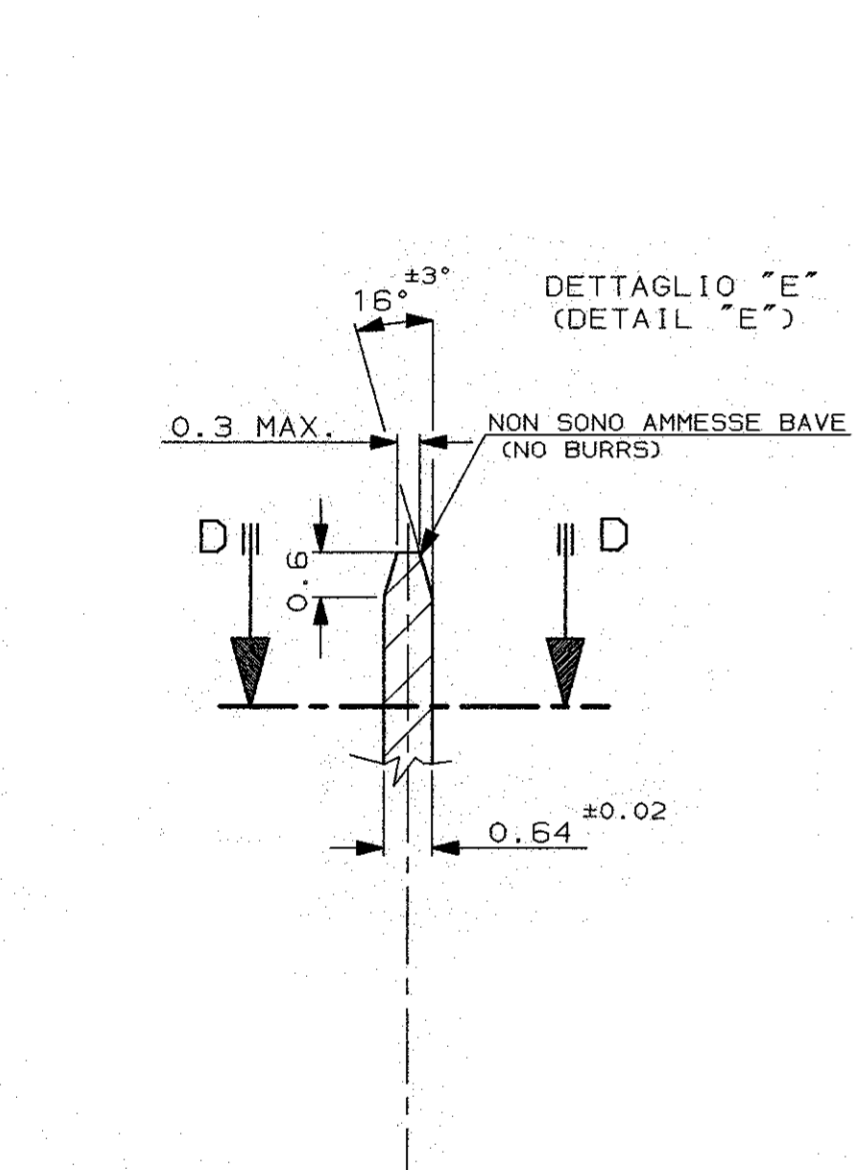
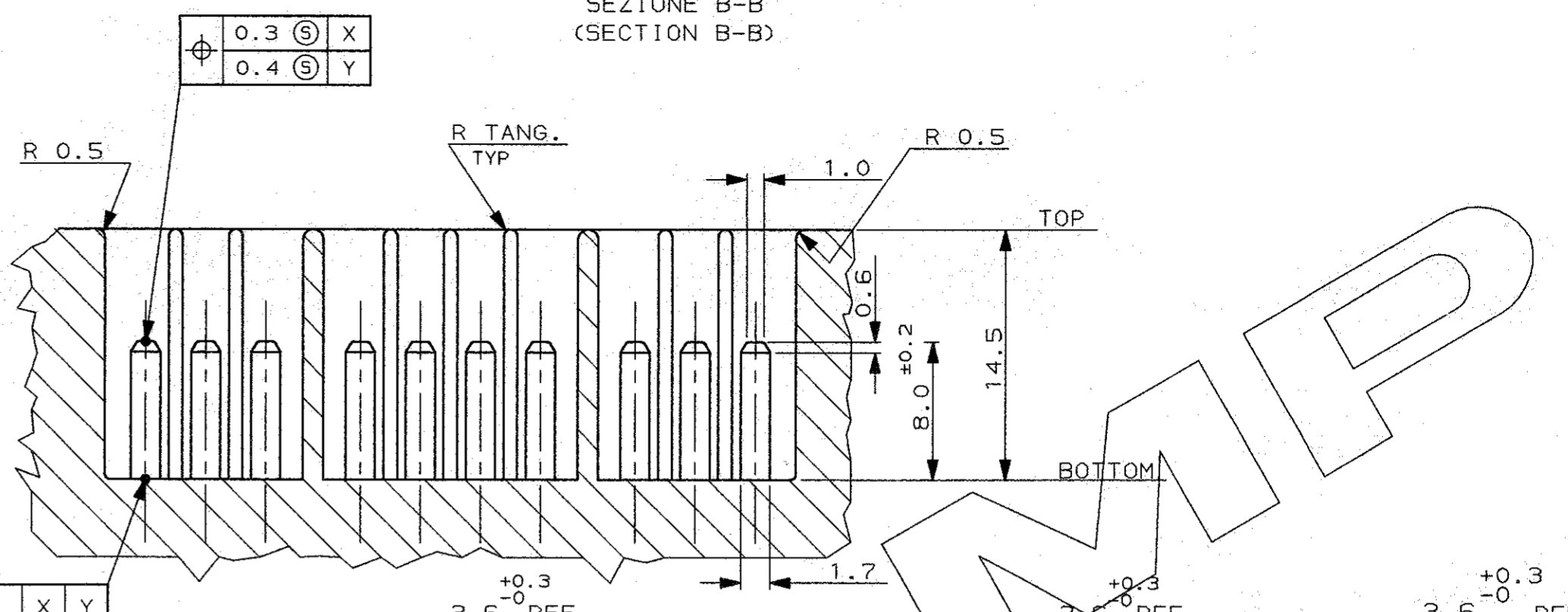
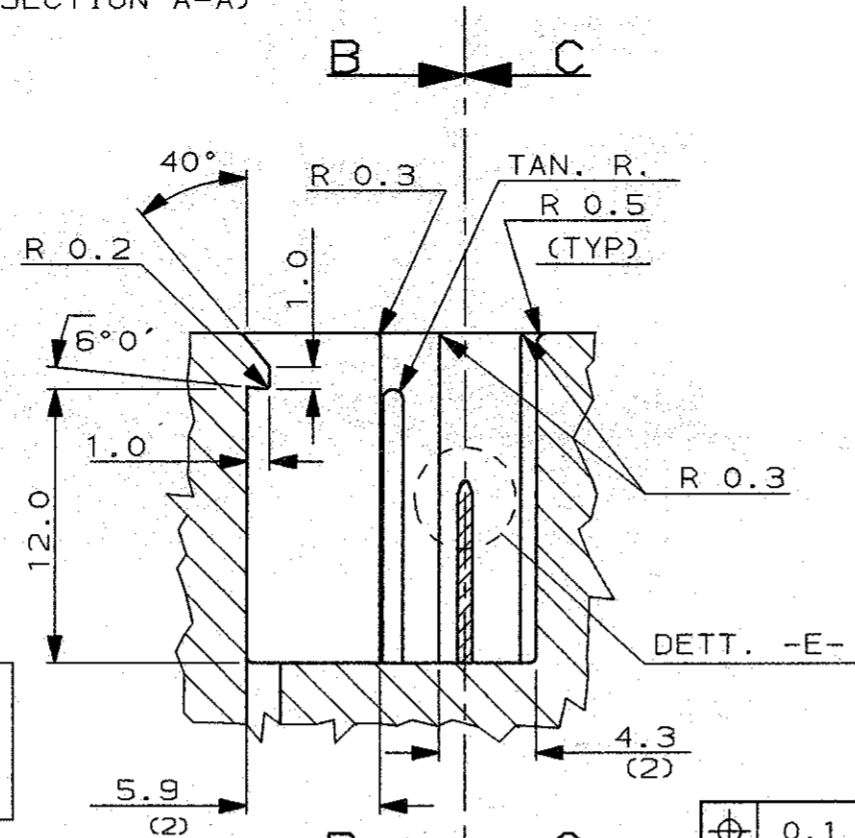
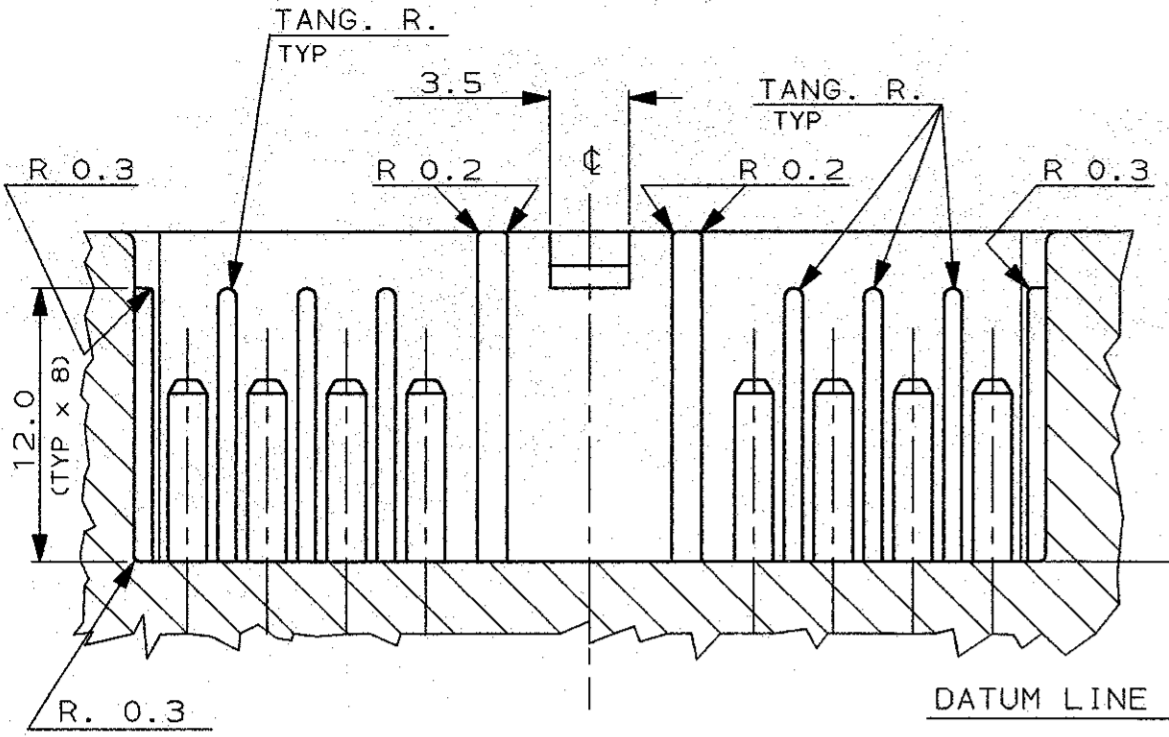


NON DISPONIBILE (NOT AVAILABLE)	282372-4	GRIGIO (GREY)	PBT (PBT UNFILLED)	282368-4
NON DISPONIBILE (NOT AVAILABLE)	282372-3	BLU (BLUE)		282368-3
NON DISPONIBILE (NOT AVAILABLE)	282372-2	NERO (BLACK)		282368-2
282631-1 VERS. ORIZZONTALE (HORIZONTAL VERS.)	282372-1	BIANCO (NATURAL)		282368-1
CONTROP. P.C.B. (P.C.B. HEADER ASSY)	PORTAMASCHI VOLANTE (CAP HOUSING)	COLORE (COLOUR)	MATERIALE (MATERIAL)	NUMERO (PART NUMBER)
CUSTOMER DWG. FOR REFERENCE ONLY		DISEGNO PER CLIENTE SOLO PER RIFERIMENTO		
THIS DRAWING IS UNPUBLISHED		RELEASE FOR PUBLICATION		
© COPYRIGHT 1997 BY AMP INCORPORATED, HARRISBURG, PA. ALL INTERNATIONAL RIGHTS RESERVED. AMP PRODUCTS MAY BE COVERED BY U.S. AND FOREIGN PATENT AND/OR PATENT PENDING		19		
TOLLERANZE, SE NON DIVERSAMENTE SPECIFICATO (TOLERANCES, UNLESS OTHERWISE SPECIFIED)		DIAM. ISOLANTE (INS. DIA. RANGE)		
± 0.3		RANGO FILO (WIRE RANGE)		
ANGOLI (ANGLES)		SCALA (SCALE)		
± 2°		2:1		
B1 REVISED PER ECR-13-004824		M.G. 2015 DIS. M. PALMA		DESCRIZIONE (DESCRIPTION) 070 SERIES MULTILOCK* CONN.PLUG HOUSING 18 POSITION (PORTAFEMMINE) DOUBLE ROW
B RELEASED AND REVISED FOR ET00-0249-97		M.P. 97 18 JUN '97		
2 AGG. CODICE FIAT		R.M. 93 C. TARTARI		LOC. SIZE NUMERO (DWG NO)
1 AGGIORNATO		R.M. 93 18 JUN '97		
REV.	REVISIONI (REVISION RECORD)	DIS. DATA (DR)	APP. (APP.)	REV. FOGLIO (SHEET)
				I A2 C-282368 B1 11 DI 2

SEZIONE A-A  
(SECTION A-A)

SEZIONE C-C  
(SECTION C-C)

SEZIONE B-B  
(SECTION B-B)



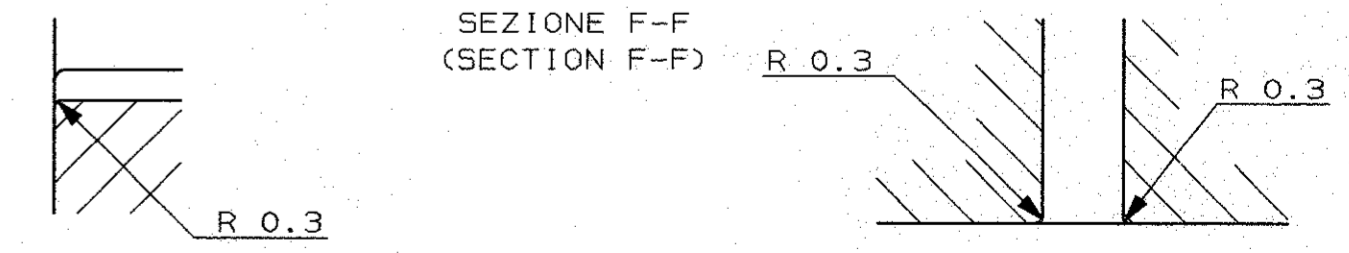
SEZIONE D-D  
(SECTION D-D)

SEZIONE G-G  
(SECTION G-G)

SEZIONE F-F  
(SECTION F-F)

TAB. OTTONE TEMpra 4, STAGNATO  
(TAB: BRASS TEMPER 4, TIN PLATED)

CONIARE LE BAVE DI TRANCIAURA  
(NO TRIMMING BURRS ADMITABLE)



THIS INFORMATION IS CONFIDENTIAL AND IS DISCLOSED TO YOU ON CONDITION THAT NO FURTHER INFORMATION IS MADE BY YOU TO OTHER THAN AMP PERSONNEL WITHOUT WRITTEN AUTHORIZATION FROM AMP ITALIA S.P.A.

DO NOT SCALE		UNLESS OTHERWISE SPECIFIED	
REMOVE BURRS BREAK EDGES		METRIC (mm) INCHES (")	
SURFACE TEXTURE			
G.T.Y. REQ. 'D' PER UNIT		EUROPEAN PROJECTION THIRD ANGLE PROJECTION	
MATH.		0 DEC. PLACE ±0.3 1 DEC. PLACE ±0.1 2 DEC. PLACE ±0.05	
HT. TR.		ANGLES ±0°30'	
FINISH		SCALE 3:1	
DR.		TE Connectivity	
CHR.		NAME 070 SERIES MULTILOCK* CONN 18 POS. DOUBLE ROW (DIME DI MONTAGGIO)	
REV. LTR.		LOC. SIZE SHEET DWG. NO. 1 A2 2 OF 2 C-282368	
REVISION RECORD		REV. DATE E.C.N.	