

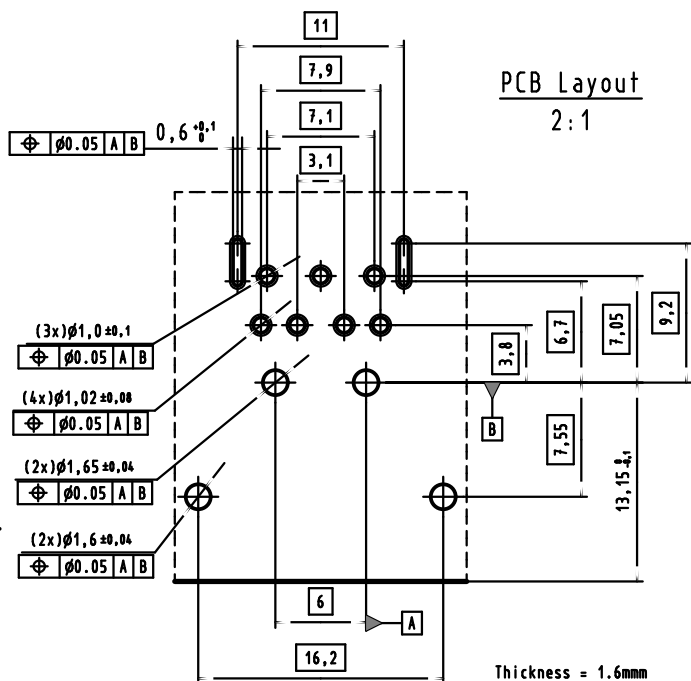
1 2 3 4 5 6

A

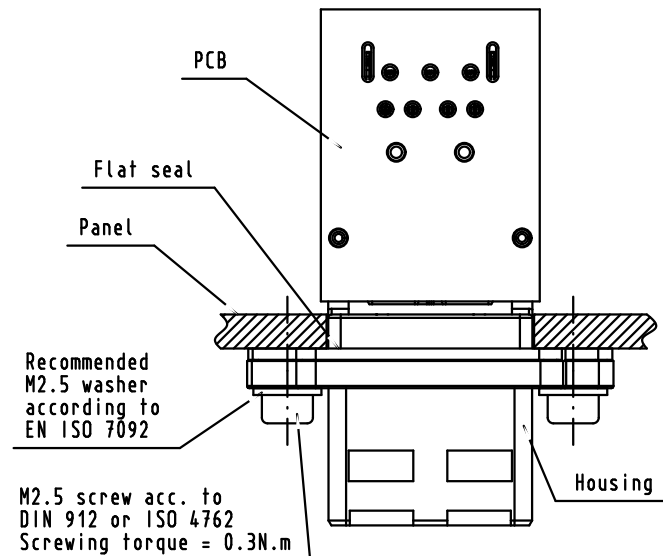
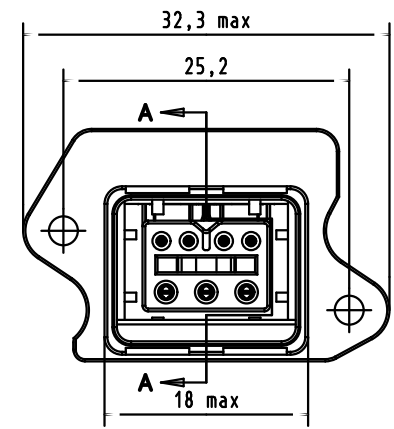
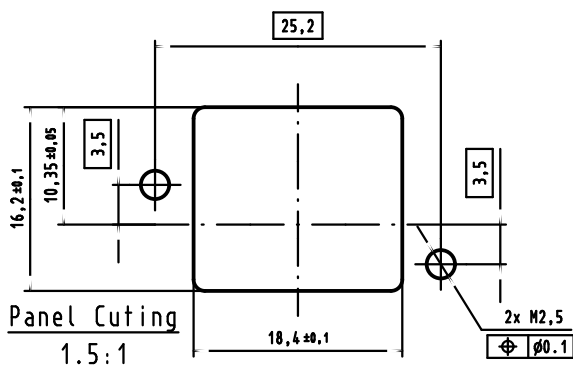
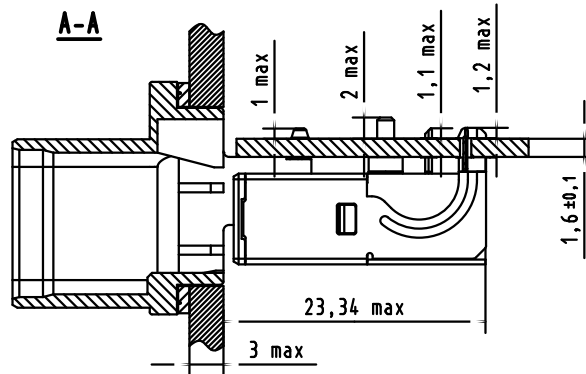
B


C

D



Connector pitch on pannel :
Axis X = 27 mm
Axis Y = 21 mm



			Dot.	Name	 RJ industrial - Hybrid Push-Pull Angled receptacle set M2.5 screws All Dim. in mm Orig. Size DIN A4	Maßstab/ Scale	
			Detail.	13Nov2008		ED	1.5:1
			Insp.				
			Stand.				
35411	13Nov2008	ED	HARTING EURL F-95972 Paris			TB 09 45 245 1310 Sub.	Blatt/ Page
Mod.	Dot.	Name					1 / 1