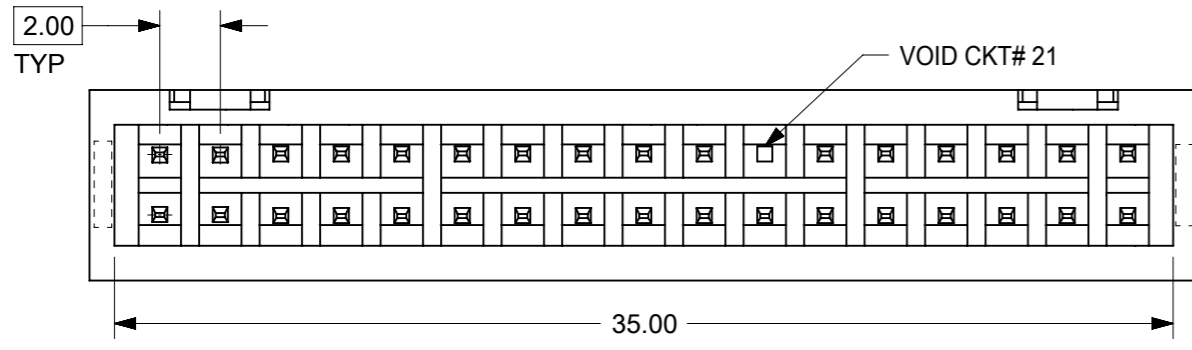
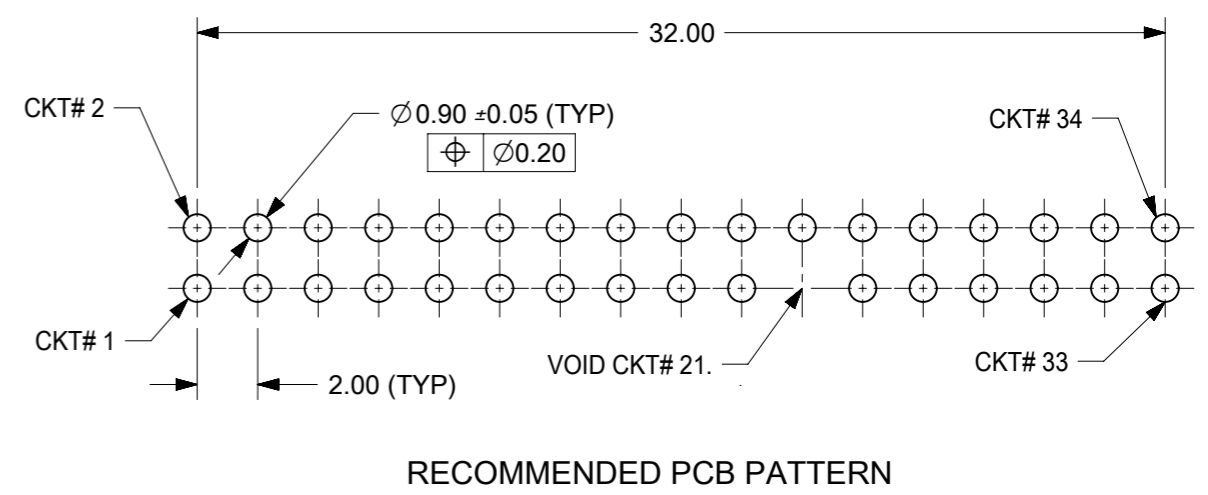
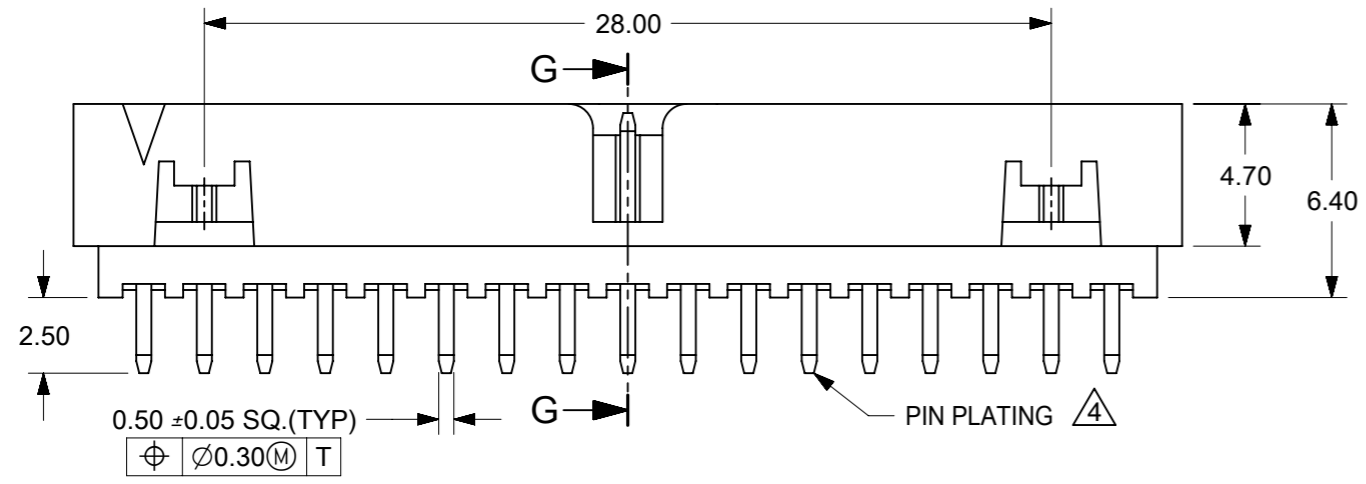
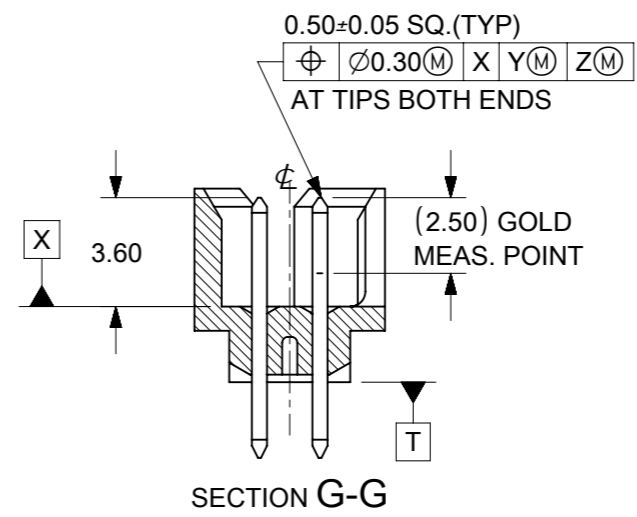
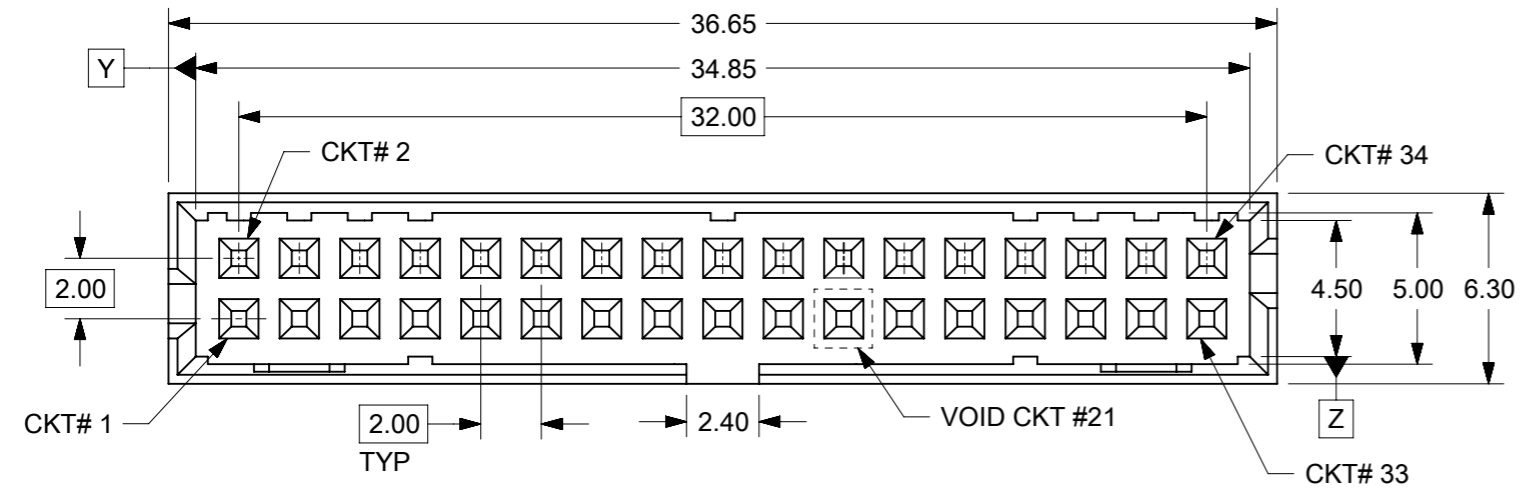
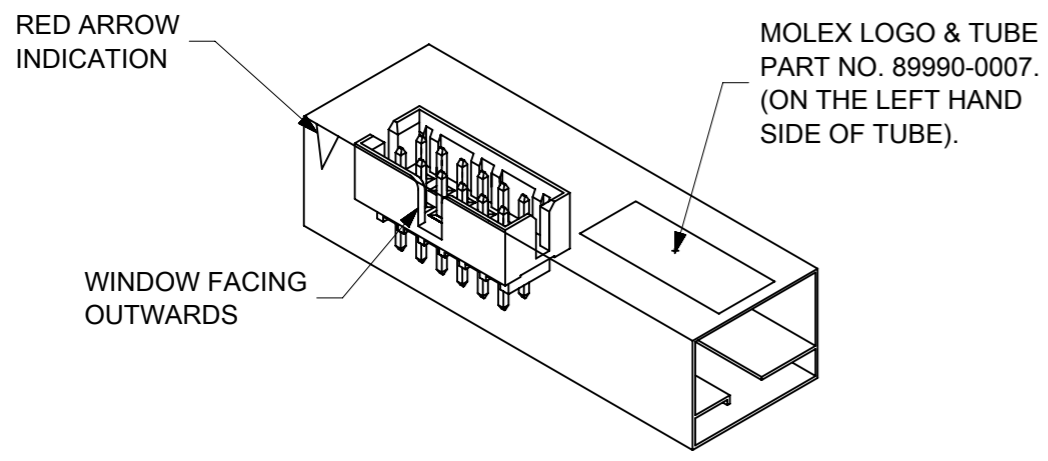


ASSEMBLY PART NO.	CKT	VOID CKT
87831-7000	34	21
87831-7100	34	21



- NOTES :
- MATERIALS:
HOUSING : 30%GF, NYLON 46, UL94V-0, COLOR BLACK
PIN : 0.50mm SQ. PHOSPHOR BRONZE.
 - PRODUCT SPECIFICATION PS-87831-027 APPLIES.
 - PIN PUSHOUT FORCE : 0.91 kg MIN. IN EITHER DIRECTION.
 - PLATING OPTION:
87831-7000 - 0.38µm/15µin GOLD IN CONTACT AREA AND 1.88µm/75µin MIN. TIN IN SOLDER TAIL AREA OVER 1.27µm/50µin MIN. NICKEL OVERALL.
87831-7100 - GOLD FLASH IN CONTACT AREA AND 1.88µm/75µin MIN. TIN IN SOLDER TAIL AREA OVER 1.27µm/50µin MIN. NICKEL OVERALL
 - THIS HEADER MATES WITH MOLEX :
a) CRIMP RECEPTACLE HOUSING, 51110 SERIES WITH CRIMP TERMINAL, 50394 SERIES.
b) 2mm MILLIGRID DUAL ROW IDT, 87568 SERIES.
 - PARTS TO BE PACKED IN TUBE WITH MOISTURE BARRIER BAG.



REF : ORIENTATION OF PART IN TUBE.
(FOR THE REFERENCE OF PART/TUBE ASSEMBLY.)

REV A4 ORIGINALLY RELEASED BY ECM 170249

THIS DRAWING CONTAINS INFORMATION THAT IS PROPRIETARY TO MOLEX ELECTRONIC TECHNOLOGIES, LLC AND SHOULD NOT BE USED WITHOUT WRITTEN PERMISSION		CURRENT REV DESC: ADDED BTB DIST.		molex	
DIMENSION UNITS: MM NTS		SCALE: MM INCH			
GENERAL TOLERANCES (UNLESS SPECIFIED)		EC NO: 619055		PRODUCT CUSTOMER DRAWING	
4 PLACES	±	DRWN: HK02	2019/05/21	DOCUMENT NUMBER	DOC TYPE
3 PLACES	±	CHK'D: NMANE02	2019/07/09	SD-87831-015	PSD
2 PLACES	± 0.2	APPR: MRAMAKRISHNA	2019/07/09	DOC PART	001
1 PLACE	±	INITIAL REVISION:		REVISION	A5
0 PLACES	±	DRWN: ATSEE	2003/10/06	MATERIAL NUMBER	
ANGULAR TOL	± 3.0°	APPR: SKTOH	2003/11/07	CUSTOMER	
DRAFT WHERE APPLICABLE MUST REMAIN WITHIN DIMENSIONS		THIRD ANGLE PROJECTION	DRAWING	SHEET NUMBER	
			A3-SIZE	SEE TABLE	GENERAL MARKET
		SERIES	87831	1 OF 2	

BOARD TO BOARD (BTB) DISTANCE

HEADER	MATES WITH (RECEPTACLE)	BTB DIST.	PICTORIAL VIEW
87831	79107	6.94	
	78787	6.94	
	79108	6.94	
	79109	7.15	
	78788	7.15	

THIS DRAWING CONTAINS INFORMATION THAT IS PROPRIETARY TO MOLEX ELECTRONIC TECHNOLOGIES, LLC AND SHOULD NOT BE USED WITHOUT WRITTEN PERMISSION

DIMENSION UNITS		SCALE		CURRENT REV DESC: ADDED BTB DIST.		molex		
mm		NTS						
GENERAL TOLERANCES (UNLESS SPECIFIED)				EC NO: 619055		MGRID, SHROUDED HEADER VERTICAL, WITH VOID		
		MM	INCH	DRWN: HK02 2019/05/21				
4 PLACES		±	±	CHK'D: NMANE02 2019/07/09		PRODUCT CUSTOMER DRAWING		
3 PLACES		±	±	APPR: MRAMAKRISHNA 2019/07/09				
2 PLACES		± 0.2	±	INITIAL REVISION:		DOCUMENT NUMBER		
1 PLACE		±	±	DRWN: DRWN BY XXXX/XX/XX				
0 PLACES		±	±	APPR: APPR BY XXXX/XX/XX		DOC TYPE		
ANGULAR TOL		± 3.0°		DRAWING				
DRAFT WHERE APPLICABLE MUST REMAIN WITHIN DIMENSIONS		THIRD ANGLE PROJECTION		SERIES		DOC PART		
				A3-SIZE				
				87831		A5		
				MATERIAL NUMBER				
				CUSTOMER		2 OF 2		
				SHEET NUMBER				