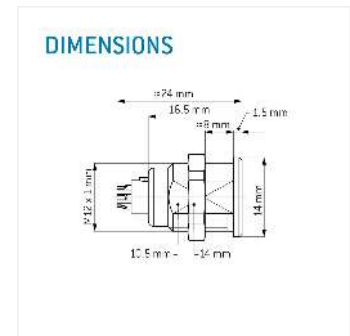
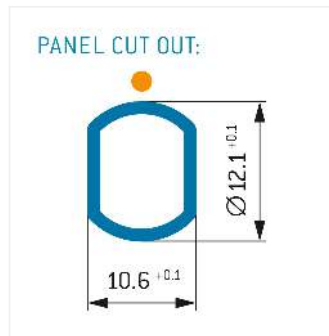
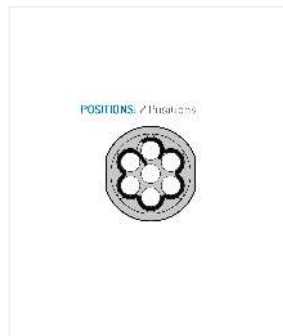
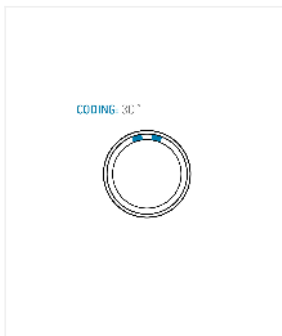


ODU MINI-SNAP[®] Series L Receptacle acc. IEC 60601-1

General information

Part number	G11LAC-P07NFG2-000L
Termination	Crimp
Size	1
Locking principle	push
Coding	a_key
customs tariff numbers	85366990



Contact insert description

Number of contacts	7
Contact type	sockets
Contact diameter	07mm
Insulator material	peek
Wire cross section	22-26 AWG
Termination	Crimp

Technical information

Max. creepage and air clearance distance	09_mm	2_moop
Nominal current single contact	075_a	iec_60512_5_2
Nominal current insert	4,9 A	vde_0298_5
Test voltage	12_kv_ac	sae_13441

safety_text

Mechanical and environmental data

Degree of protection*	ip50
Operating temperature	40_120_c
Mating cycles	5000

mated_unmated

Material and surface treatments

Housing	chrome_finish
Contact	cu_alloy_gold

safety_text_2
ul_text
illustrative_text