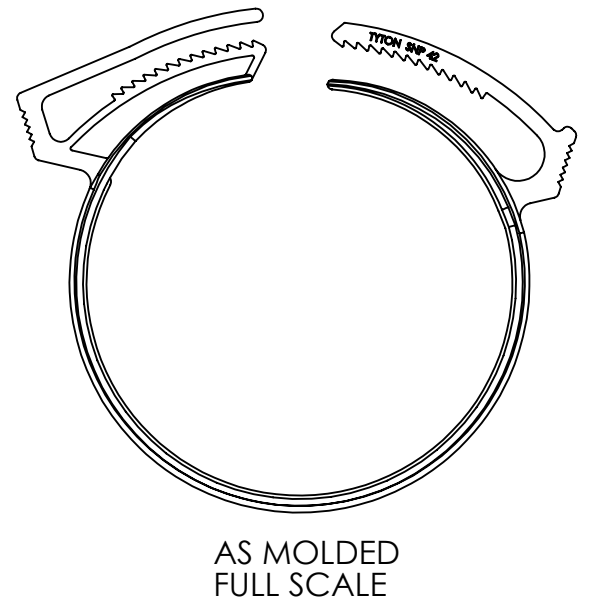
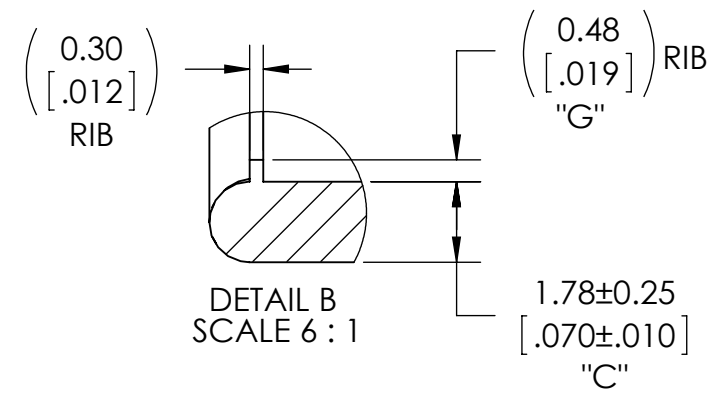
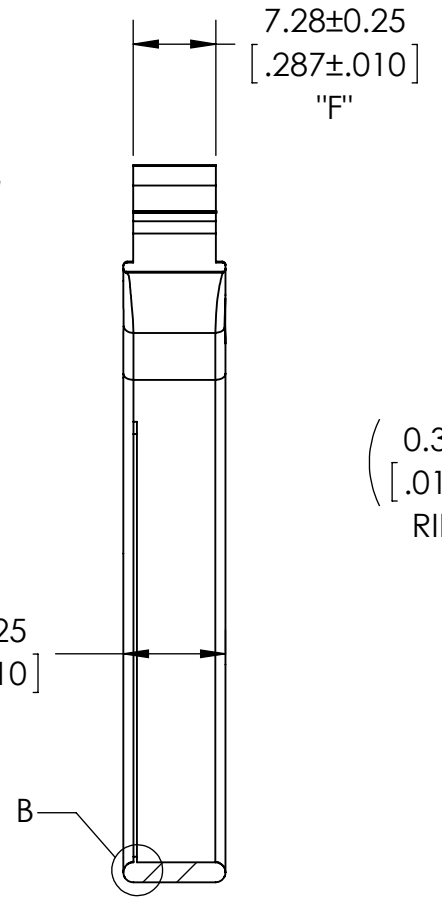
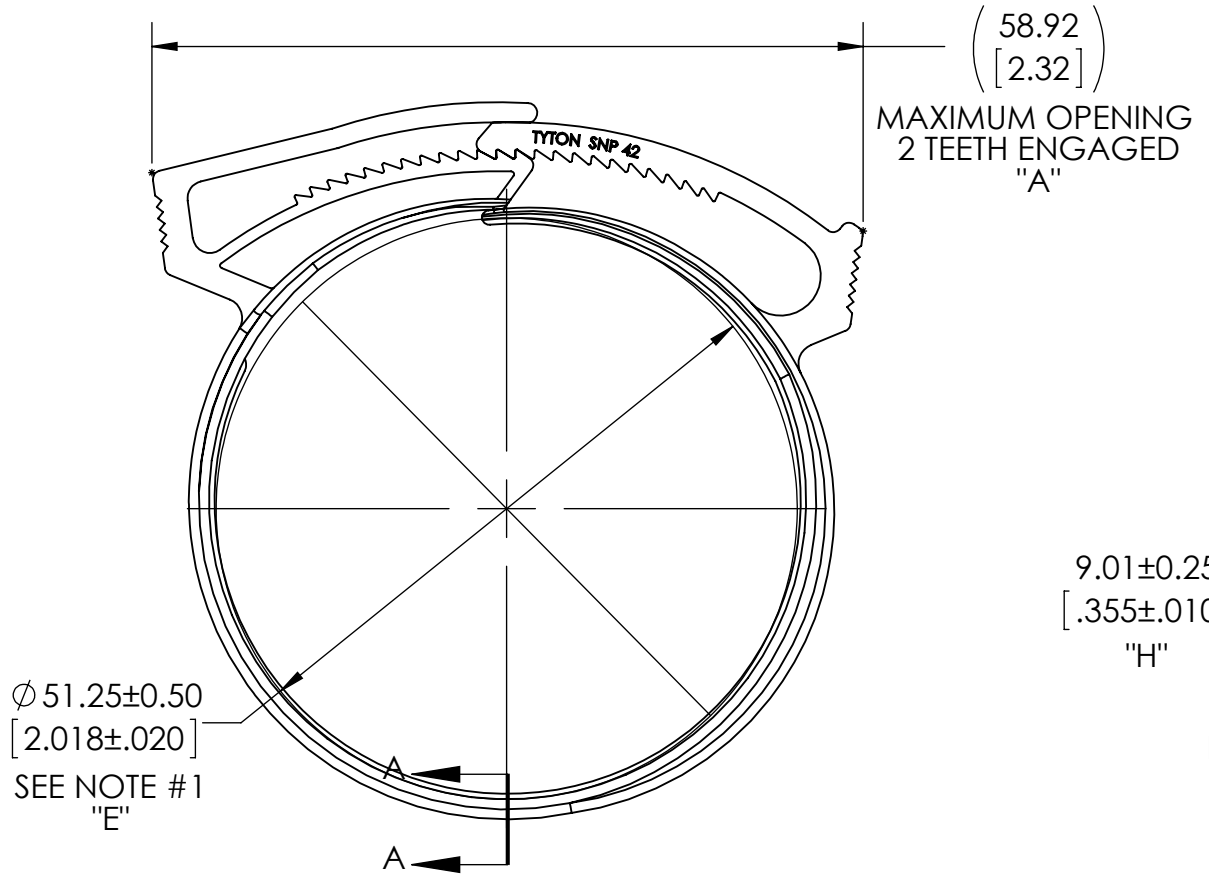
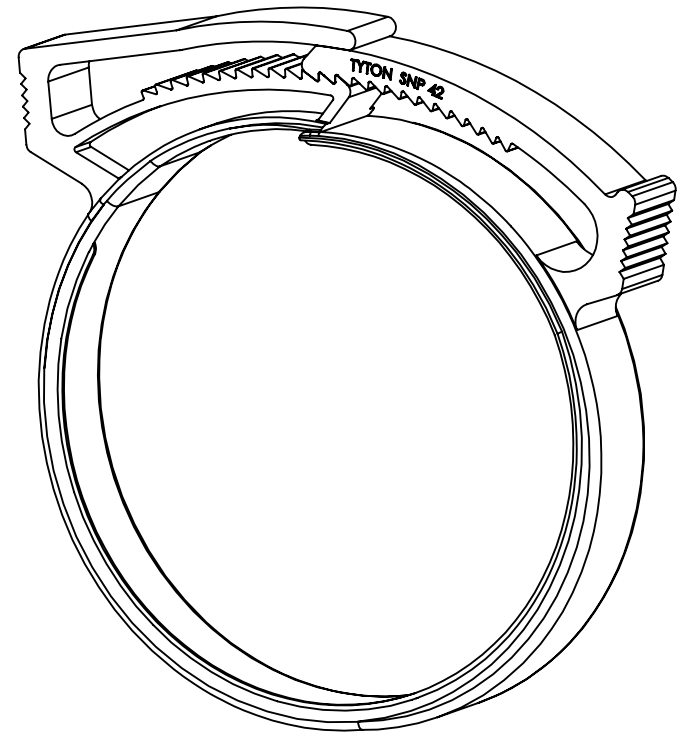
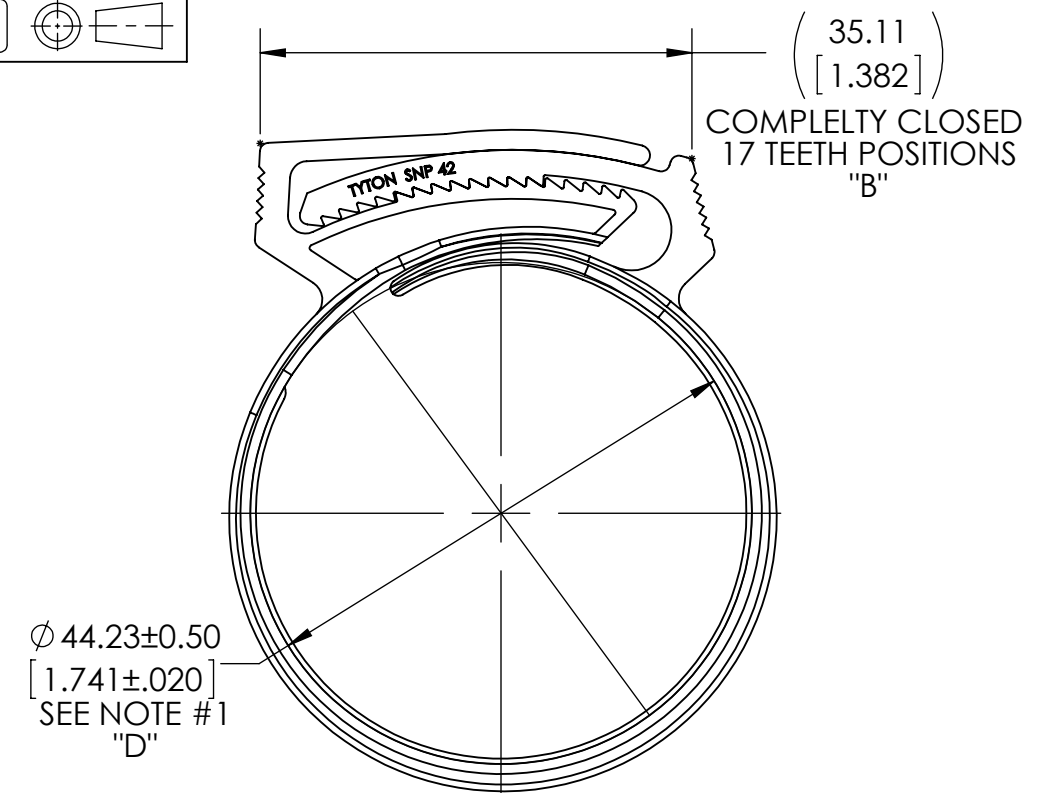


Revision level		Revision Record	Changed	Date	Approved	Date
Drawing	Part					
00	-	SEE ECN# 012255	CJR	01/03/2013	CJR	01/03/2013



SECTION A-A

Notes
 1) INSIDE DIAMETERS ARE MEASURED IN THREE PLACES SPACED 120 DEGREES APART EXCLUDING RIB.
 2) 26 TOTAL TEETH, 17 TEETH POSITIONS.

Material
 POM (ACETAL)

Units: millimeters
 Dimension without tolerances details to:
 .xxx = ±.013
 .xx = ±.13
 .x = ±.3
 None = ±.8
 < = ±0.5°
 Dimension Formatted mm/[in]

The copyright of this drawing is reserved by HellermannTyton. It is issued on condition that it is not reproduced, copied, or disclosed to a third party, either wholly or in part, without the consent of HellermannTyton.

Drawn: CJR
 01/03/2013
 Approved:
HellermannTyton
 North America
 Email: corp@htamericas.com
 Web: www.hellermann.tyton.com

Article/Type-No: SNP42
 Title: SNAPPER 42 - HOSE CLAMP
 Drawing-No: 13-0201-002-CSU
 Concept: Phase

Scale: 1.5:1
 Project Number: PRP13-0201
 Format: B
 Sheet: 1/1