

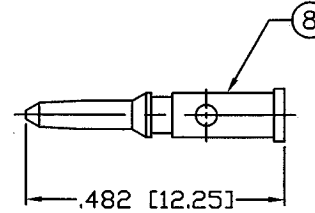
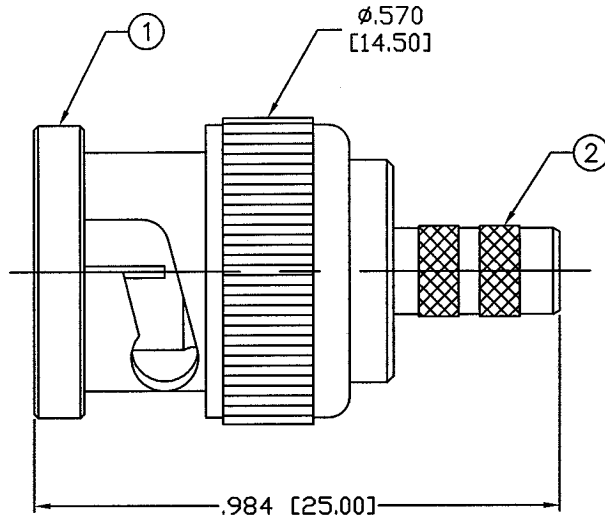
THIS DRAWING CONTAINS INFORMATION PROPRIETARY TO RF INDUSTRIES.
 ANY UNAUTHORIZED USE OF THIS DRAWING IS EXPRESSLY PROHIBITED
 WITHOUT WRITTEN PERMISSION FROM RF INDUSTRIES.
 ANY VIOLATION IS PUNISHABLE UNDER U.S. COPYRIGHT LAWS.

ALL DIMENSIONS ARE REFERENCE ONLY

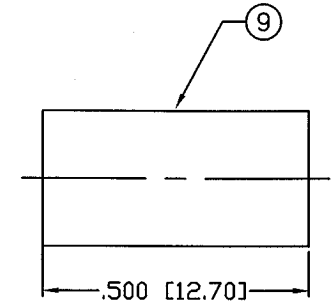
PART NO.

RFB-1106-C2ST

REV	DESCRIPTION	DWN	DATE	APPROVED
A	ENGINEERING RELEASE	CZS	6/6/97	R. RICE
B	CHANGE FER. STUD, OVER ALL DIMS, SPECS & DWG # 8709	GGG	1/17/02	JDMc



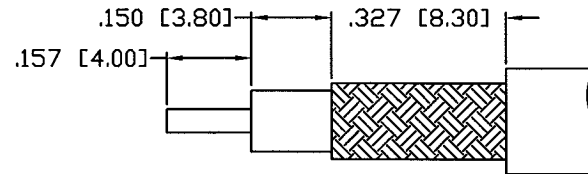
RECOMMENDED
CRIMP DIE: .068



RECOMMENDED
CRIMP DIE: .213

SPECIFICATIONS:

IMPEDANCE: 50 Ohms
 FREQUENCY RANGE: 0-4 GHz
 VSWR: 1.3 Max.
 WORKING VOLTAGE: 500 V rms @ sea level
 TEMPERATURE RANGE: -65°C TO 85°C
 INSULATION RESISTANCE: 5k M Ohms min.
 FOR TIMES LMR-200, ALPHA 9848 & MSI-22



RECOMMENDED STRIPPING DIMENSIONS

1	SHELL	1	BRASS	SILVER, 80μ"
2	BODY	1	BRASS	SILVER, 80μ"
3	INSULATOR	1	PTFE	----
4	GASKET	1	RUBBER	----
5	RETAINING RING	1	BRASS	NICKEL, 100μ"
6	SPRING	1	SK5	NICKEL, 200μ"
7	WASHER	1	BRASS	SILVER, 80μ"
8	PIN	1	BRASS	GOLD, 3μ"
9	FERRULE	1	BRASS	SILVER, 80μ"
10				
11				
12				
13				
14				
#	DESCRIPTION	QTY	MATRL	FINISH

008974	
DRAWN	G. GALLEGO
CHECKED	<i>[Signature]</i>
ORJ DRAWN	C. ZUNIGA
DATE	6/6/97
DATE	1/17/02
DATE	1-24-02

UNLESS OTHERWISE SPECIFIED:
 1. REMOVE ALL BURRS
 2. BREAK ALL CORNERS & EDGES .005 R. MAX.
 3. CHAMFER 1ST & LAST THREADS 45°
 4. SURFACE ROUGHNESS 63 FINISH MIL-STD-10
 5. DIAMETERS ON COMMON CENTERS TO BE CONCENTRIC WITHIN .002 T.I.R.
 6. ALL DIMENSIONS ARE AFTER PLATING.

DIMENSIONS ARE IN INCHES AND [MILLIMETERS]
 UNLESS OTHERWISE NOTED TOLERANCES ARE:
 DECIMALS .XXX±.003 [.08] .XX±.005 [.13]
 DIAMETER .XXX±.001 [.03] .XX±.003 [.08]

RF connectors
 DIVISION OF RF INDUSTRIES, LTD.

7610 MIRAMAR RD
 SAN DIEGO, CA 92126
 (858) 549-6340
 (858) 549-6345 FAX

BNC PLUG, CRIMP

SIZE	CABLE GROUP	DWG NO.	REV
A	C2	RFB-1106-C2ST	B
SCALE:	NTS	CAD FILE	OUTLINE
			SHEET 1 OF 1