

4

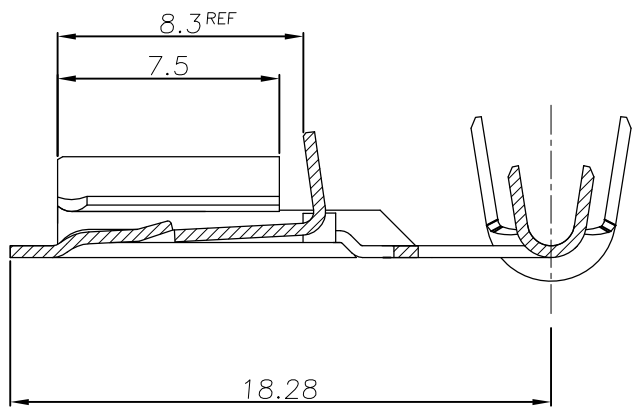
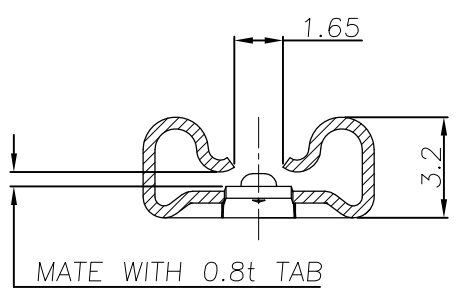
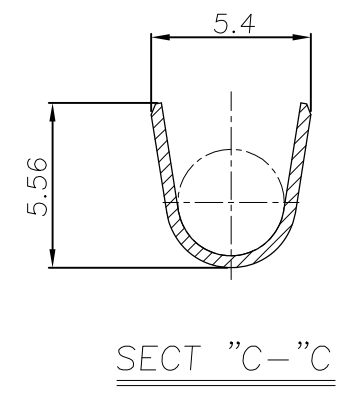
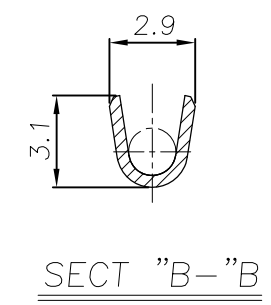
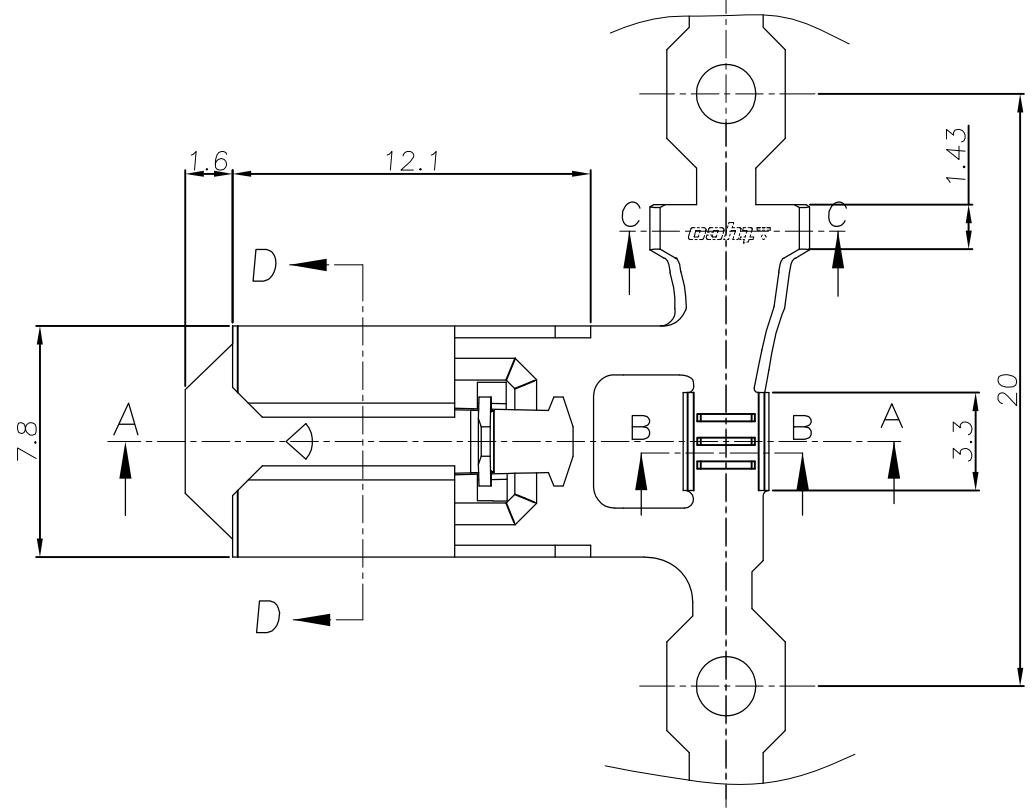
3

2

1

THIS DRAWING IS UNPUBLISHED. RELEASED FOR PUBLICATION
© COPYRIGHT BY TYCO ELECTRONICS CORPORATION. ALL RIGHTS RESERVED.

LOC	DIST	REVISIONS					
		P	LTR	DESCRIPTION	DATE	DWN	APVD
DS	-		0	RELEASED (FC00-0108-03)	05.AUG.'03	BH	CS
			01	REVISED (ECR-09-010611)	09.JUN.'09	BH	JK
			02	REVISED (ECR-09-021331)	22OCT.'09	BH	JK



- * NOTES;
 1. APPLICABLE HOUSING
 P/N; 85091-1
 2. GENERAL TOLERANCES : ±0.25
 ② 3. APPLICABLE WIRE RANGE : AWG22~AWG18

PRE-TIN	BRASS 0.4 THK	936603-1
FINISH	MATERIAL	PART NUMBER

<small>THIS DRAWING IS A CONTROLLED DOCUMENT FOR TYCO ELECTRONICS CORPORATION IT IS SUBJECT TO CHANGE AND THE CONTROLLING ENGINEERING ORGANIZATION SHOULD BE CONTACTED FOR THE LATEST REVISION.</small>		DWN BH CHO CHK BW KANG APVD JK SONG PRODUCT SPEC - APPLICATION SPEC 114-61019 WEIGHT - CUSTOMER DRAWING		AMP KOREA. Kyungsan, Korea NAME 250 SERIES FLAG POSITIVE LOCK(MARK II) RECEP.		SIZE A3 CAGE CODE 00779 DRAWING NO 936603 RESTRICTED TO -	
DIMENSIONS: MM	TOLERANCES UNLESS OTHERWISE SPECIFIED:	SCALE 4/1		SHEET 1 OF 1		REV 02	
 MATERIAL - -	0 PLC ± 1 PLC ± 2 PLC ± 3 PLC ± 4 PLC ± ANGLES ±						