

- EFD25 Low Profile Power Transformer Design
- RoHS Compliant

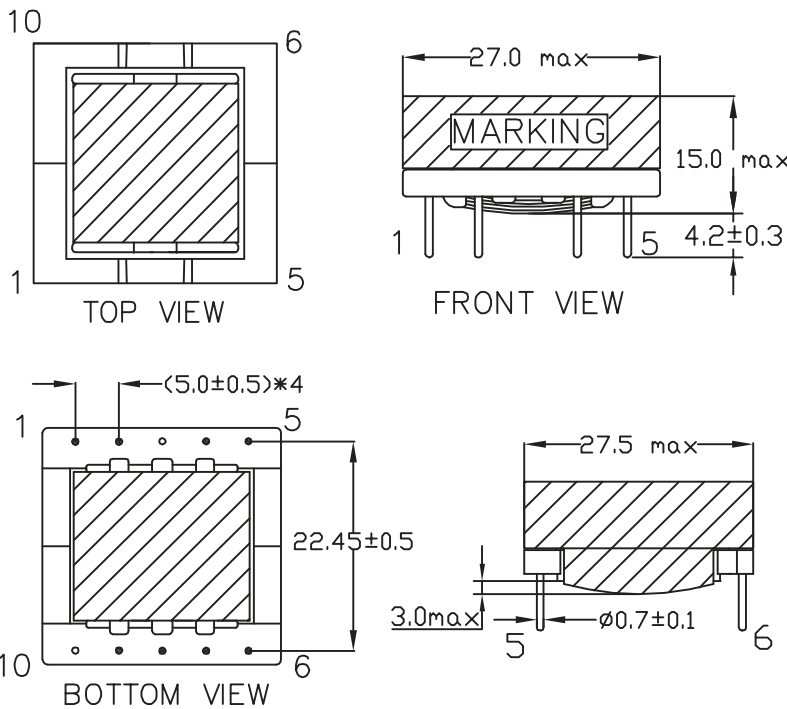
Specifications @25°C				
S - F	Inductance F = 125KHz, 1Vrms, 25°C	Leakage Inductance F=125KHz, 1 Vrms (short pin)	DCR 25°C (Max)	Turns Ratio
2 - 1	1.17mH ±20%	-	550 mOhm	67Ts
5 - 4	-	-	540 mOhm	6Ts

Specifications @25°C				
S - F	Inductance F = 125KHz, 1Vrms,	DC-BIAS F=125KHz, 1 Vrms	DCR 25°C (Max)	Turns Ratio
8,9 - 6,7	-	-	25 mOhm	5Ts
1,2,4,5 - 6,7,8,9	-	45(REF)	-	-

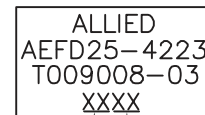
Specifications @25°C					
Location / Desc.	PRI-PRI	PRI-SEC	SEC-SEC	PRI-CORE	COIL-CORE
Hi-Pot (50Hz/60Hz)	-	3000Vac, 10mA,60 sec	-	1000Vac, 10mA,60 sec	1000Vac, 10mA,60 sec
Insulation Resistance	-	500Vdc, 100mΩ min	-	500Vac, 100 mΩ min	500Vac, 100 mΩ min

All specifications subject to change without notice.

**MECHANICAL**



MARKING(black):



WEEK  
YEAR

NOTE: 1. PIN3, 10 NO;  
2. GAP CORE TO PIN6-10 SIDE,  
CORE BROWN TAPE 3Ts.