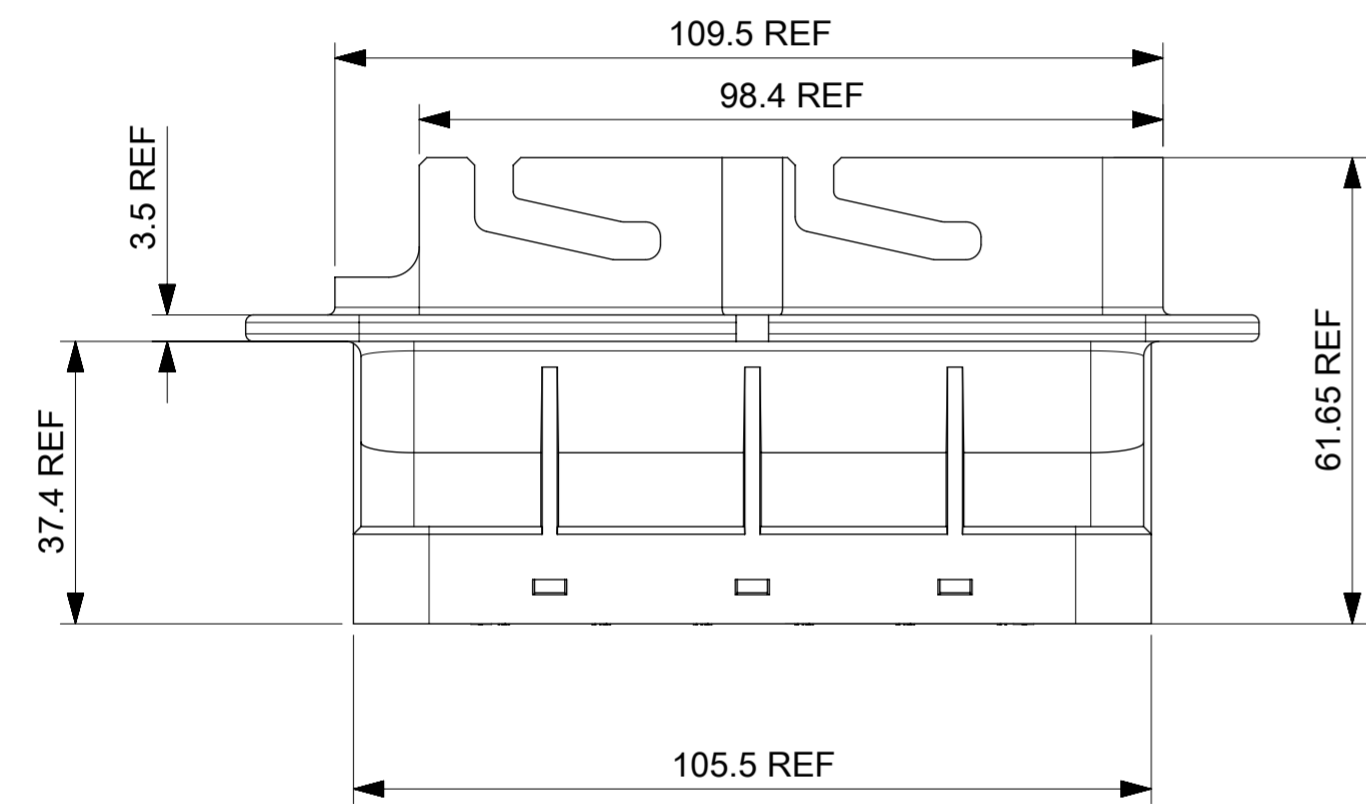
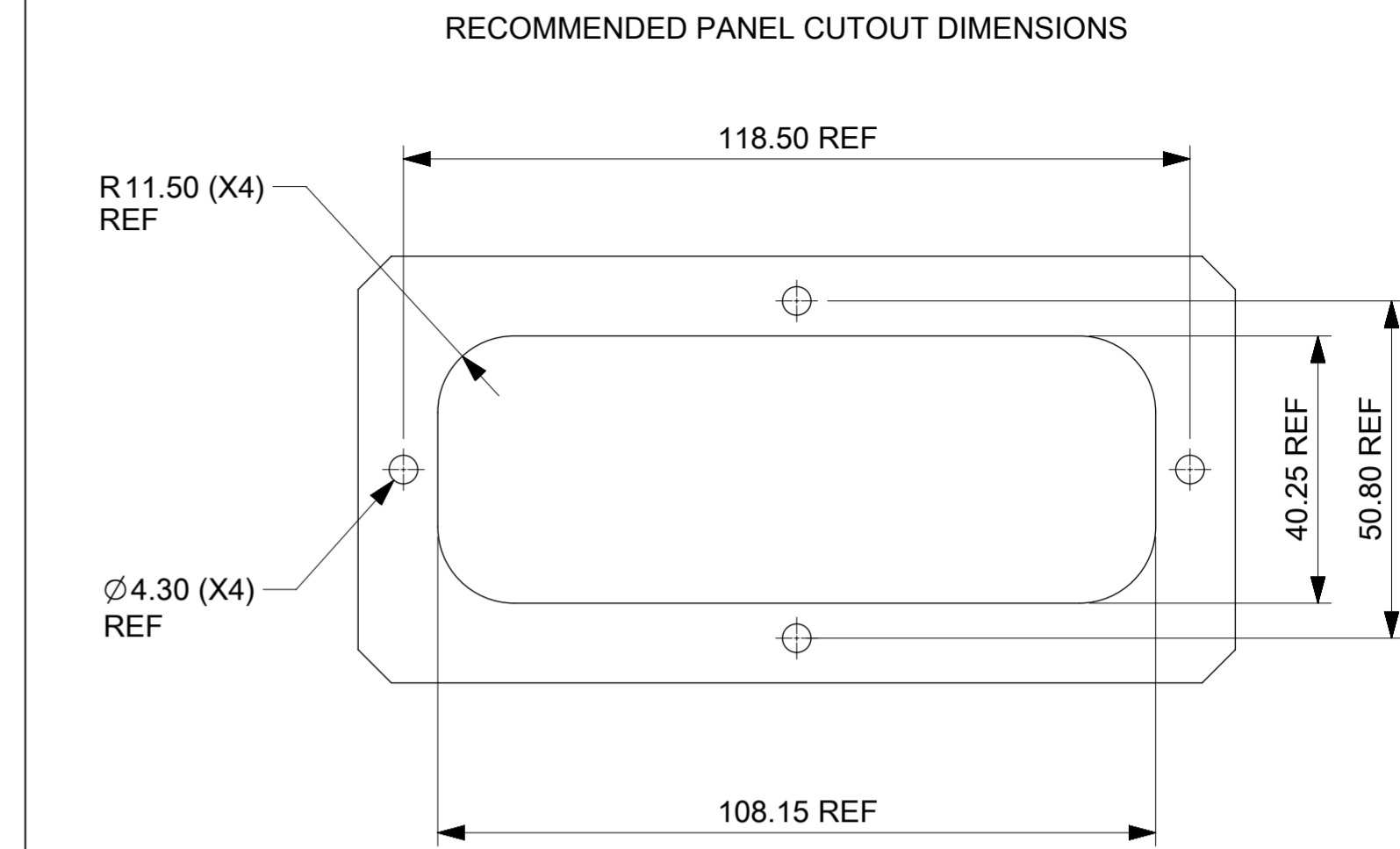
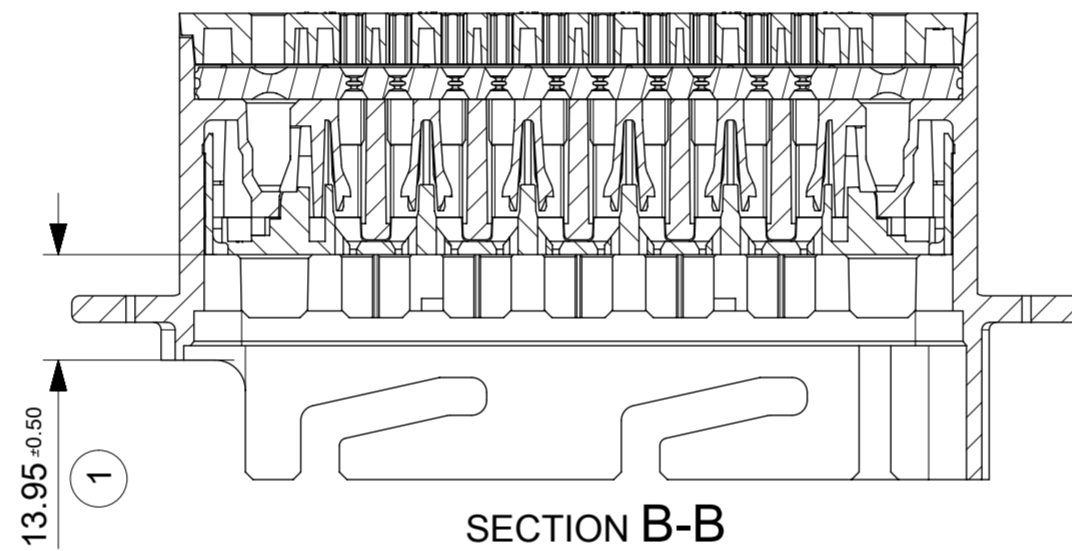


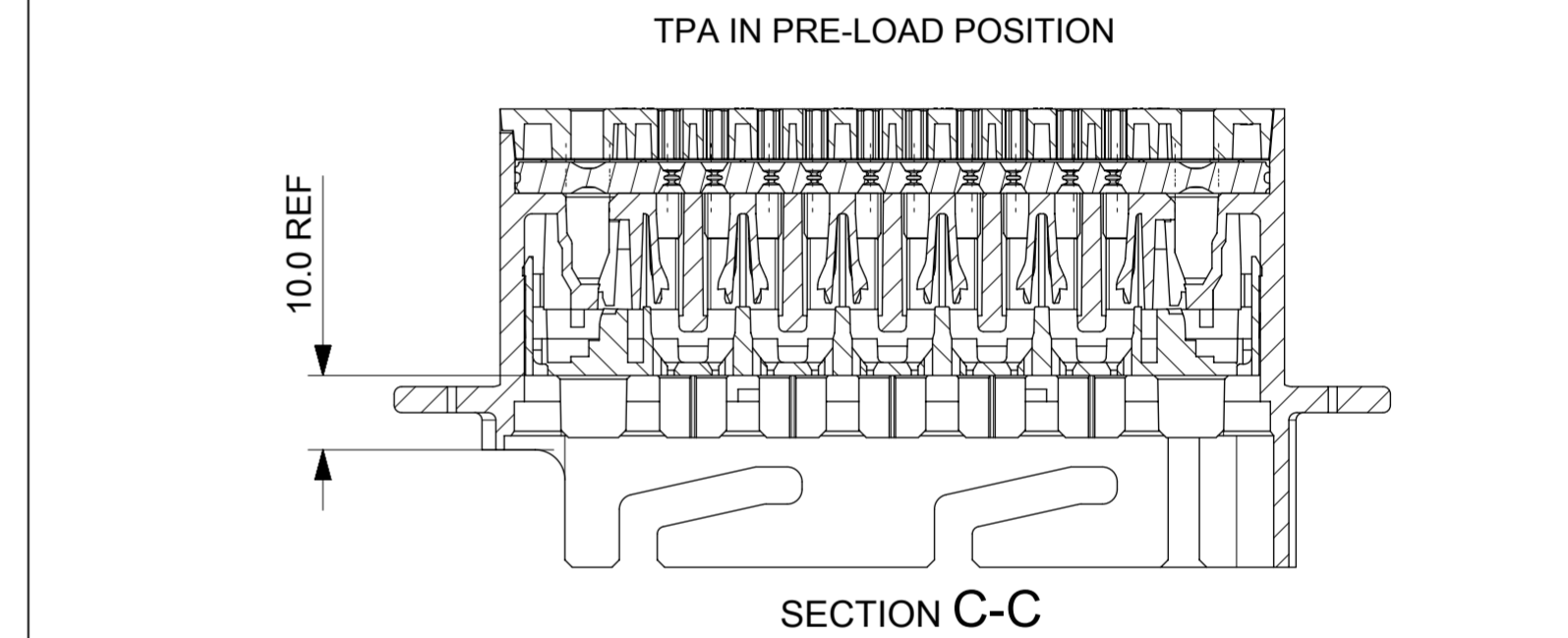
SECTION A-A



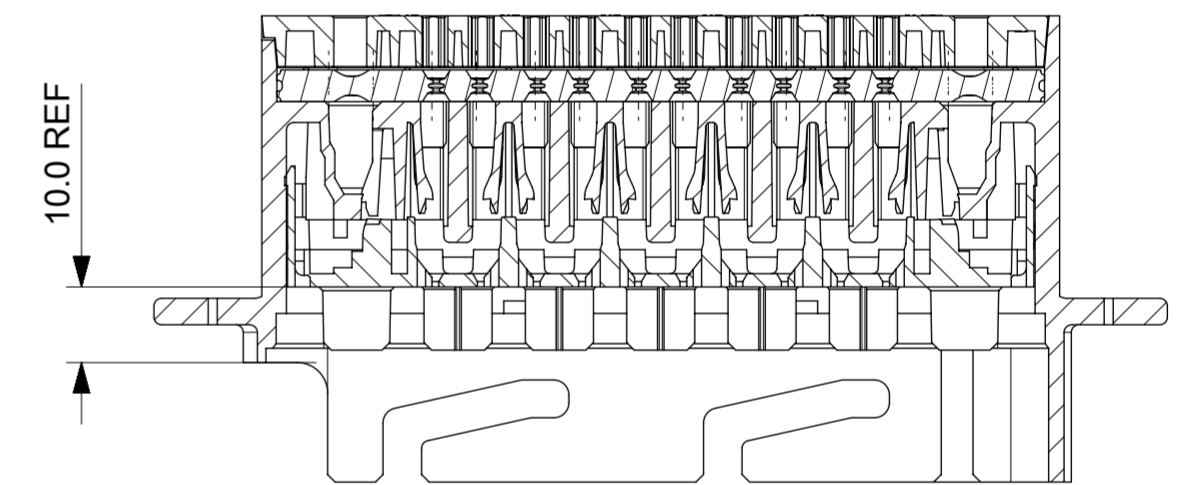
TPA IN CLOSED (AS SHIPPED) POSITION



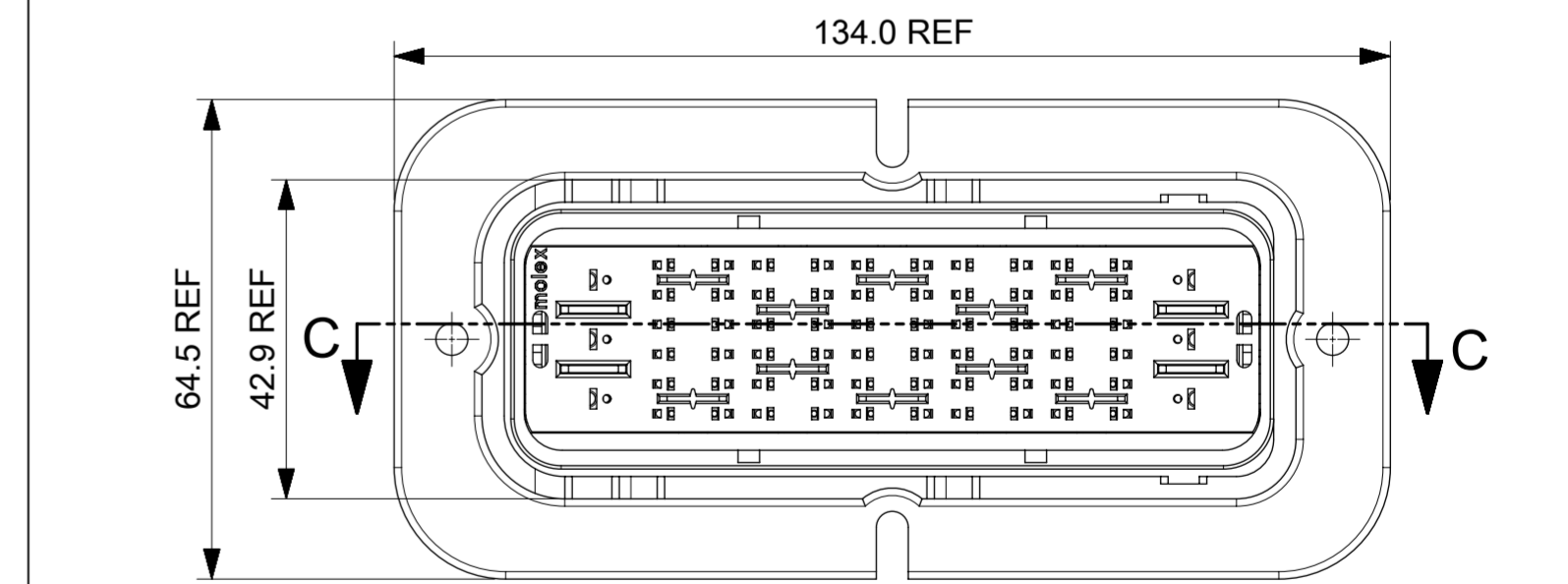
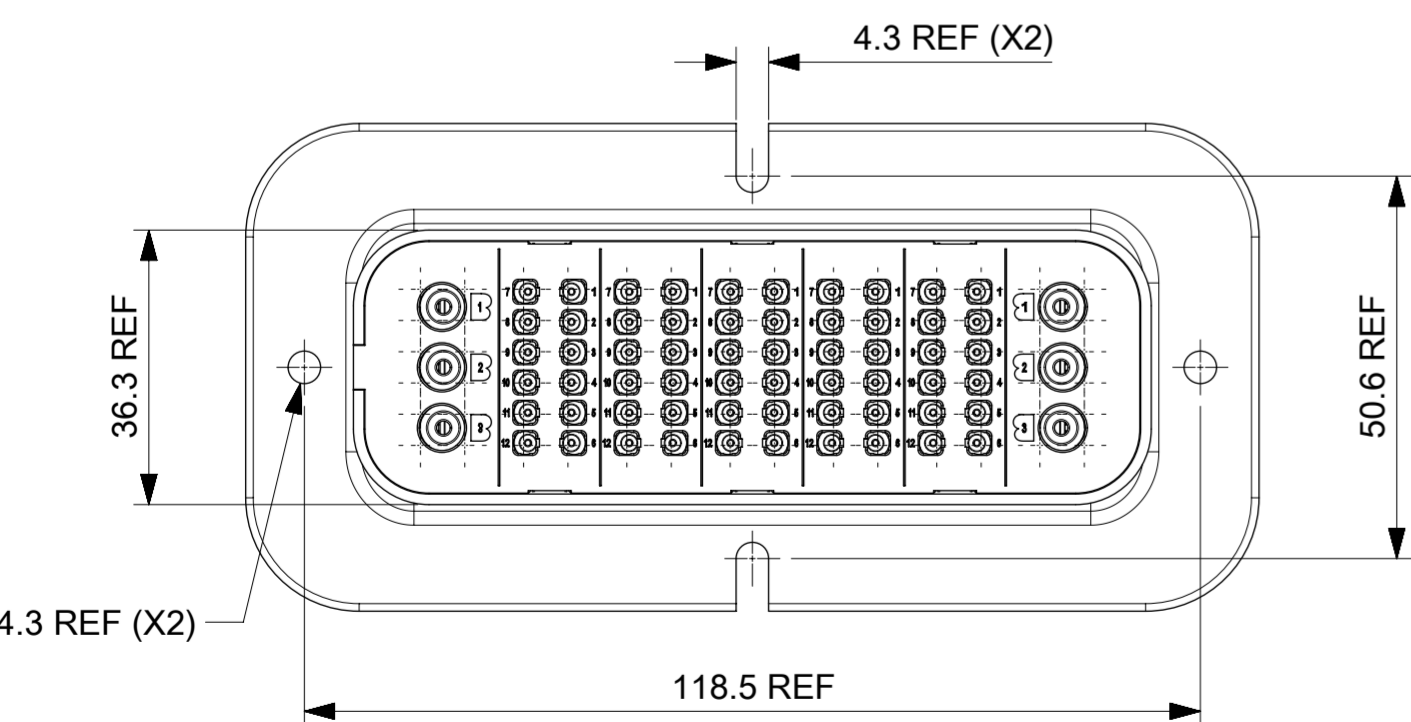
SECTION B-B



TPA IN PRE-LOAD POSITION



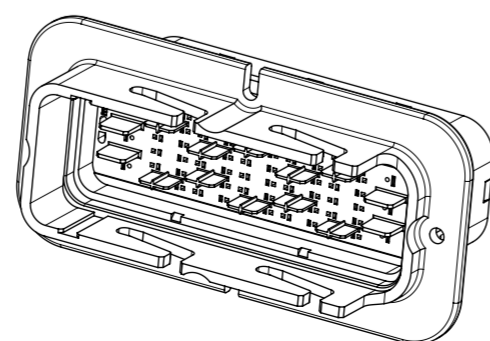
SECTION C-C



NOTES:

- MATERIALS:
HOUSINGS: SPS/NYLON BLEND, GLASS FILLED, UL 94 HB
SEAL: SILICONE RUBBER
- MX150 BLADE TERMINALS PER SD-33000-001 TO BE USED WITH THIS ASSEMBLY IN CAVITIES B, C, D, E & F, CRIMPED WITH CABLE INSULATION OUTER DIAMETER IN THE RANGE 1.5mm TO 2.7mm
- MX150L BLADE TERMINALS PER SD-19431-00* TO BE USED WITH THIS ASSEMBLY IN CAVITIES A & G, CRIMPED WITH CABLE INSULATION OUTER DIAMETER IN THE RANGE 3.0mm TO 5.0mm
- PRODUCT SPECIFICATION: 850830010 PSP
- PACKAGING SPECIFICATION: 850710010 PSK
- MATES WITH: SRC 60+6AG POWER RECEPTACLE HOUSING ASSEMBLY PART NUMBER 850840700 PER 850840700 PSD
- APPLICATION SPECIFICATION: 850830010 PSA
- FLANGE GASKET OPTION: REFER TO 850710017 PSD

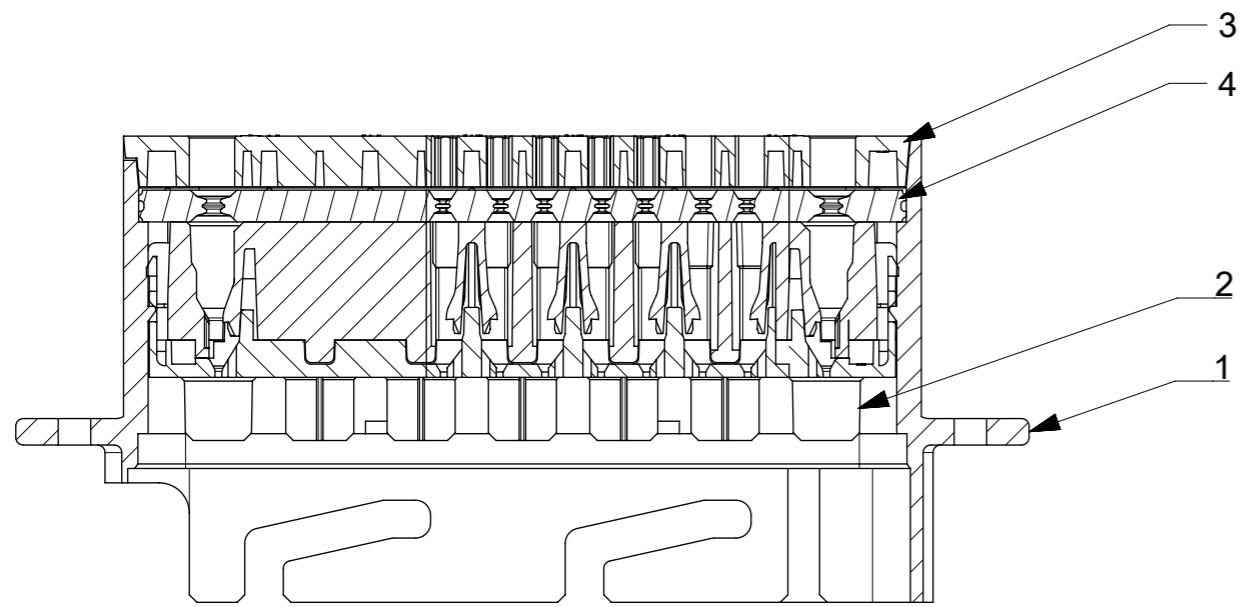
INSPECTION NUMBERS RESERVED FOR SHEET 1: 1-50
LAST INSPECTION NUMBER USED: 1



No.	DESCRIPTION	QTY.	COLOUR
4	MALE BACK SEAL	1	RUST RED
3	MALE REAR COVER	1	BLACK
2	MALE FRONT COVER (TPA)	1	GREEN
1	MALE HOUSING	1	BLACK

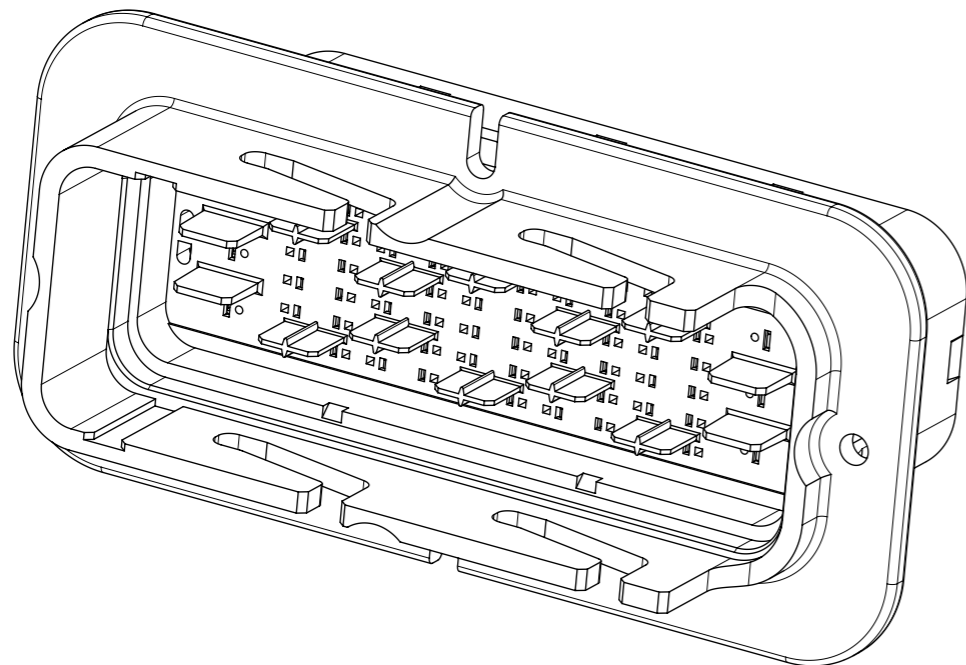
BILL OF MATERIAL

QUALITY SYMBOLS	THIS DRAWING CONTAINS INFORMATION THAT IS PROPRIETARY TO MOLEX ELECTRONIC TECHNOLOGIES, LLC AND SHOULD NOT BE USED WITHOUT WRITTEN PERMISSION		GENERAL TOLERANCES (UNLESS SPECIFIED)		DIMENSION UNITS	SCALE	
▽ = 0	2016/01/21	2016/01/26	mm		1:1	DRWN BY: AJOBRIEN DATE: 2016/01/21 CHKD BY: SMCGREVVY DATE:	
▽ = 0	REPLACE SD-85083-300	2016/01/26	ANGULAR TOL ± 0.5 °				
▽ = 0	EC NO: 102579	DRWN: AJOBRIEN	4 PLACES ±			PRODUCT CUSTOMER DRAWING SERIES: 85083 MATERIAL NUMBER: SEE NOTES CUSTOMER: GENERAL MARKET	
▽ = 0		CHKD: JDWALLACE	3 PLACES ±				DOCUMENT NUMBER: 850830300 DOC TYPE: PSD DOC PART: 000 SHEET NUMBER: 1 OF 2
▽ = 0		APPR: JDWALLACE	2 PLACES ± 0.2				
▽ = 0			1 PLACE ± 0.5				
▽ = 0			0 PLACES ±				
▽ = 0			DRAFT WHERE APPLICABLE MUST REMAIN WITHIN DIMENSIONS		DRAWING SIZE: A2	THIRD ANGLE PROJECTION	



SECTION M-M

4	MALE BACK SEAL	1	RUST RED
3	MALE REAR COVER	1	BLACK
2	MALE FRONT COVER (TPA)	1	GREEN
1	MALE HOUSING	1	BLACK
No.	DESCRIPTION	QTY.	COLOUR
BILL OF MATERIAL			

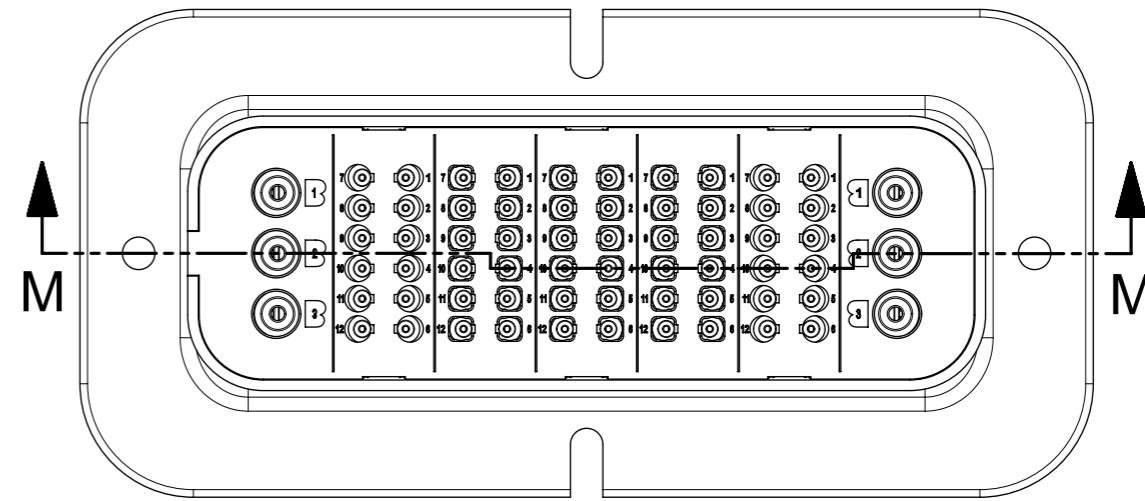


TERMINAL POSITION G3

TERMINAL POSITION A3

TERMINAL POSITION G1

TERMINAL POSITION A1



NOTES:

1. REFERENCE SHEET 1 FOR UNSPECIFIED NOTES AND DIMENSIONS
2. MX150 BLADE TERMINALS PER SD-33000-001 TO BE USED WITH THIS ASSEMBLY IN CAVITIES C, D AND E, CRIMPED WITH CABLE INSULATION OUTER DIAMETER IN THE RANGE 1.5mm TO 2.7mm
3. SRC BLADE TERMINALS PER 936420010 PSD MAY BE USED WITH THIS ASSEMBLY IN CAVITIES B AND F, CRIMPED WITH 2.5mm² (13AWG) CABLE INSULATION OUTER DIAMETER IN THE RANGE 2.7mm TO 3.0mm
4. MX150L BLADE TERMINALS PER SD-19431-00* TO BE USED WITH THIS ASSEMBLY IN CAVITIES A AND G, CRIMPED WITH CABLE INSULATION OUTER DIAMETER IN THE RANGE 3.0mm TO 5.0mm
5. MATES WITH: SRC 60+6AG POWER 2.5 RECEPTACLE HOUSING ASSEMBLY PART NUMBER 850846025 PER 850840700 PSD

<p>QUALITY SYMBOLS</p> <p>▽A = 0</p> <p>▽E = 0</p> <p>▽F = 0</p> <p>▽ = 0</p> <p>▽C = 0</p> <p>⊗ = 0</p> <p>■ = 0</p> <p>▽ = 0</p>	THIS DRAWING CONTAINS INFORMATION THAT IS PROPRIETARY TO MOLEX ELECTRONIC TECHNOLOGIES, LLC AND SHOULD NOT BE USED WITHOUT WRITTEN PERMISSION										
	<p>REPLACE SD-85083-300</p> <p>EC NO: 102579</p> <p>DRWN: AJOBRIEN</p> <p>CHK'D: JDWALLACE</p> <p>APPR: JDWALLACE</p>	2016/01/21	2016/01/26	2016/01/26	GENERAL TOLERANCES (UNLESS SPECIFIED)		DIMENSION UNITS	SCALE			
					ANGULAR TOL ± 0.5 °		mm	1:1			
					4 PLACES ±	DATE		AJOBRIEN		2016/01/21	
					3 PLACES ±	DATE		CHK'D BY		SMCGREEVY	
					2 PLACES ± 0.2	DATE		APPR BY		JDWALLACE 2016/01/26	
				1 PLACE ± 0.5	DATE		DRAWING SIZE		THIRD ANGLE PROJECTION		
				0 PLACES ±	DATE		A3				
				DRAFT WHERE APPLICABLE MUST REMAIN WITHIN DIMENSIONS							
	PRODUCT CUSTOMER DRAWING		SERIES	MATERIAL NUMBER	CUSTOMER						
		85083	SEE NOTES	GENERAL MARKET							
DOCUMENT NUMBER		DOC TYPE	DOC PART	SHEET NUMBER							
850830300		PSD	000	2 OF 2							