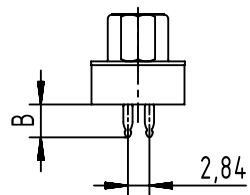
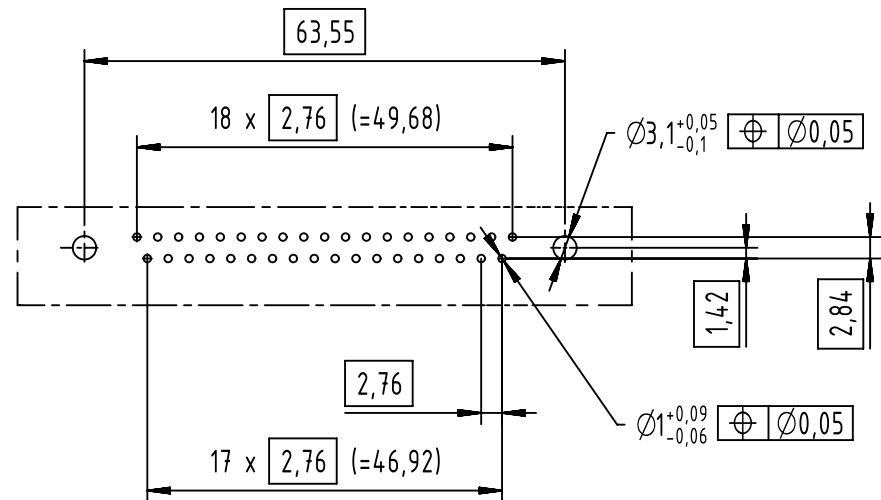
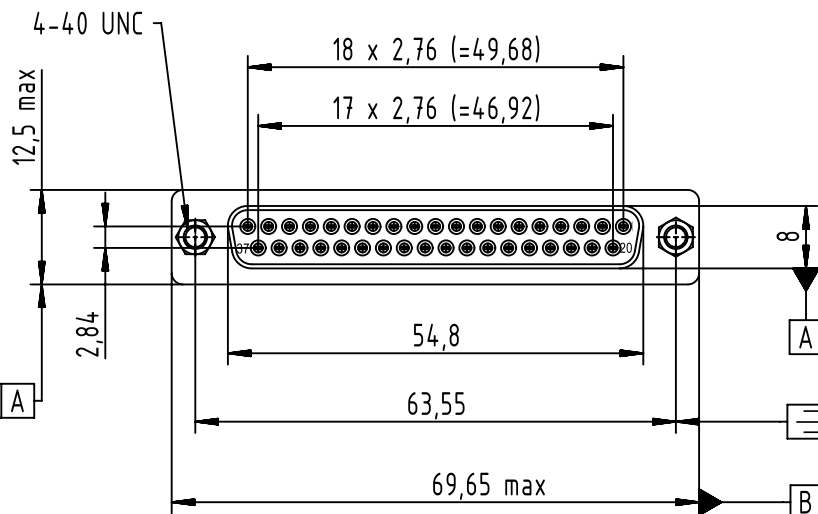


Mark for A=5,7 mm version



PC-Board layout
view component side
thickness up to 3,2 mm



	All Dimensions in mm Original Size DIN A4		Scale 1:1	Free size tol.		Ref.
	All rights reserved		Created by LAVERGNEC	Inspected by BAGDIKIAN	Standardisation HOFFMANN	Sub.
Department EC PD - FR		Date 2014-04-02		State Final Release		
HARTING Electronics GmbH		Title D-Sub 37-pole female straight press-in				Doc-Key / ECM-Nr. 100571886/UGD/001/A 500000072779
D-32339 Espelkamp		Type TB		Number 0966414X503		Rev. A Page 1/1

D	09664147503	3	6	4,20
	09664146503	2	6	4,20
	09664145503	S4 PdNi	6	4,20
	Part number	performance level	A +/- 0,2	B +/- 0,2