



stand-alone assembly support for 3RU21/3RB30/3RB31/3RR2 Size S2 Stand-alone installation Main circuit: Screw

product brand name	SIRIUS
product designation	individual mount
General technical data	
size of overload relay	S2
Substance Prohibition (Date)	10/15/2014
Ambient conditions	
ambient temperature	
• during operation	-20 ... +70 °C
• during storage	-50 ... +80 °C
Safety related data	
protection class IP on the front according to IEC 60529	IP20
touch protection on the front according to IEC 60529	finger-safe, for vertical contact from the front
Installation/ mounting/ dimensions	
fastening method	screw and snap-on mounting onto 35 mm DIN rail
height	105 mm
width	55 mm
depth	110 mm
Connections/ Terminals	
type of electrical connection	
• for main current circuit	screw-type terminals
type of connectable conductor cross-sections	
• for main contacts	
— solid	1x (1 ... 50 mm ²)
— stranded	1x (1 ... 50 mm ²)
— finely stranded with core end processing	1x (1 ... 35 mm ²)
• for AWG cables for main contacts	1x (18 ... 1)

Approvals Certificates	
General Product Approval	Declaration of Conformity



[Confirmation](#)



Declaration of Conformity	Test Certificates	Marine / Shipping
---------------------------	-------------------	-------------------



[Type Test Certificates/Test Report](#)

[Special Test Certificate](#)



Marine / Shipping

other



[Confirmation](#)

Further information

Siemens has decided to exit the Russian market (see here).

<https://press.siemens.com/global/en/pressrelease/siemens-wind-down-russian-business>

Siemens is working on the renewal of the current EAC certificates.

Please contact your local Siemens office on the status of validity of the EAC certification if you intend to import or offer to supply these products to an EAC relevant market (other than the sanctioned EAEU member states Russia or Belarus).

Information on the packaging

<https://support.industry.siemens.com/cs/ww/en/view/109813875>

Information- and Downloadcenter (Catalogs, Brochures,...)

<https://www.siemens.com/ic10>

Industry Mall (Online ordering system)

<https://mall.industry.siemens.com/mall/en/en/Catalog/product?mlfb=3RU2936-3AA01>

Cax online generator

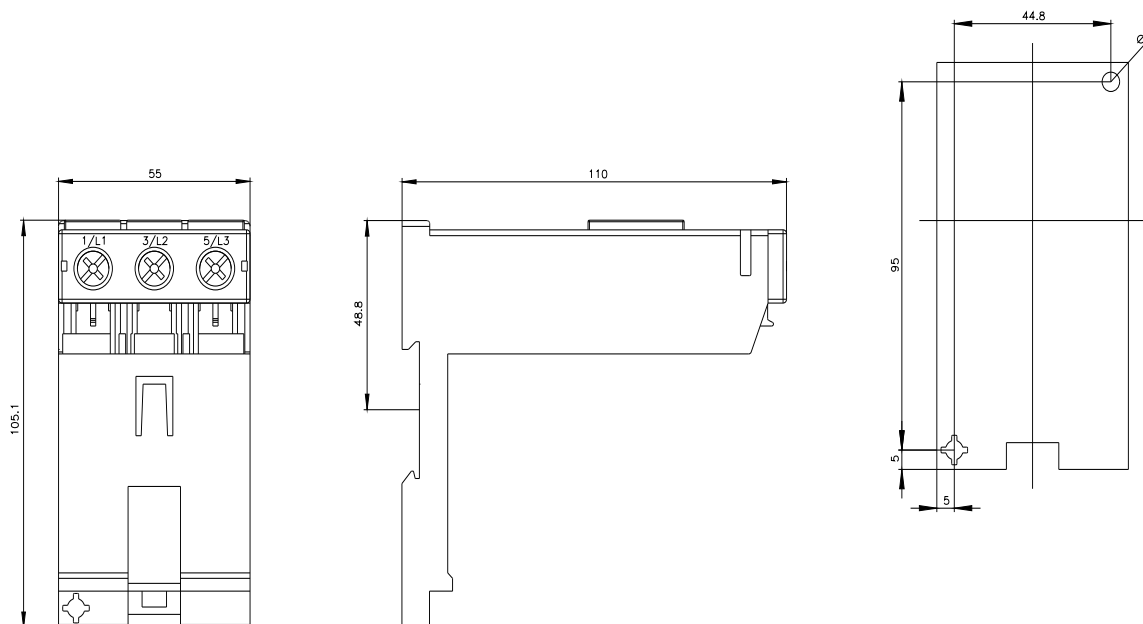
<http://support.automation.siemens.com/WW/CAXorder/default.aspx?lang=en&mlfb=3RU2936-3AA01>

Service&Support (Manuals, Certificates, Characteristics, FAQs,...)

<https://support.industry.siemens.com/cs/ww/en/ps/3RU2936-3AA01>

Image database (product images, 2D dimension drawings, 3D models, device circuit diagrams, EPLAN macros, ...)

http://www.automation.siemens.com/bilddb/cax_de.aspx?mlfb=3RU2936-3AA01&lang=en



1/L1

3/L2

5/L3

--	--	--	--

last modified:

4/5/2023 