

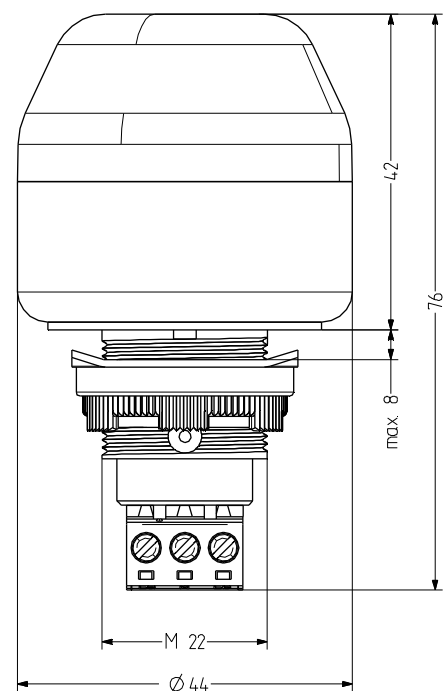
## ICM M22 panel mount LED multi strobe beacon

- Ø 45 mm panel-mount LED multi-strobe beacon
- Good signalling effect
- High degree of protection IP 65
- User-friendly connection technology thanks to plug-in screw terminal
- Prewired model versions with IP 67 on request
- Modern LED technology and electronics
- 2 different strobe patterns, can be switched externally
- For industrial and general applications
- Panel size Ø 22.5 mm/M22
- Adapter available for M30.5 mm panel size



### TECHNICAL DATA

Housing	Ø 45 mm, Polycarbonate black (RAL 9005) or grey (RAL 7035)
Lens	Polycarbonate, ribbed inside orange or red
Type of mounting	any
Panel size	22x1,25 mm (M22) and 30.5 mm (with adapter), mounting depth 34 mm
Cable entry	pre-wired at customer's request
Connection technology	Screw/plug-in terminal 2,5 mm <sup>2</sup>
Leakage current	0,003 A (PLC-suitable)
Beacon type	LED multi strobe beacon
Light source	9 LEDs
Strobe/flash frequency	Double strobe and 6x strobe
Duty cycle	100 %
Service life	Light source: 100.000 h
Operating temperature	-25°C/+60°C
Degree of protection	IP65 & UL Type 4/4x/13



# ICM

## ORDER DATA

Lens colour	Nominal voltage	Voltage range (V)	Nominal current (A)	Housing colour	
				grey	black
orange	24 V AC/DC	+/- 10 %	0,110	801 121 405	801 521 405
	110-120 V AC	+/- 10 %	0,033	801 121 310	801 521 310
	230-240 V AC	+/- 10 %	0,033	801 121 313	801 521 313
red	24 V AC/DC	+/- 10 %	0,110	801 122 405	801 522 405
	110-120 V AC	+/- 10 %	0,033	801 122 310	801 522 310
	230-240 V AC	+/- 10 %	0,033	801 122 313	801 522 313



ADM30

## ACCESSORIES

Type	Type of accessory	Weight	Order number
ADM30	Adapter for M30.5 for 30.5 mm holes	8 g	812 500 900