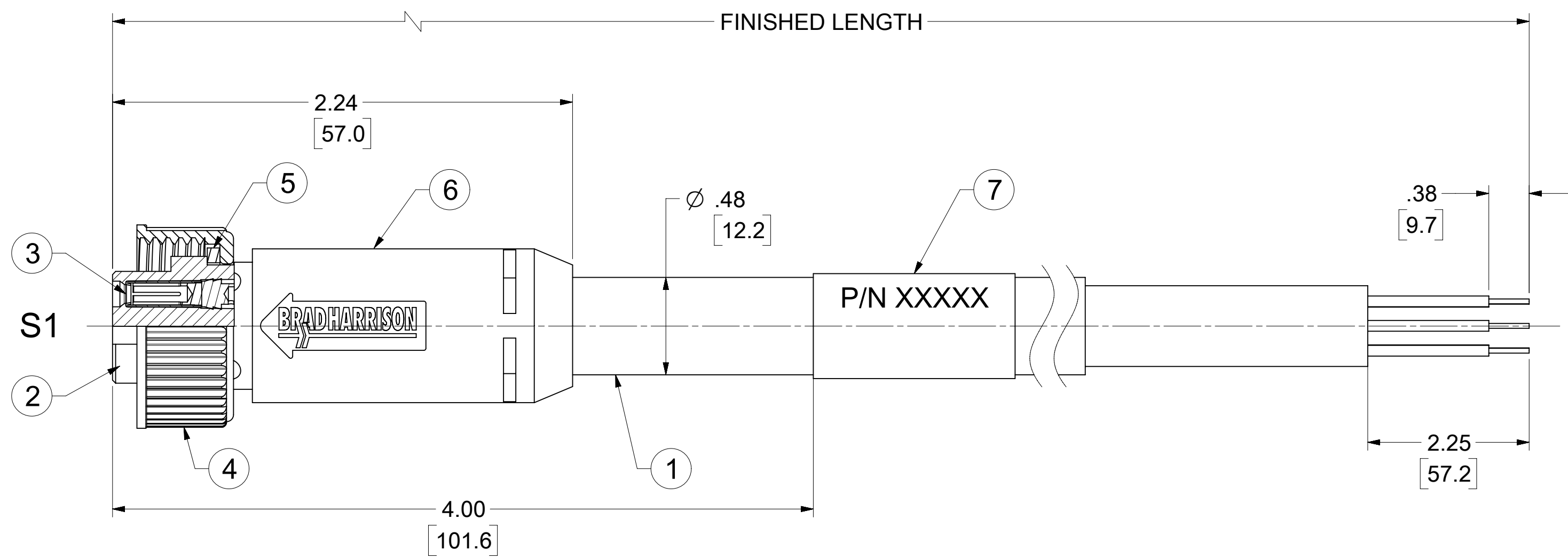
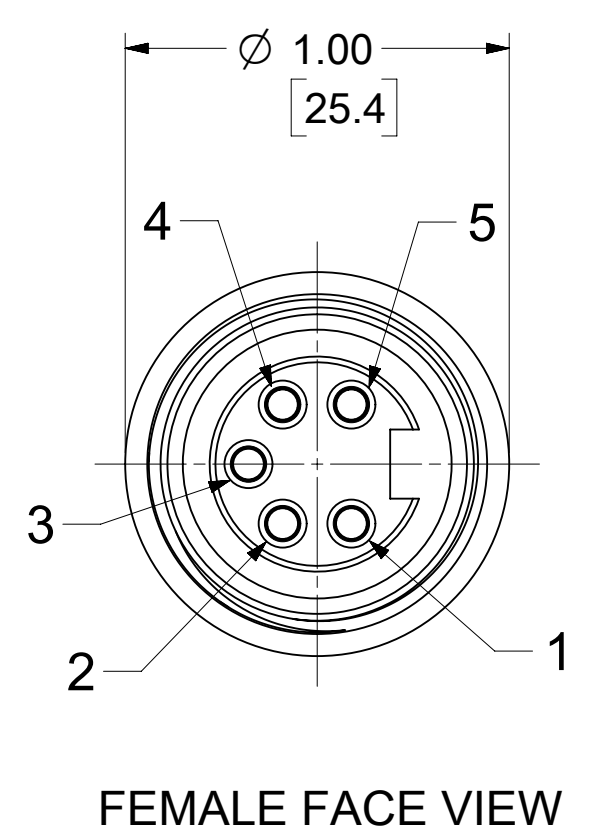
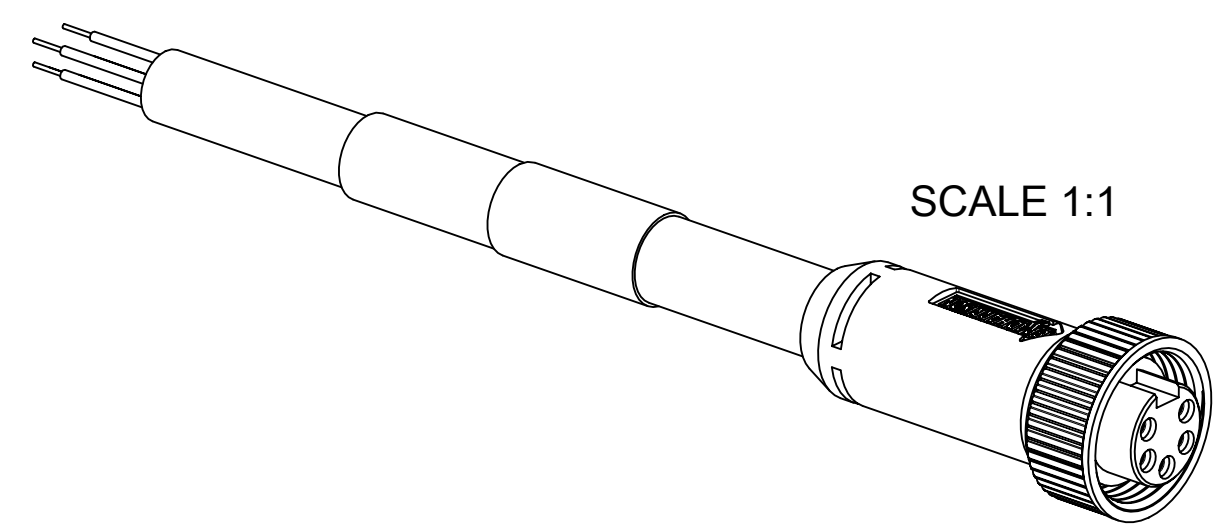


MATERIAL NO.	ENGINEERING NO.	FINISHED LENGTH
1300240073	DN10A-M010	1 M (3 FT 3.37 IN)
1300240078	DN10A-M030	3 M (9 FT 10.11 IN)
1300240080	DN10A-M050	5 M (16 FT 4.85 IN)

**CABLE LENGTH TOLERANCES**  
<.3M [1FT]: +19mm-0 [ +.75in-0]  
.3 - .9M [1 - 3FT]: +44.5mm-0 [+1.75in-0]  
.9 - 1.8M [3 - 6FT]: +55.6mm-0 [+2.19in-0]  
1.8 - 3.7M [6 - 12FT]: +88.9mm-0 [+3.50in-0]  
3.7 - 7.3M [12 - 24FT]: +165.1mm-0 [+6.50in-0]  
7.3-14.6M [24 - 48FT]: +317.5mm-0 [+12.50in-0]  
14.6 - 30.5M [48-100FT]: +622.3mm-0 [+24.50in-0]  
OVER 30M [100FT] +2% OF FINISHED LENGTH



- NOTES:**
- MATERIAL: AS NOTED
  - FINISH: AS NOTED
  - ELECTRICAL:  
VOLTAGE RATING: 300V  
CURRENT: 4A
  - TEMP RATING: -20°C TO +80°C (B)
  - PROTECTION: IP67 (WHEN MATED) (B)
  - CSA CERTIFIED FILE: LR6837 (B)  
UL RECOGNIZED FILE: E152210
  - COUPLING THREAD: 7/8-16UN
  - ALL DIMS ARE FOR REFERENCE UNLESS TOLERANCED OR NOTED OTHERWISE

**WIRING DIAGRAM**

S1	DESCRIPTION
1	DRAIN
2	RED +V
3	BLACK -V
4	WHITE CAN H
5	BLUE CAN L

**PART NUMBER LEGEND (B)**

**DN10A-M010**

FINISHED LENGTH  
M005= 0.5 M  
M010= 1 M  
M100= 10M

ITEM	DESCRIPTION	MATERIAL	FINISH
7	WRAP LABEL	VINYL	BLACK/YELLOW
6	OVERMOLD	TPE	GRAY
5	FRICITION RING	NYLON	WHITE
4	COUPLING NUT	ZINC DIE CAST	BLACK E-COAT
3	SOCKET CONTACT	Cu ALLOY	GOLD OVER NICKEL
2	FEMALE INSERT	TPE	BLACK
1	CABLE, DEV-NET, TRUNK, 18-2, 15-2	PVC JACKET	GRAY
ITEM	DESCRIPTION	MATERIAL	FINISH

FUNCTIONAL SYMBOLS	THIS DRAWING CONTAINS INFORMATION THAT IS PROPRIETARY TO MOLEX ELECTRONIC TECHNOLOGIES, LLC AND SHOULD NOT BE USED WITHOUT WRITTEN PERMISSION			
	DIMENSION UNITS	SCALE	CURRENT REV DESC: UPDATED ITEM #2.6 WERE PVC & MATERIAL P/N TABLE. REMOVED ADDN. SOCKET TO AVOID DUPLICATION, ADDED CSA, UL, TEMP RATING, IP RATING, TOL. CHART & PART NUMBER LEGEND	
	INCH/MM	2:1	EC NO: 698297	
	GENERAL TOLERANCES (UNLESS SPECIFIED)		DRWN: AKABADI 2021/10/13	
DIVISIONAL SYMBOLS	4 PLACES	±	±	2022/03/16
	3 PLACES	±	±	2022/03/16
	2 PLACES	±	±	2022/03/26
	1 PLACE	±	±	
0 PLACES	±	±		
ANGULAR TOL		±	°	
DRAFT WHERE APPLICABLE MUST REMAIN WITHIN DIMENSIONS		THIRD ANGLE PROJECTION		DRAWING SERIES
		C-SIZE		130024

DOCUMENT NUMBER		DOC TYPE	DOC PART	REVISION
SD-130024-003		PSD	001	B
MATERIAL NUMBER	CUSTOMER	SHEET NUMBER		
SEE TABLE	GENERAL MARKET	1 OF 1		