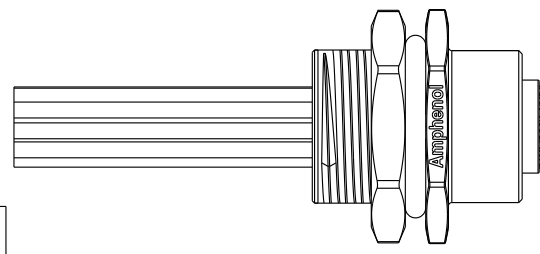
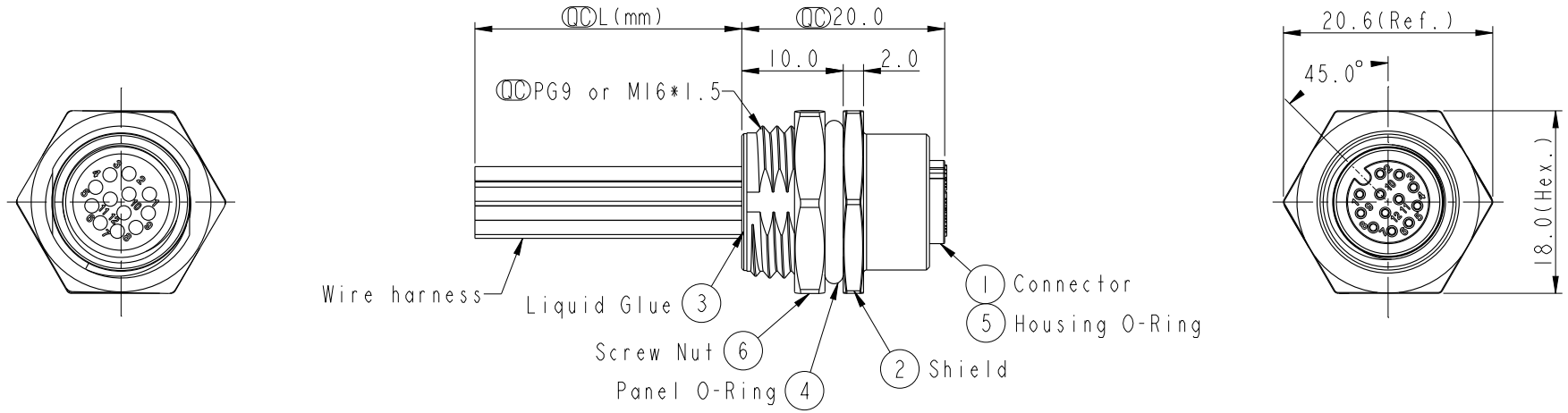
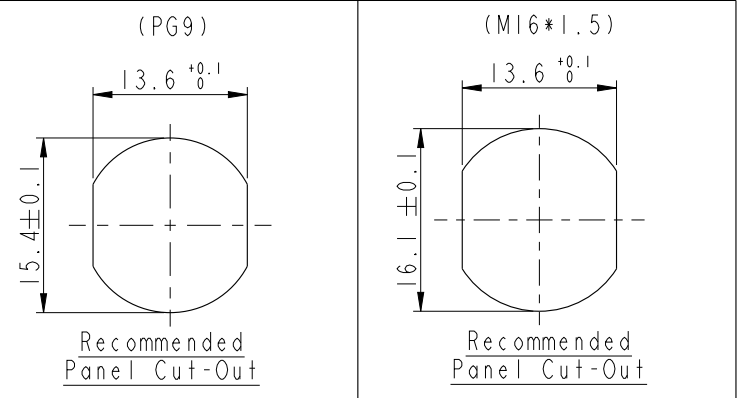


THIS DOCUMENT IS SUBJECT TO CHANGE WITHOUT NOTICE. IT IS CONFIDENTIAL AND A PROPERTY OF AMPHENOL LTW. DISCLOSURE TO THIRD PARTY HAS TO BE AUTHORIZED BY AMPHENOL LTW.

REV.	ECN NO.	DATE	SIGN	DESCRIPTION
C	LEN1680557-568	2016/08/08	Yulong_wang	Add 6Pin & IP69K.
D	E191630	2019/09/19	Ruru	Update Wire Tolerance
E	BOMR19100207	2019-10-30	Peng	Add 17Pin

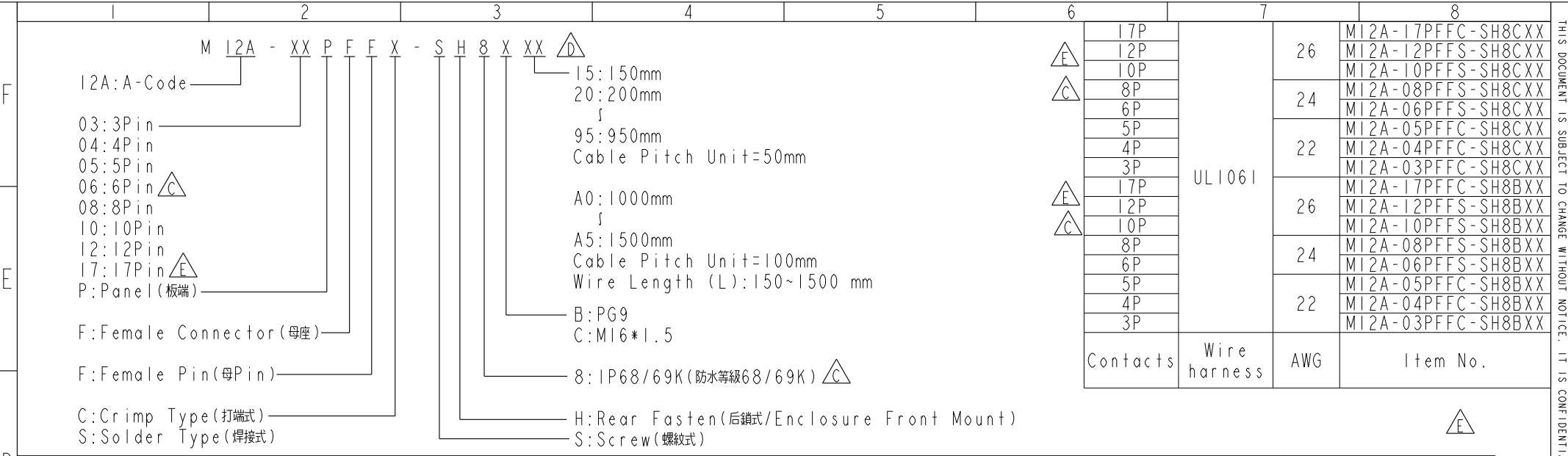


- Notes:
- * \varnothing Important Dimension.
 - * Waterproof Rate: IP68, IP69K.
 - * Connector: Nylon+GF, Black.
 - * Female Pin: Copper Alloy, Gold Plated.
 - * Shield: Zinc Alloy, Nickel Plated.
 - * Screw Nut: Zinc Alloy, Nickel Plated.
 - * Panel O-Ring: Viton, Black.
 - * Housing O-Ring: Viton, Green.
 - * Wire harness: ULI061
 - * Rated Voltage: 3 & 4Pin 250V dc. or ac.
5Pin 60V dc. or ac.
6~12Pin, 17Pin 30V dc. or ac.
 - * Rated Current: 3~5Pin 4A
6~8Pin 2A
10~12Pin, 17Pin 1.5A
 - * Operating Temperature: -25~85°C
 - * For Panel Thickness Max 4.5mm.
 - * Nut Torque: 4-6 Kgf.cm.
 - * Wire harness Tolerance: 150~300±15mm
301~1000±20mm
Over 1000 ±50/-0mm



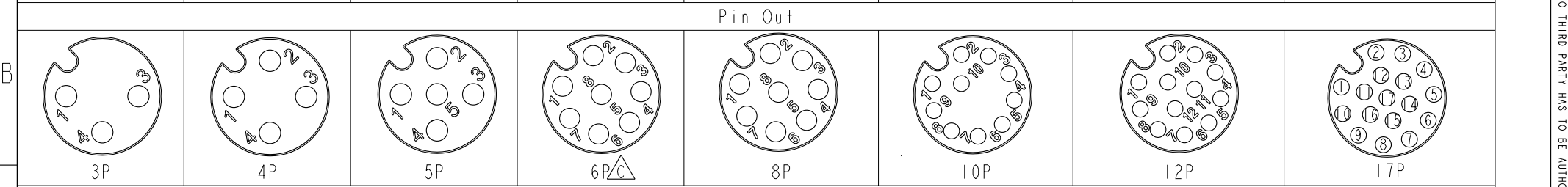
UNIT: mm		TITLE MI2 A-Code Female Conn. Panel Rear With Wire harness			<h1 style="margin: 0;">Amphenol LTW</h1> <p style="margin: 0;">安費諾亮泰企業股份有限公司</p>	ITEM NO	DRAWN BY	DATE
		TOLERANCE .X ±0.25 .XX ±0.1 .XXX ±0.05 ANGLES ±1°	SCALE 3:2	SIZE A4		SHEET 1 OF 2	DWG NO MI2A-XXPFFX-SH8XXX	CHECKED BY Rita
		REV. E	WC-REV. A.3	Inspection item	CUSTOMER ALTW	APPROVED BY Max	DATE 2019-09-19	

THIS DOCUMENT IS SUBJECT TO CHANGE WITHOUT NOTICE. IT IS CONFIDENTIAL AND A PROPERTY OF Amphenol LTW. DISCLOSURE TO THIRD PARTY HAS TO BE AUTHORIZED BY Amphenol LTW.



UL1061	17P	26	M12A-17PFFC-SH8CXX
	12P		M12A-12PFFS-SH8CXX
	10P		M12A-10PFFS-SH8CXX
	8P	24	M12A-08PFFS-SH8CXX
	6P		M12A-06PFFS-SH8CXX
	5P		M12A-05PFFC-SH8CXX
	4P	22	M12A-04PFFC-SH8CXX
	3P		M12A-03PFFC-SH8CXX
	17P		26
	12P	M12A-12PFFS-SH8BXX	
	10P	M12A-10PFFS-SH8BXX	
	8P	24	M12A-08PFFS-SH8BXX
	6P		M12A-06PFFS-SH8BXX
	5P		M12A-05PFFC-SH8BXX
	4P	22	M12A-04PFFC-SH8BXX
	3P		M12A-03PFFC-SH8BXX
	Contacts	Wire harness	AWG

Pin #	Wire	Pin #	Wire	Pin #	Wire	Pin #	Wire	Pin #	Wire	Pin #	Wire	Pin #	Wire	Pin #	Wire	Pin #	Wire		
5	--	5	--	5	Gray	灰	5	--	5	Gray	灰	5	--	5	Gray	灰	5	Gray	
4	Black	4	Black	4	Black	黑	4	Blue	4	Blue	藍	4	Yellow	4	Yellow	4	Yellow		
3	Blue	3	Blue	3	Blue	藍	3	Green	3	Green	綠	3	Brown	3	Brown	3	Brown		
2	--	2	White	2	White	白	2	Red	2	Red	紅	2	White	2	White	2	White		
1	Brown	1	Brown	1	Brown	棕	1	Blue	1	Blue	藍	1	White	1	White	1	White		
12	--	11	--	10	Violet	紫	9	Black	9	Black	黑	8	Red	8	Red	8	Red		
11	--	10	Violet	10	Violet	紫	9	Black	9	Black	黑	8	Red	8	Red	8	Red		
10	Violet	9	Black	9	Black	黑	8	Red	8	Red	紅	7	Blue	7	Blue	7	Blue		
9	Black	8	Red	8	Red	紅	7	Blue	7	Blue	藍	6	Pink	6	Pink	6	Pink		
8	Red	7	Blue	7	Blue	藍	6	Pink	6	Pink	粉	5	Gray	5	Gray	5	Gray		
7	Blue	6	Pink	6	Pink	粉	5	Gray	5	Gray	灰	4	Yellow	4	Yellow	4	Yellow		
6	Pink	5	Gray	5	Gray	灰	4	Yellow	4	Yellow	黃	3	Green	3	Green	3	Green		
5	Gray	4	Yellow	4	Yellow	黃	3	Green	3	Green	綠	2	Brown	2	Brown	2	Brown		
4	Yellow	3	Green	3	Green	綠	2	Brown	2	Brown	棕	1	White	1	White	1	White		
3	Green	2	Brown	2	Brown	棕	1	White	1	White	白	17	White/Gray	16	Yellow/Brown	15	White/Yellow		
2	Brown	1	White	1	White	白	17	White/Gray	16	Yellow/Brown	15	White/Yellow	14	Brown/Green	13	White/Green	12	Red/Blue	
1	White	17	White/Gray	16	Yellow/Brown	15	White/Yellow	14	Brown/Green	13	White/Green	12	Red/Blue	11	Gray/Pink	10	Violet	9	Red
17	White/Gray	16	Yellow/Brown	15	White/Yellow	14	Brown/Green	13	White/Green	12	Red/Blue	11	Gray/Pink	10	Violet	9	Red	8	Gray
16	Yellow/Brown	15	White/Yellow	14	Brown/Green	13	White/Green	12	Red/Blue	11	Gray/Pink	10	Violet	9	Red	8	Gray	7	Black
15	White/Yellow	14	Brown/Green	13	White/Green	12	Red/Blue	11	Gray/Pink	10	Violet	9	Red	8	Gray	7	Black	6	Yellow
14	Brown/Green	13	White/Green	12	Red/Blue	11	Gray/Pink	10	Violet	9	Red	8	Gray	7	Black	6	Yellow	5	Pink
13	White/Green	12	Red/Blue	11	Gray/Pink	10	Violet	9	Red	8	Gray	7	Black	6	Yellow	5	Pink	4	Green
12	Red/Blue	11	Gray/Pink	10	Violet	9	Red	8	Gray	7	Black	6	Yellow	5	Pink	4	Green	3	White
11	Gray/Pink	10	Violet	9	Red	8	Gray	7	Black	6	Yellow	5	Pink	4	Green	3	White	2	Blue
10	Violet	9	Red	8	Gray	7	Black	6	Yellow	5	Pink	4	Green	3	White	2	Blue	1	Brown
9	Red	8	Gray	7	Black	6	Yellow	5	Pink	4	Green	3	White	2	Blue	1	Brown		棕



Pin Assignments Front View

UNIT: mm		TITLE		ITEM NO		DRAWN BY		DATE		
		M12 A-Code Female Conn. Panel Rear With Wire harness		M12A-XXPFFX-SH8XXX		Ruru		2019-09-19		
		SCALE	SIZE	SHEET	OF	CHECKED BY	DATE			
		3:2	A4	2	2	Rita	2019-09-19			
TOLERANCE		REV.	WC-REV.	CUSTOMER		APPROVED BY		DATE		
.X ±0.25 .XX ±0.1 .XXX ±0.05 ANGLES ±1°		E	A.3	ALTW		Max		2019-09-19		
				Amphenol LTW 安費諾亮泰企業股份有限公司						