

Ratings

Voltage: 300 V
 Temperature: -40~105 °C
 Flammability: VW-1

Conductor

Conductor count: 7
 Gauge: 26 AWG 0.15 mm²
 Material: tinned copper strands
 Strand size: $\varnothing 0.1 \times 19$
 Resistance at 20 °C: 150 Ω /km max

Insulator

Material: FEP
 Color: red, black, white, yellow, blue, green, orange
 Diameter: $\varnothing 0.82 \pm 0.10$
 Nominal thickness: 0.13 mm
 Resistance at 20 °C: 10 M Ω /km min

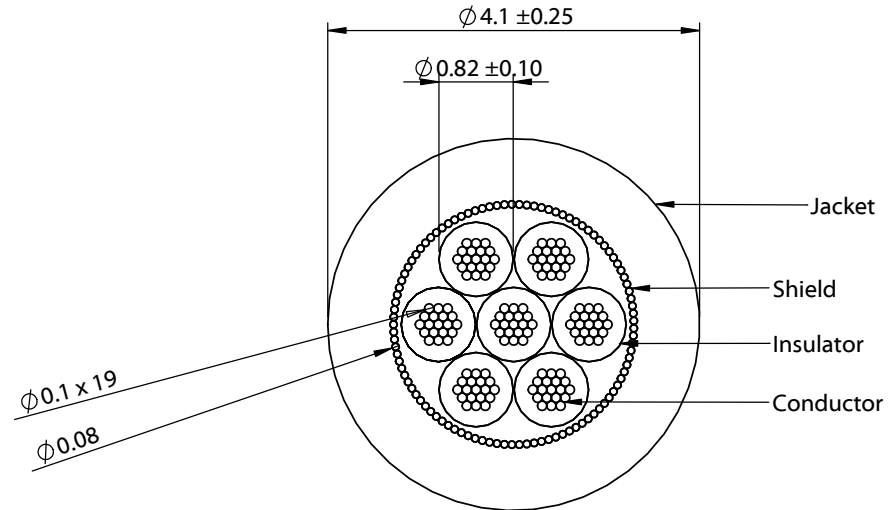
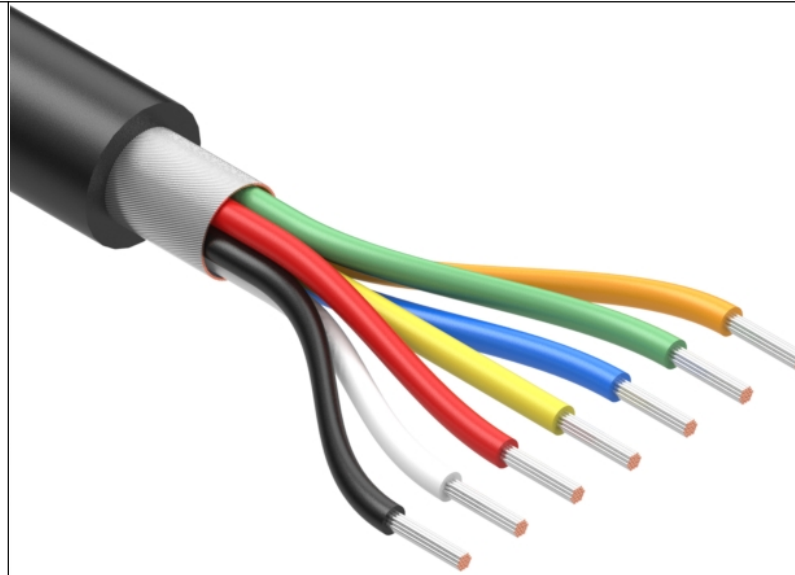
Shield

Material: tinned copper strands
 Strand size: $\varnothing 0.08$ mm, 85% min coverage


Outer jacket

Material: TPE, 78A
 Color: black, matte
 Diameter: $\varnothing 4.1 \pm 0.25$
 Nominal thickness: 0.6 mm

Wire marking: E339579 UL AWM STYLE 21296 26 AWG 105°C
 300V VW-1 --- cUL AWM I A 105°C 300V FT1 TENSILITY DGT



TENSILITY

Revision:	Date:	Description:	Prepared: MP <small>Digitally signed by MP Date: 2021.11.01 11:51:31 -07'00'</small>	Notes:	tel 1.541.323.3228 800 877.670.7118 fax 1.541.323.4202 web tensility.com
A	10/25/2021	Initial release	Verified: JD <small>Digitally signed by JD Date: 2021.11.03 15:26:23 -07'00'</small>	RoHS compliant Phthalate free Function test: no open, no short circuit, no intermittent	
			Dimensions are in millimeters. Tolerances: X: ± 0.5 mm X.X: ± 0.3 mm X.XX: ± 0.05 mm	Description: Wire, 7C TS, 26 AWG, UL 21296, 300V, 105C, 4.1 mm, shielded, VW-1, TPE	Size: A Part number: 30-02454
					Scale: 12:1  Sheet 1 of 1

4

4

3

2

1