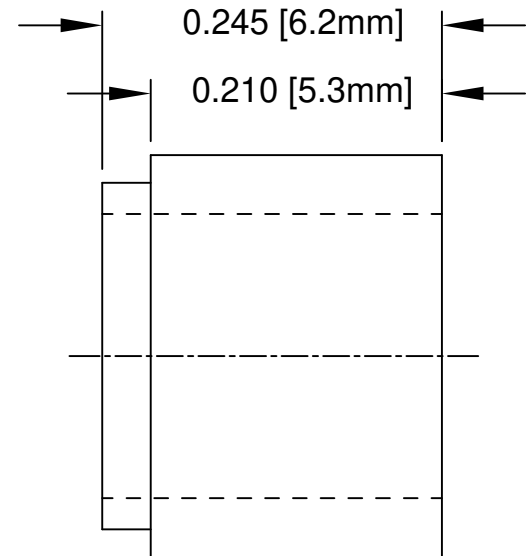
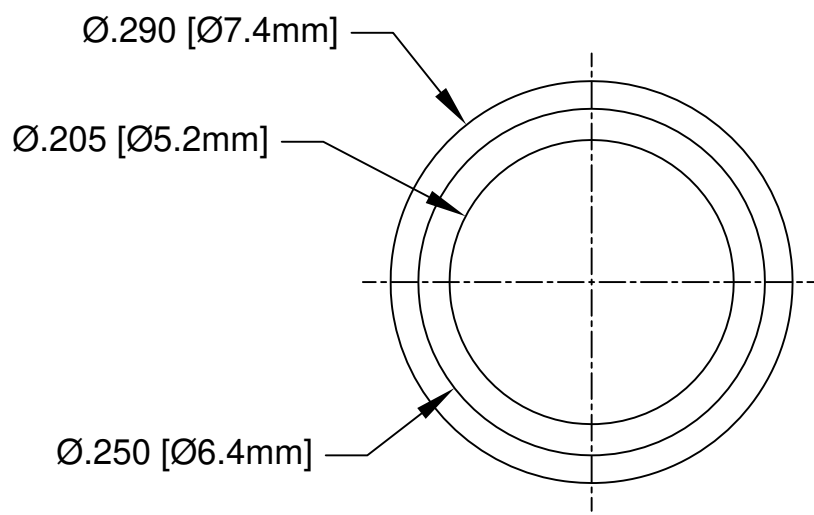



REV.	DESCRIPTION	DATE	APPROVED
C	Engineering Update w/o Changes	02/27/04	M. C.
D	Removed Material Code	05/21/16	J. C.



2. MATERIAL: NYLON 6/6, 94V-0, BLACK.

1. GENERAL SPECIFICATIONS: BIVAR MOLDED COMPONENT SPECIFICATION BV00-E101.

STANDARD TOLERANCE (UNLESS OTHERWISE SPECIFIED) <u>DECIMALS</u> <u>ANGULAR</u> .X ± .1 X° ± 1° .XX ± .01 .XXX ± .005		 4 THOMAS, IRVINE, CA. 92618 TEL: (949) 951-8808 FAX: (949) 951-3974	
DESIGNED: S. Irving	DATE: 05/13/02	TITLE: T-1¼ (5mm) LIGHT SHIELD	
CHECKED: M. Chen	DATE: 05/13/02	PART NO: LS-1	REVISION: D
		CAGE CODE : 32559	SHEET # 1 OF 1
<small>CAD GENERATED DOCUMENT, DO NOT MEASURE DRAWING.</small>			