

# High Frequency Ceramic Solutions

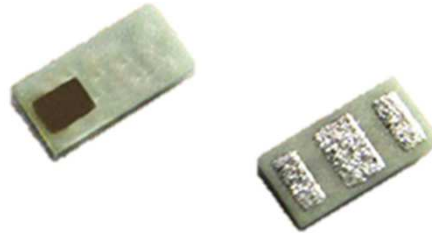
5GHz EIA 0603 Low Profile Band Pass Filter

P/N 5550BP14A0800

Detail Specification: 2/27/2020

Page 1 of 4

General Specifications	
Part Number	5550BP14A0800
Frequency (MHz)	5150 - 5950
Insertion Loss (dB)	0.7 typ.@25°C 0.9 max.@-40C~ 85°C
Return Loss (dB)	12 min.
Power Capacity (W)	3 max. (CW)



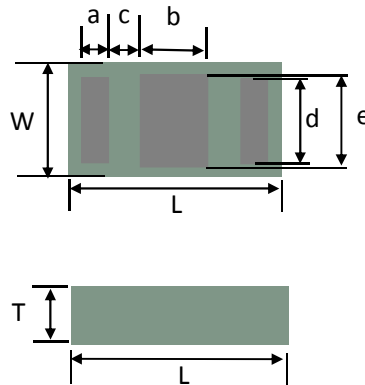
Attenuation (dB)		Reel Quantity	4,000 pcs
700 - 2690 MHz	35min.	Operating Temperature	-40 to +85°C
3400 - 3800 MHz	30min.	Recommended Storage Conditions of unused product on T&R	+5 to +35°C, 18 mos. max. Humidity 45~75% RH
7250 - 7800 MHz	12min.		
10300 - 11700 MHz	20min.		

## Part Number Explanation

P/N Suffix	Packing Style	Bulk	Suffix = S	Eg. 5550BP14A0800S
		T & R	Suffix = T	Eg. 5550BP14A0800T
	Termination style	100% Tin	Suffix = None	Eg. 5550BP14A0800 (T or S)
	Evaluation Board	5550BP14A0800-EB1SMA (2 female SMA connectors)		

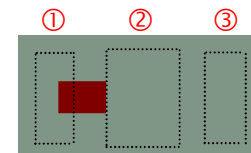
## Mechanical Dimensions

	In	mm
L	0.063 ± 0.006	1.60 ± 0.15
W	0.031 ± 0.006	0.80 ± 0.15
T	0.024 max.	0.6max.
a	0.010 ± 0.004	0.25 ± 0.10
b	0.016 ± 0.004	0.40 ± 0.10
c	0.009 ± 0.002	0.23 ± 0.05
d	0.022 ± 0.004	0.55 ± 0.10
e	0.024 ± 0.004	0.60 ± 0.10



## Terminal Configuration

No.	Function
1	I/O
2	GND
3	I/O



Johanson Technology, Inc. reserves the right to make design changes without notice.

All sales are subject to Johanson Technology, Inc. terms and conditions.



<https://www.johansontechnology.com>

4001 Calle Tecate • Camarillo, CA 93012, USA • TEL +1.805.389.1166

Ver 2.0

2020 Johanson Technology, Inc. All Rights Reserved

# High Frequency Ceramic Solutions

5GHz EIA 0603 Low Profile Band Pass Filter

P/N 5550BP14A0800

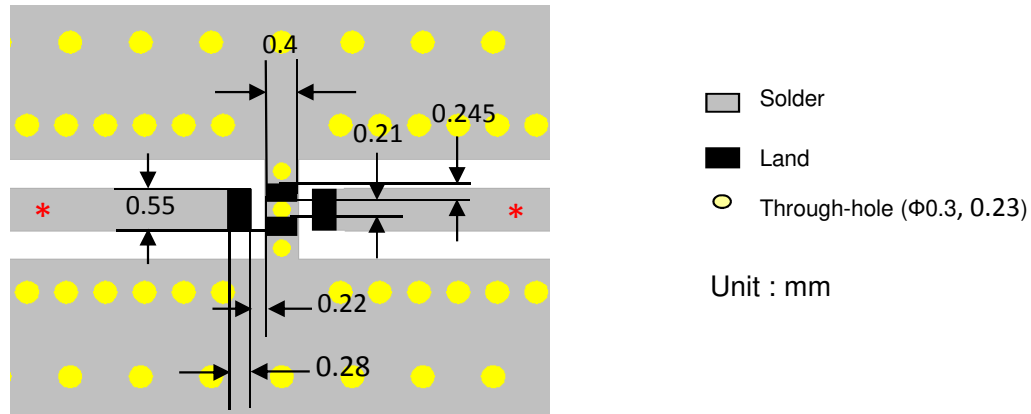
Detail Specification: 2/27/2020

Page 2 of 4

## Mounting Considerations

Mount these devices with colored mark facing up.

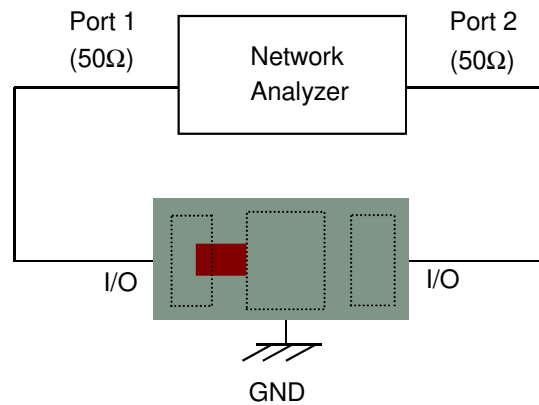
\* Line width should be designed to provide 50ohm impedance matching characteristics.



Need our help laying this out for you? Need the layout file? Send us a message at:

<https://www.johansontechnology.com/ask-a-question>

## Measuring Diagram



Johanson Technology, Inc. reserves the right to make design changes without notice.

All sales are subject to Johanson Technology, Inc. terms and conditions.



<https://www.johansontechnology.com>

4001 Calle Tecate • Camarillo, CA 93012, USA • TEL +1.805.389.1166

Ver 2.0

2020 Johanson Technology, Inc. All Rights Reserved

# High Frequency Ceramic Solutions

5GHz EIA 0603 Low Profile Band Pass Filter

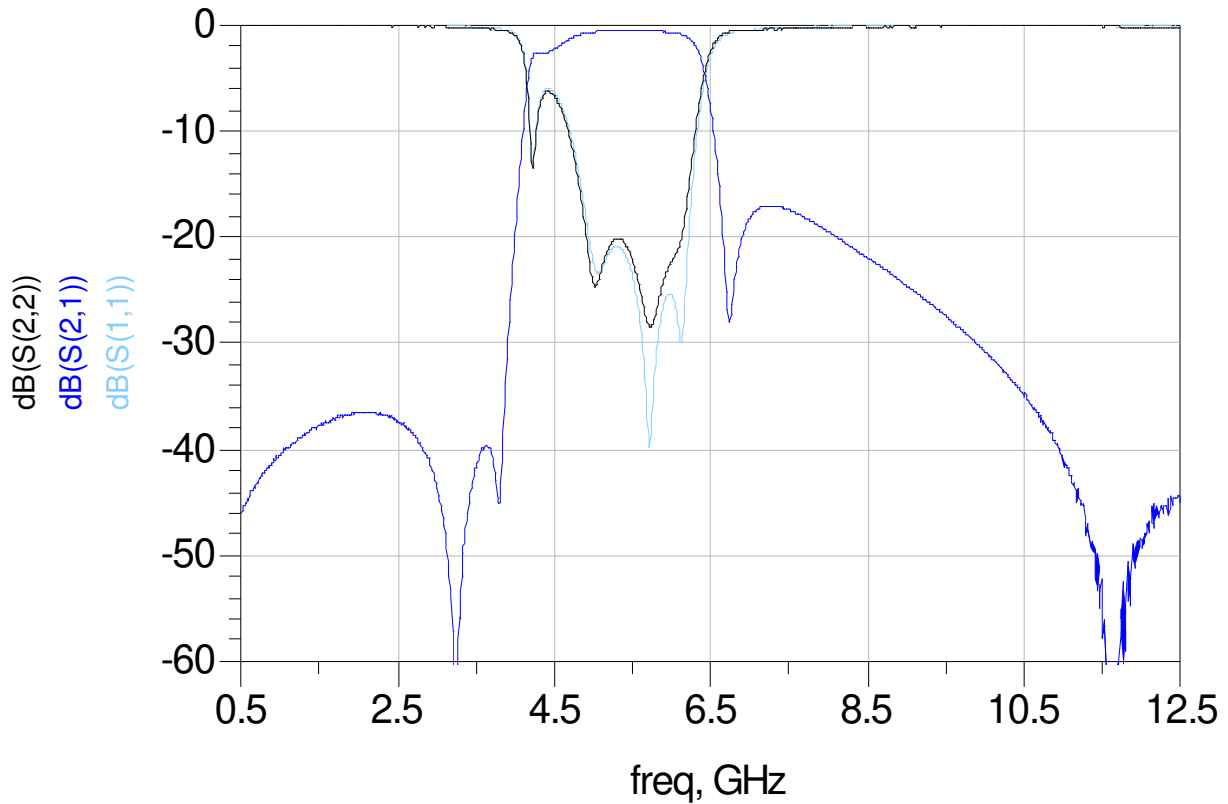
P/N 5550BP14A0800

Detail Specification: 2/27/2020

Page 3 of 4

## Typical Electrical Characteristics (T=25°C)

### Insertion and Return Loss



Johanson Technology, Inc. reserves the right to make design changes without notice.

All sales are subject to Johanson Technology, Inc. terms and conditions.



<https://www.johansontechnology.com>

4001 Calle Tecate • Camarillo, CA 93012, USA • TEL +1.805.389.1166

Ver 2.0

2020 Johanson Technology, Inc. All Rights Reserved

# High Frequency Ceramic Solutions

**5GHz EIA 0603 Low Profile Band Pass Filter**

**P/N 5550BP14A0800**

Detail Specification: 2/27/2020

Page 4 of 4

## Application Notes, Layout Files, and more

<https://www.johansontechnology.com/band-pass-filters>

## Packaging information

<https://www.johansontechnology.com/tape-reel-packaging>

## Soldering Information

<https://www.johansontechnology.com/ipcsoldering-profile>

## MSL Info

<https://www.johansontechnology.com/msl-rating>

## Recommended Storage Condition and Max Shelf Life

<https://www.johansontechnology.com/recommended-storage-conditions>

## RoHS Compliance

<https://www.johansontechnology.com/rohs-compliance>

## Antenna layout and tuning techniques

<https://www.johansontechnology.com/tuning>

## Antenna layout review, tuning, and characterization services

<https://www.johansontechnology.com/ipc-antenna-services>

## P/N Explanation and Breakdown

<https://www.johansontechnology.com/ipc-pn-explained>

Johanson Technology, Inc. reserves the right to make design changes without notice.

All sales are subject to Johanson Technology, Inc. terms and conditions.



<https://www.johansontechnology.com>

4001 Calle Tecate • Camarillo, CA 93012, USA • TEL +1.805.389.1166

Ver 2.0

2020 Johanson Technology, Inc. All Rights Reserved