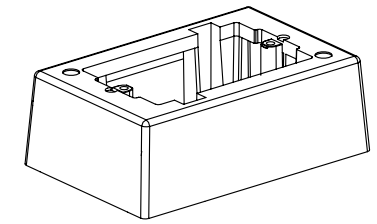
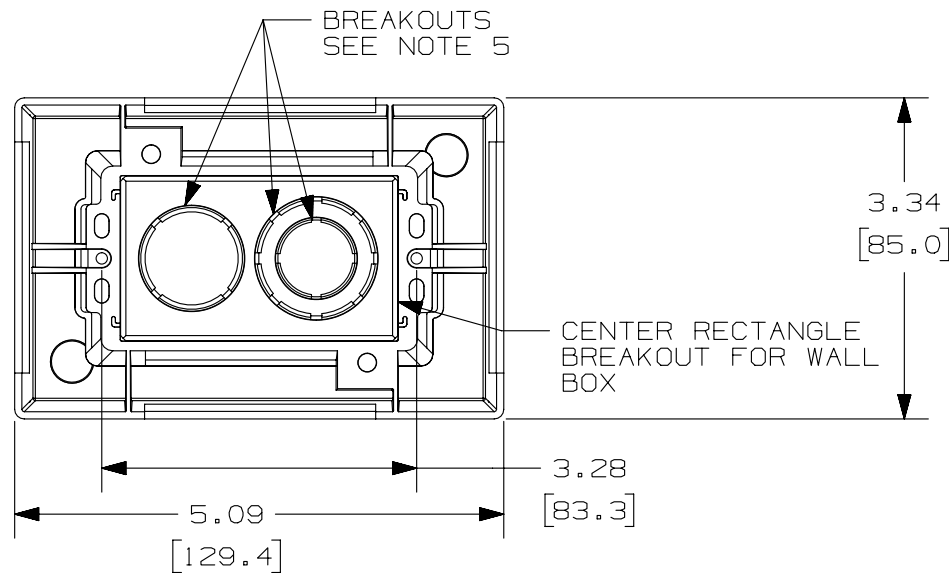
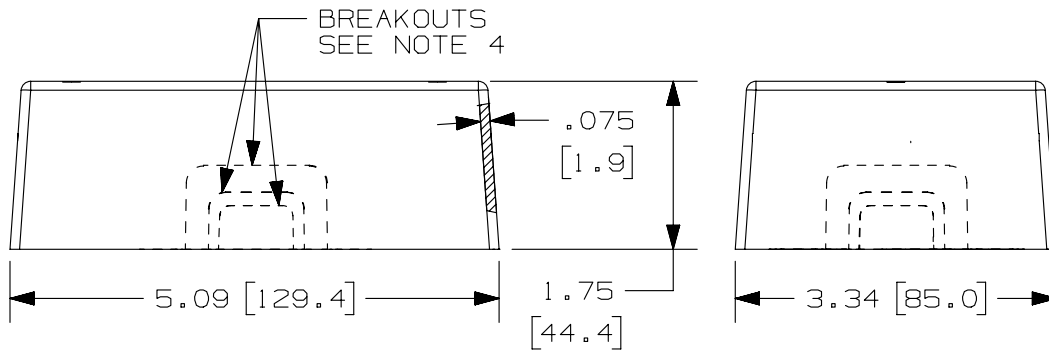


THIS COPY IS PROVIDED ON A RESTRICTED BASIS AND IS NOT TO BE USED IN ANY WAY DETRIMENTAL TO THE INTERESTS OF PANDUIT CORP.

NO WARRANTY, EXPRESSED OR IMPLIED, IS MADE BY PANDUIT WITH RESPECT TO ADHESIVE BOND PERFORMANCE. AMONG OTHER THINGS, THE CONDITIONS UNDER WHICH THESE MOUNTS MAY BE APPLIED AND/OR THE SURFACE TO WHICH THEY MAY BE APPLIED ARE BEYOND PANDUIT CONTROL.



PANDUIT PART NUMBER	WEIGHT	VOLUME CU. IN./CC
JB1-A	0.17 LB [75.9 G]	22.9 [376]

NOTES:

1. SEE CURRENT CATALOG FOR ADDITIONAL PART SUFFIXES TO INDICATE COLOR AND OR PACKAGE QUANTITY.
2. ADHESIVE PRESSURE SENSITIVE FOAM .040 (1.0) THICK WITH PROTECTIVE LINER IS PROVIDED FOR EASE OF MOUNTING.
3. DIMENSIONS IN PARENTHESIS ARE IN METRIC.
4. BREAKOUTS ARE PROVIDED FOR LDS, LD & LDPH RACEWAYS.
5. BEAKOUTS TO ACCOMODATE CONDUIT SIZES OF 1/2" 3/4" & 1" DIAMETERS.

TITLE		ONE PIECE JUNCTION BOX JB1-A	
ITEM REVISION NAME		CUSTOMER DRAWING	
DATASET FILE NAME		D35541DQ/00	
UNLESS OTHERWISE SPECIFIED, DIMENSIONAL TOLERANCES ARE: IN [mm]		PANDUIT	
.X ±		.XXX ±	
.XX ± .03 [.8]		ANGLES ±	
DRAWING NUMBER:		POLYSTYRENE	
35541-53		DRAWING NUMBER: 35541-53	
THIRD ANGLE PROJECTION	THIRD ANGLE PROJECTION	SHT 1 OF 1	SIZE A
DRAWN BY PM	DATE 10-15-96	CHK CEF	SCALE NONE

REV	DATE	BY	CHK	APR	DESCRIPTION	ECN
3	02-21-13	JBN	RTFI	RTFI	G. UPDATED DRAWING BORDER & TITLE BLOCK	35541-53

D10100DA/14