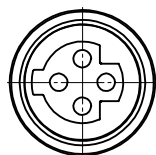
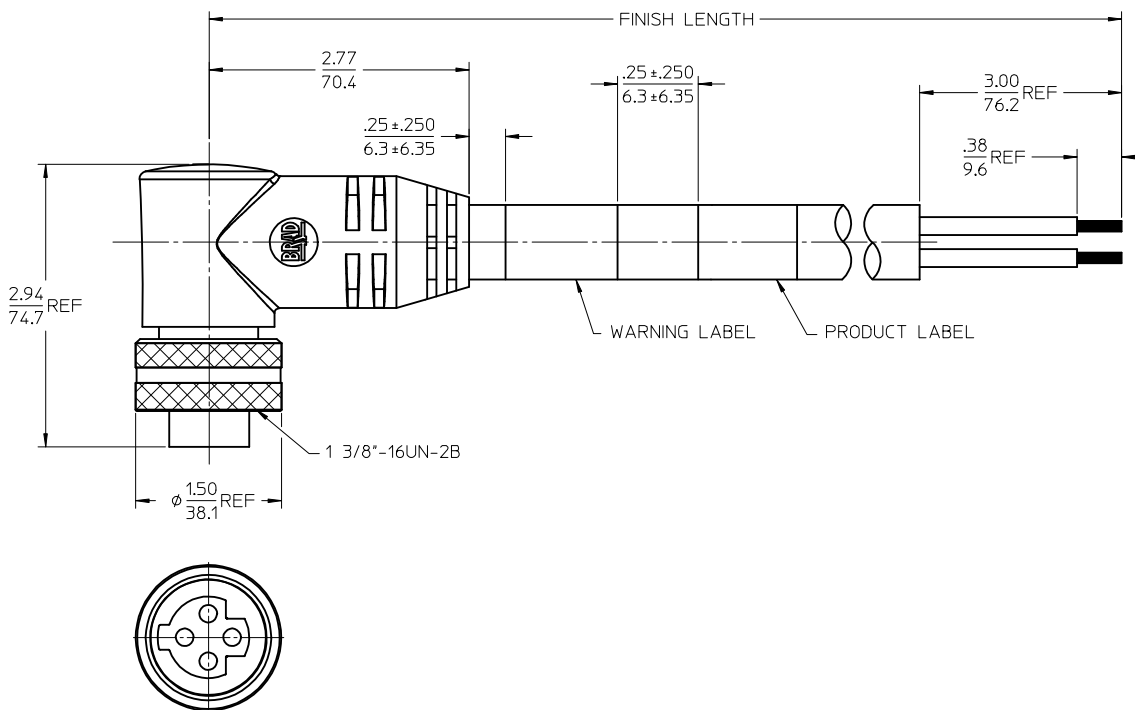
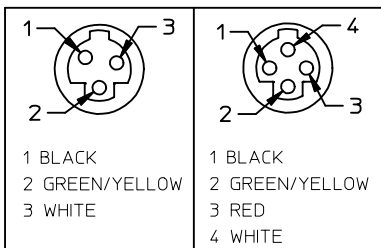


POLES	MATERIAL NO.	ENG. NO.	AMPS	LENGTH
3	1300630199	C03101A48M020	32	2M +89-0MM (6'7"+3.50-0)
4	1300630183	C04101A48M020	32	2M +89-0MM (6'7"+3.50-0)

FACE VIEW-FEMALE INSERT
3 POLE 4 POLE



SPECS:
OVERMOLD: GRAY PVC
INSERT: BLACK PVC
COUPLING NUT: ANODIZED ALUMINUM
CABLE: #10AWG GRAY PVC
DUAL RATED UL TC/OPEN WIRING & ST00W
ELECTRICAL: 600V AC/DC

UPDATED DRAWING IEC NO: IPG2014-1095 DRWNG:GGUSTAFSON 2015/09/02 CHKD:YOU 2015/11/12 APPR: JFMURPHY 2015/09/16	QUALITY SYMBOLS ▽=0 ▽=0	GENERAL TOLERANCES (UNLESS SPECIFIED)		DIMENSION STYLE IN/MM		SCALE 1:2	DESIGN UNITS INCH	THIRD ANGLE PROJECTION		
			mm	INCH	DRAWN BY B. RUPERT	DATE 01/12/2010	TITLE QUICK CHANGE FEMALE 90 DEG, ALT KEY 3 & 4 POLE PORTABLES MOLEX INCORPORATED			
		4 PLACES ± --- ± ---	3 PLACES ± --- ± .005	2 PLACES ± 0.13 ± .010	1 PLACE ± 0.25 ± .020	CHECKED BY B. WOODMAN				
			ANGULAR ±1/2°		APPROVED BY JFMURPHY	DATE 2010/01/15	MATERIAL NO. SEE CHART	DOCUMENT NO. SD-130063-199	SHEET NO. 1 OF 1	

DRAFT WHERE APPLICABLE
MUST REMAIN
WITHIN DIMENSIONS

THIS DRAWING CONTAINS INFORMATION THAT IS PROPRIETARY TO MOLEX INCORPORATED AND SHOULD NOT BE USED WITHOUT WRITTEN PERMISSION