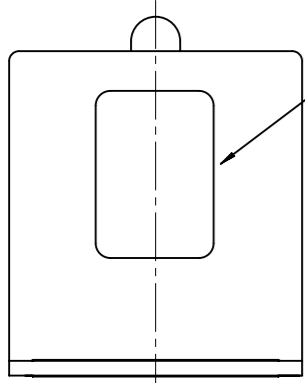


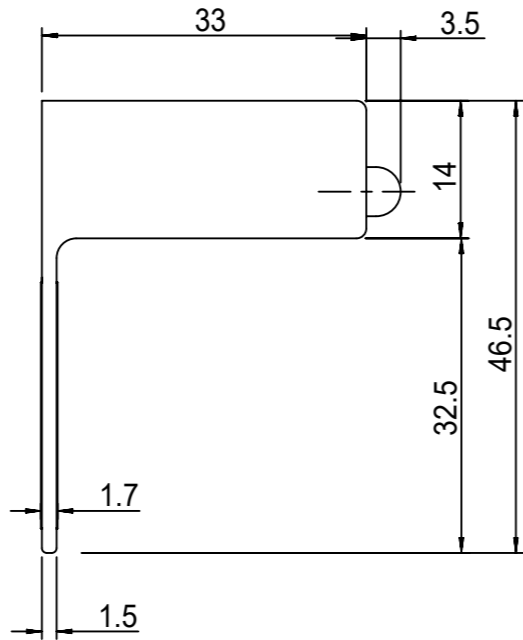
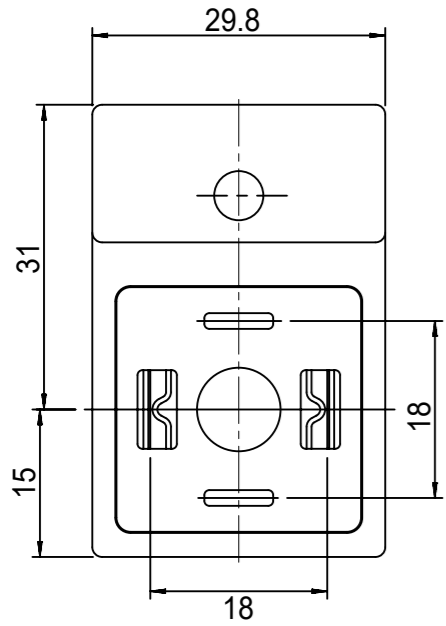
A 0 6 X X X

RODZAJ POLACZENIA/INTERNAL CIRCUIT
 PATRZ SCHEMATY POLACZEN/WIREING CONFIGURATION
 NAPIECIE ORAZ KOLOR DIODY/VOLTAGE AND LED COLOUR:

| | | | | | |
|---------|---------------------------|---------|----------------------------|---------|---------------------------|
| 1= 12V | CZERWONA DIODA RED LED | A= 12V | ZIELONA DIODA GREEN LED | G= 12V | ZOLTA DIODA YELLOW LED |
| 2= 24V | | B= 24V | | H= 24V | |
| 3= 48V | | C= 48V | | K= 48V | |
| 4= 115V | | D= 115V | | L= 115V | |
| 5= 230V | | E= 230V | | M= 230V | |

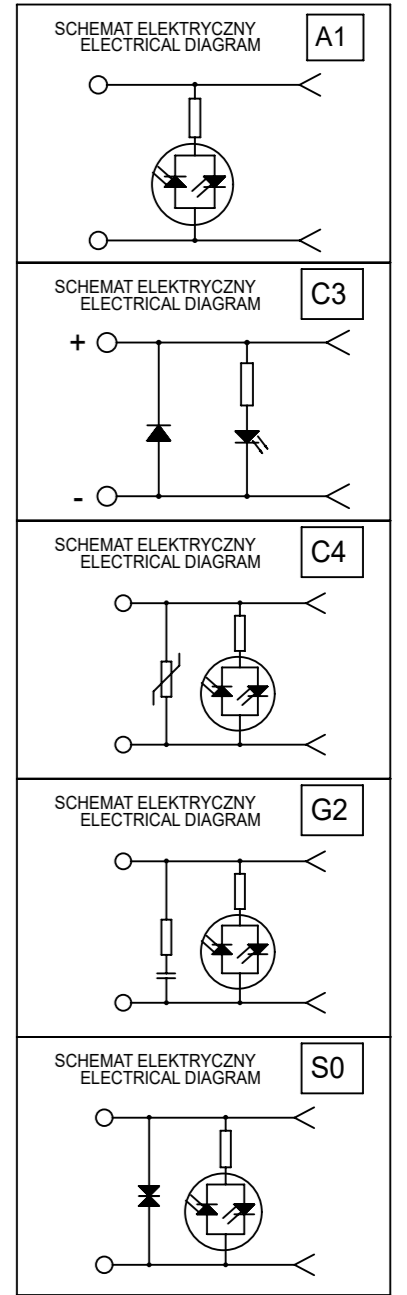


TAMPONADRUK SCHEMATU (BIALY)
 CIRCUIT PRINTOUT (WHITE)

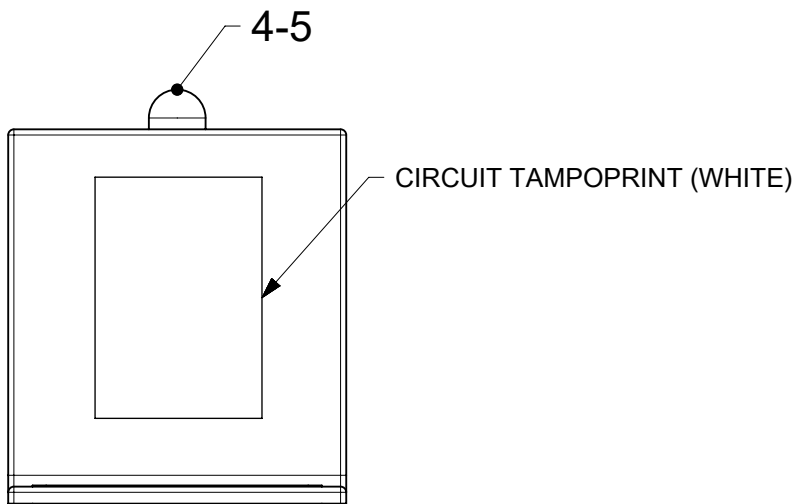
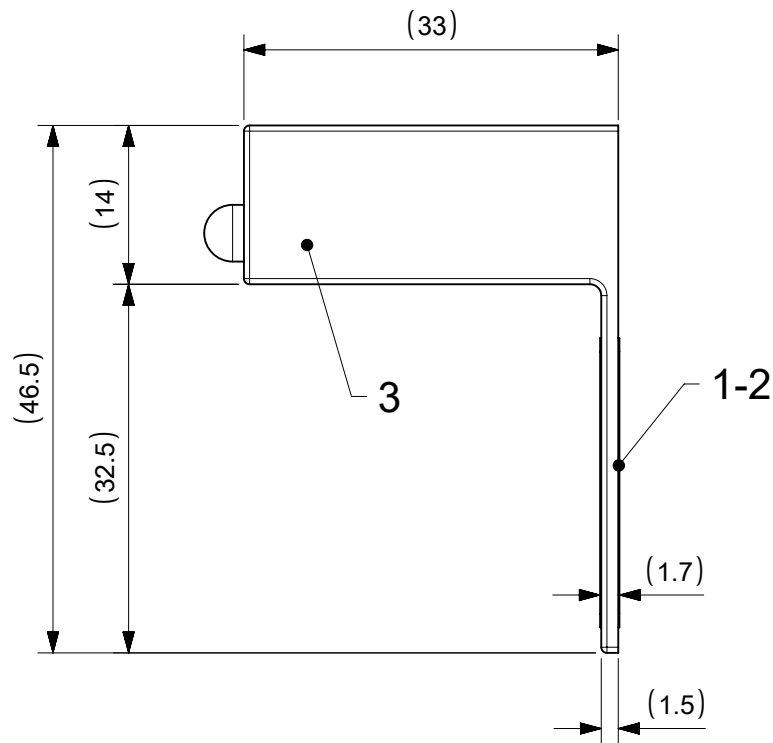
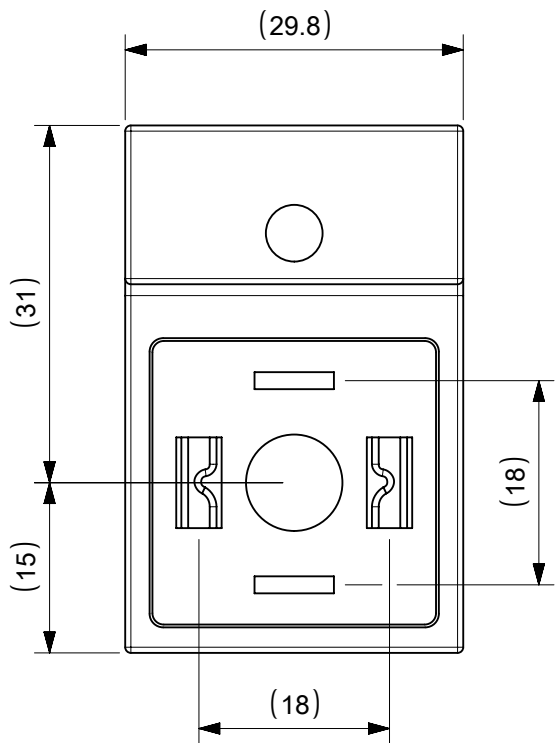


| MOLEX PN | MPM PN | MOLEX PN | MPM PN |
|------------|--------|------------|--------|
| 1210010190 | A06A12 | 1210010217 | A06C4E |
| 1210010194 | A06A1B | 1210010219 | A06C4H |
| 1210010197 | A06A1H | 1210010220 | A06C4L |
| 1210010202 | A06C32 | 1210010221 | A06C4M |
| 1210010206 | A06C3B | 1210010223 | A06G22 |
| 1210010207 | A06C3H | 1210010226 | A06G25 |
| 1210010210 | A06C42 | 1210010231 | A06G2H |
| 1210010212 | A06C44 | 1210010233 | A06G2L |
| 1210010213 | A06C45 | 1210010234 | A06G2M |
| 1210010214 | A06C4B | 1210010236 | A06S02 |
| | | 1210010240 | A06S0H |

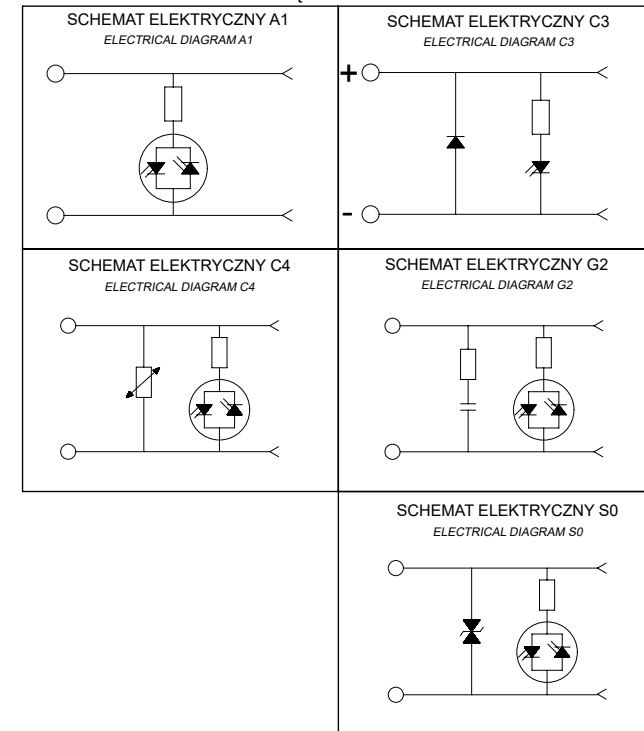
SCHEMATY POLACZEN
 /WIREING CONFIGURATION



| | | | | | | | | | | | | | |
|---|--|------------------------|--|---|--|--------|--|----------------------------------|--|----------------|--|--------------|--|
| THIS DRAWING CONTAINS INFORMATION THAT IS PROPRIETARY TO MOLEX ELECTRONIC TECHNOLOGIES, LLC AND SHOULD NOT BE USED WITHOUT WRITTEN PERMISSION | | | | | | | | | | | | | |
| DIMENSION UNITS | | SCALE | | CURRENT REV DESC: REMOVED OBSOLETE PART NUMBERS AS PER PCN#511691. | | | | | | | | | |
| MM | | NTS | | | | | | | | | | | |
| GENERAL TOLERANCES (UNLESS SPECIFIED) | | | | | | | | | | | | | |
| | | | | MPM A06 ADAPTORS PRODUCT CUSTOMER DRAWING | | | | | | | | | |
| | | | | | | | | | | | | | |
| 4 PLACES | | ± | | | | | | | | | | | |
| 3 PLACES | | ± | | | | | | | | | | | |
| 2 PLACES | | ± | | | | | | | | | | | |
| 1 PLACE | | ± | | | | | | | | | | | |
| 0 PLACES | | ± | | EC NO: 737858 DRWN: SANTHN 2023/02/08 CHK'D: GGA 2023/02/24 APPR: GGA 2023/02/24 | | | | DOCUMENT NUMBER A06XXX | | | | | |
| ANGULAR TOL | | ± ° | | INITIAL REVISION: DRWN: MLEVYTSKY 2009/05/05 APPR: MWOLSZCZAK 2009/05/05 | | | | DOC TYPE | | DOC PART | | REVISION | |
| DRAFT WHERE APPLICABLE MUST REMAIN WITHIN DIMENSIONS | | THIRD ANGLE PROJECTION | | DRAWING | | SERIES | | MATERIAL NUMBER | | CUSTOMER | | SHEET NUMBER | |
| | | | | A3-SIZE | | 121001 | | SEE TABLE | | GENERAL MARKET | | 1 OF 1 | |



SCHEMATY POŁĄCZEŃ/ WIRING CONFIGURATION



THIS DRAWING CONTAINS INFORMATION THAT IS PROPRIETARY TO MOLEX ELECTRONIC TECHNOLOGIES, LLC AND SHOULD NOT BE USED WITHOUT WRITTEN PERMISSION

| | | | |
|---------------------------------------|-------|---|--|
| DIMENSION UNITS | SCALE | CURRENT REV DESC: REMOVED OBSOLETE PART NUMBER AS PER PCN#511691. | |
| mm | 1:1 | | |
| GENERAL TOLERANCES (UNLESS SPECIFIED) | | | |
| ANGULAR TOL | ± | ° | |
| 4 PLACES | ± | EC NO: 737858 | |
| 3 PLACES | ± | DRWN: SANTHN 2023/02/10 | |
| 2 PLACES | ± | CHK'D: GGA 2023/02/24 | |
| 1 PLACE | ± | APPR: GGA 2023/02/24 | |
| 0 PLACES | ± | INITIAL REVISION: | |
| | | DRWN: JMARSZALEK 2013/02/11 | |
| | | APPR: MIWASIECZKO 2013/02/12 | |

molex

LIGHTS ADAPTORS
SERIES A06XXX FOR DIN A

PRODUCT CUSTOMER DRAWING

| | | | |
|-----------------|----------|----------|----------|
| DOCUMENT NUMBER | DOC TYPE | DOC PART | REVISION |
| SD-121001-006 | PSD | 001 | A2 |

| | | | | | | |
|--|------------------------|---------|--------|-----------------|----------------|--------------|
| DRAFT WHERE APPLICABLE MUST REMAIN WITHIN DIMENSIONS | THIRD ANGLE PROJECTION | DRAWING | SERIES | MATERIAL NUMBER | CUSTOMER | SHEET NUMBER |
| | | A4-SIZE | 121001 | SEE PART LIST | GENERAL MARKET | 1 OF 2 |

| | | | | |
|-----------------|----|--------------|------------|----------|
| DOCUMENT STATUS | P1 | RELEASE DATE | 2023/02/24 | 09:13:39 |
|-----------------|----|--------------|------------|----------|

PART LIST

| MOLEX PN | ENG. NO | CIRCUIT TYPE | LED COLOR |
|------------|---------|--------------|-----------|
| 1210010190 | A06A12 | A1 24V | RED |
| 1210010194 | A06A1B | A1 24V | GREEN |
| 1210010197 | A06A1H | A1 24V | YELLOW |
| 1210010202 | A06C32 | C3 24V | RED |
| 1210010206 | A06C3B | C3 24V | GREEN |
| 1210010207 | A06C3H | C3 24V | YELLOW |
| 1210010210 | A06C42 | C4 24V | RED |
| 1210010212 | A06C44 | C4 115V | RED |
| 1210010213 | A06C45 | C4 230V | RED |
| 1210010214 | A06C4B | C4 24V | GREEN |
| 1210010217 | A06C4E | C4 230V | GREEN |
| 1210010219 | A06C4H | C4 24V | YELLOW |
| 1210010220 | A06C4L | C4 115V | YELLOW |
| 1210010221 | A06C4M | C4 230V | YELLOW |
| 1210010223 | A06G22 | G2 24V | RED |
| 1210010226 | A06G25 | G2 230V | RED |
| 1210010231 | A06G2H | G2 24V | YELLOW |
| 1210010233 | A06G2L | G2 115V | YELLOW |
| 1210010234 | A06G2M | G2 230V | YELLOW |
| 1210010236 | A06S02 | S0 24V | RED |
| 1210010240 | A06S0H | S0 24V | YELLOW |
| 1210010437 | A06A1E | A1 230V | GREEN |
| 1210010500 | A06S0K | S0 48V | YELLOW |

PART No MATRIX



INTERNAL CIRCUIT

VOLTAGE AND LED COLOR

| | | | | | |
|---------|---------|---------|-----------|---------|------------|
| 1= 12V | RED LED | A= 12V | GREEN LED | G= 12V | YELLOW LED |
| 2= 24V | | B= 24V | | H= 24V | |
| 3= 48V | | C= 48V | | K= 48V | |
| 4= 115V | | D= 115V | | L= 115V | |
| 5= 230V | | E= 230V | | M= 230V | |

| ITEM | QTY | DESCRIPTION | MATERIAL | FINISH/COLOR |
|------|-----|--------------------|----------|---------------|
| 5 | 1 | DISTANZIALE LED | - | - |
| 4 | 1 | PCB WITH COMPONENT | - | SEE PART LIST |
| 3 | 1 | CORPO STAMPATO | - | BLACK |
| 2 | - | EPOXY ER2188K5K | - | BLACK |
| 1 | - | EPOXY ER2188B | - | BLACK |

THIS DRAWING CONTAINS INFORMATION THAT IS PROPRIETARY TO MOLEX ELECTRONIC TECHNOLOGIES, LLC AND SHOULD NOT BE USED WITHOUT WRITTEN PERMISSION

| | | | | |
|---|----------------------------|--|-------------------------|----------------------------------|
| DIMENSION UNITS mm | SCALE 1:1 | CURRENT REV DESC: REMOVED OBSOLETE PART NUMBER AS PER PCN#511691. | | |
| GENERAL TOLERANCES (UNLESS SPECIFIED) | | <p>LIGHTS ADAPTORS SERIES A06XXX FOR DIN A</p> <p>PRODUCT CUSTOMER DRAWING</p> | | |
| ANGULAR TOL | ± ° | | | |
| 4 PLACES | ± | | | |
| 3 PLACES | ± | | | |
| 2 PLACES | ± | | | |
| 1 PLACE | ± | EC NO: 737858 | 2023/02/10 | |
| 0 PLACES | ± | DRWN: SANTHN | 2023/02/24 | |
| | | CHK'D: GGA | 2023/02/24 | |
| | | APPR: GGA | 2023/02/24 | |
| | | INITIAL REVISION: | | DOCUMENT NUMBER |
| | | DRWN: JMARSZALEK | 2013/02/11 | SD-121001-006 |
| | | APPR: MIWASIECZKO | 2013/02/12 | PSD 001 A2 |
| DRAFT WHERE APPLICABLE MUST REMAIN WITHIN DIMENSIONS | THIRD ANGLE PROJECTION | DRAWING A4-SIZE | SERIES 121001 | MATERIAL NUMBER SEE PART LIST |
| | | CUSTOMER GENERAL MARKET | | DOC TYPE PSD |
| | | | | DOC PART 001 |
| | | | | REVISION A2 |
| | | | | SHEET NUMBER 2 OF 2 |

| | | | | |
|-----------------|----|--------------|------------|----------|
| DOCUMENT STATUS | P1 | RELEASE DATE | 2023/02/24 | 09:13:39 |
|-----------------|----|--------------|------------|----------|