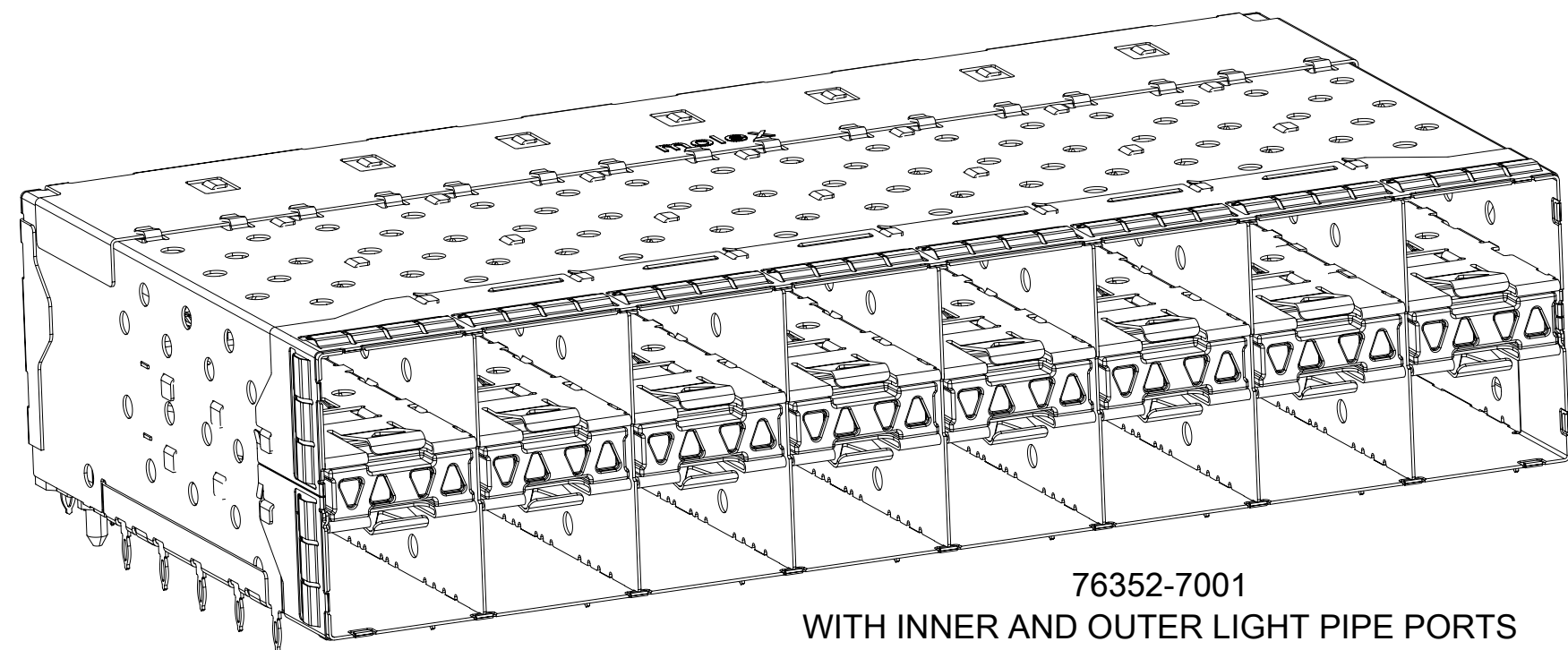


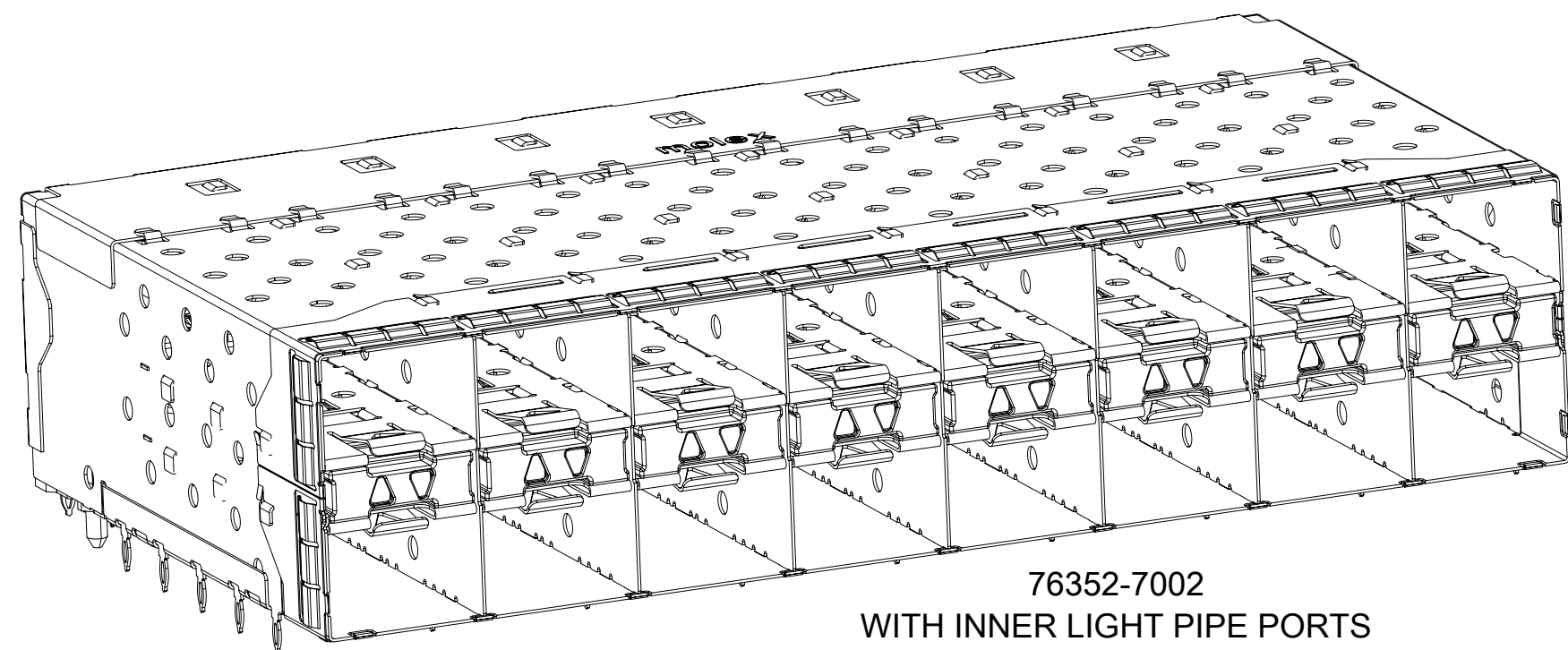
- NOTES:
- MATERIAL:
CAGE: NICKEL SILVER, THICKNESS: 0.25mm
CONNECTOR HOUSING: GLASS FILLED, LIQUID CRYSTAL POLYMER (LCP), UL 94V-0
COLOR: BLACK
OVERMOLDED TERMINAL HOUSING: GLASS FILLED, LIQUID CRYSTAL POLYMER (LCP), UL 94V-0, COLOR: BLACK
TERMINALS: TIN BRASS
LIGHT PIPES: POLYCARBONATE, UL 94V-0, COLOR: CLEAR
LIGHT PIPE HOUSING: ZINC
 - FINISH:
LIGHT PIPE HOUSING: 150 MICROMETERS MINIMUM NICKEL OVER 150 MICROMETERS MINIMUM COPPER
TERMINALS: CONTACT AREA: 0.76 MICROMETERS MINIMUM HARD GOLD OVER 1.27 MICROMETERS MINIMUM NICKEL.
COMPLIANT TAIL - 0.76 - 1.52 MICROMETERS MATTE TIN OVER 0.76 - 1.52 MICROMETERS NICKEL
 - REFER TO PS-75310-001 PRODUCT SPEC FOR ALL ELECTRICAL, MECHANICAL AND ENVIRONMENTAL SPECIFICATIONS.
 - LIGHT PIPE PAD LAYOUT IS FOR 0805 LOW-PROFILE LED PACKAGE, FOR OTHER RECOMMENDED LAYOUTS REFER TO MOLEX'S REPORT TS-75310-001.
 - REFER TO PK-76352-001 FOR ALL PACKAGING SPECIFICATIONS.
 - ALL EXTERIOR SURFACES TO BE CLASS "B" SURFACE EXCEPT THE UNDER SIDE OF THE CAGE WHERE THE PCB WOULD BE LOCATED AND AS NOTED. THE SURFACES TO CONFORM TO THE MOLEX COSMETIC DOC PS-45499-002.
 - THE OVERALL CAGE WIDTH AT THE VERTICAL CENTER OF THE FRONT EDGE WILL FALL WITHIN THIS DIMENSION: 114.80+/-0.30 MM. THIS PORTION OF THE CAGE WILL FLEX INWARD AS THE CAGE IS BEING INSERTED INTO THE BEZEL OPENING.
 - REFER TO AS-76090-001 FOR HIGH SPEED ROUTING RECOMMENDATIONS.
 - DATE CODE LOCATION IS SHOWN ABOVE.
DATE CODE FORMAT: DDDY MX A1
DDD = DAY OF THE YEAR
Y = YEAR
MX = MOLEX
A = ALPHA CHARACTER - INDICATES MANUFACTURING LINE
1 = NUMERIC CHARACTER - INDICATES PRODUCTION SHIFT

PART NUMBER	LIGHTPIPE CONFIGURATION (SEE VIEWS ON SHEET 2)
763527001	4 LIGHT PORTS
763527002	INNER 2 PORTS
763527003	OUTER 2 PORTS

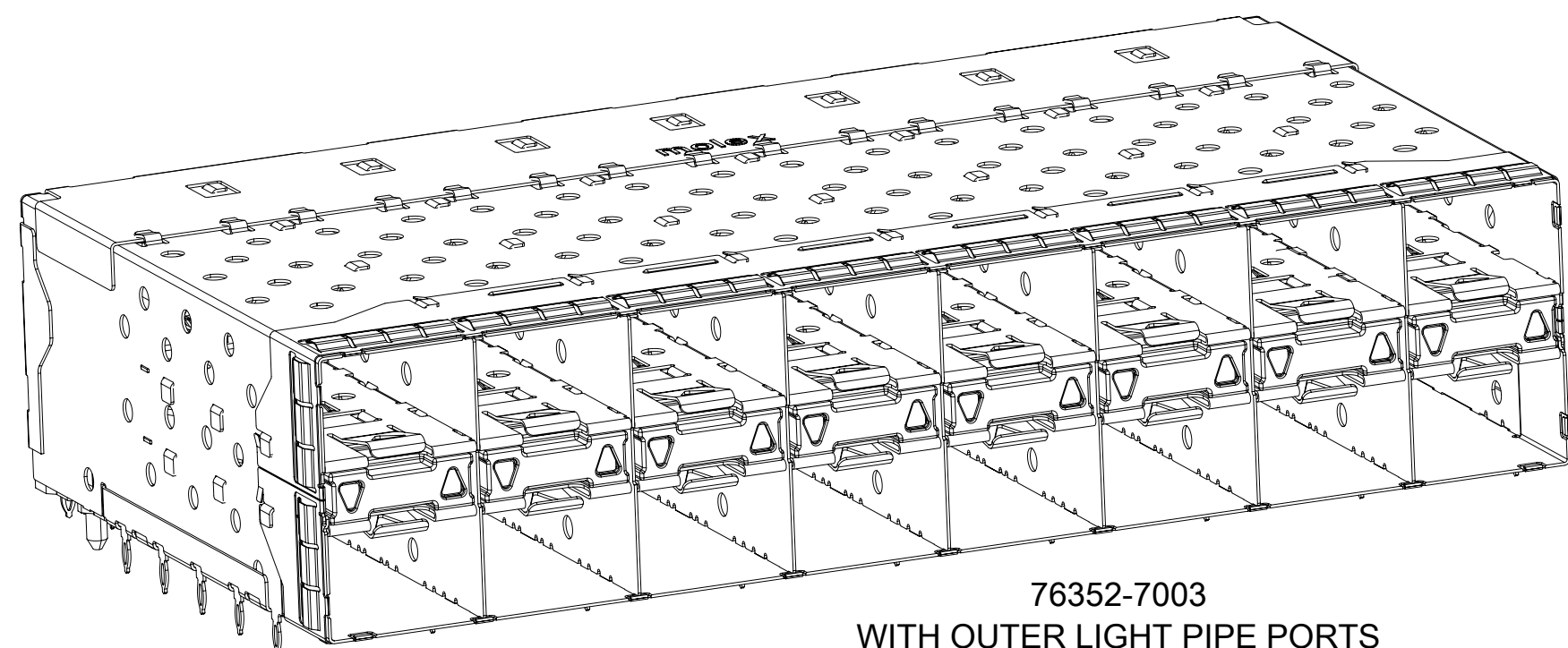
THIS DRAWING CONTAINS INFORMATION THAT IS PROPRIETARY TO MOLEX ELECTRONIC TECHNOLOGIES, LLC AND SHOULD NOT BE USED WITHOUT WRITTEN PERMISSION											
SYMBOLS		DIMENSION UNITS		SCALE		CURRENT REV DESC: UPDATE TO NEW PINS					
▽ = 0		mm		2:1							
▽ = 0		GENERAL TOLERANCES (UNLESS SPECIFIED)				EC NO: 600289				STACKED SFP+ 2X8 ASS'Y WITH METAL EMI GASKET LIGHTPIPES-IMPROVED EMI	
▽ = 0		ANGULAR TOL ± 5.0°				DRWN: SVANG01 2018/06/01					
▽ = 0		4 PLACES ±				CHK'D: RWHIPPLE 2018/06/01					
▽ = 0		3 PLACES ±				APPR: CHIRSCHY 2018/06/01				PRODUCT CUSTOMER DRAWING	
▽ = 0		2 PLACES ± 0.13				INITIAL REVISION:					
▽ = 0		1 PLACE ± 0.25				DRWN: MSIBARRA 2010/09/03				DOCUMENT NUMBER SD-76352-0002	
▽ = 0		0 PLACES ±				APPR: SMILLER 2011/08/04					
▽ = 0		DRAFT WHERE APPLICABLE MUST REMAIN WITHIN DIMENSIONS		THIRD ANGLE PROJECTION		DRAWING		SERIES		MATERIAL NUMBER CUSTOMER SHEET NUMBER	
▽ = 0						C-SIZE		76352		GENERAL MARKET 1 OF 5	



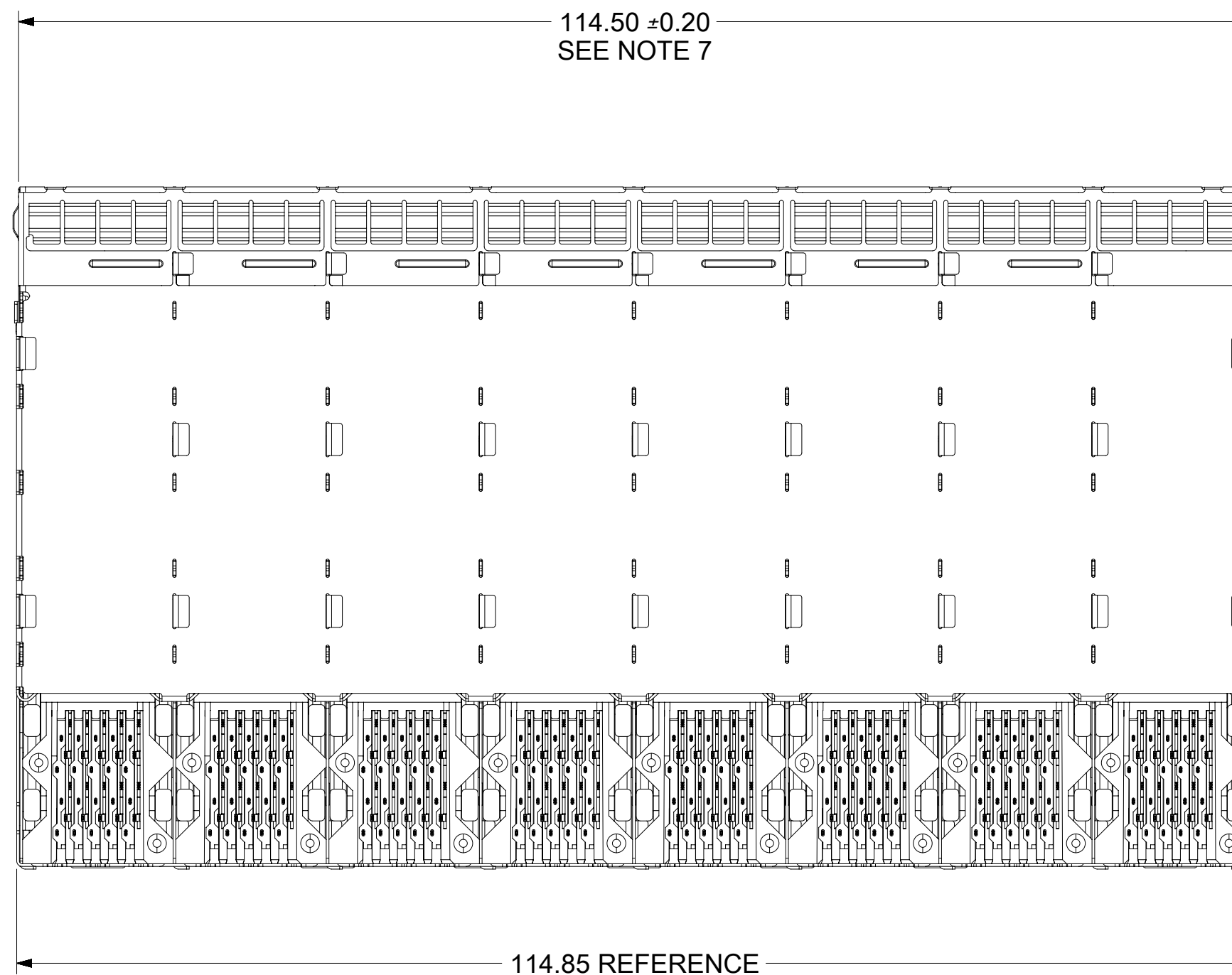
76352-7001
WITH INNER AND OUTER LIGHT PIPE PORTS



76352-7002
WITH INNER LIGHT PIPE PORTS

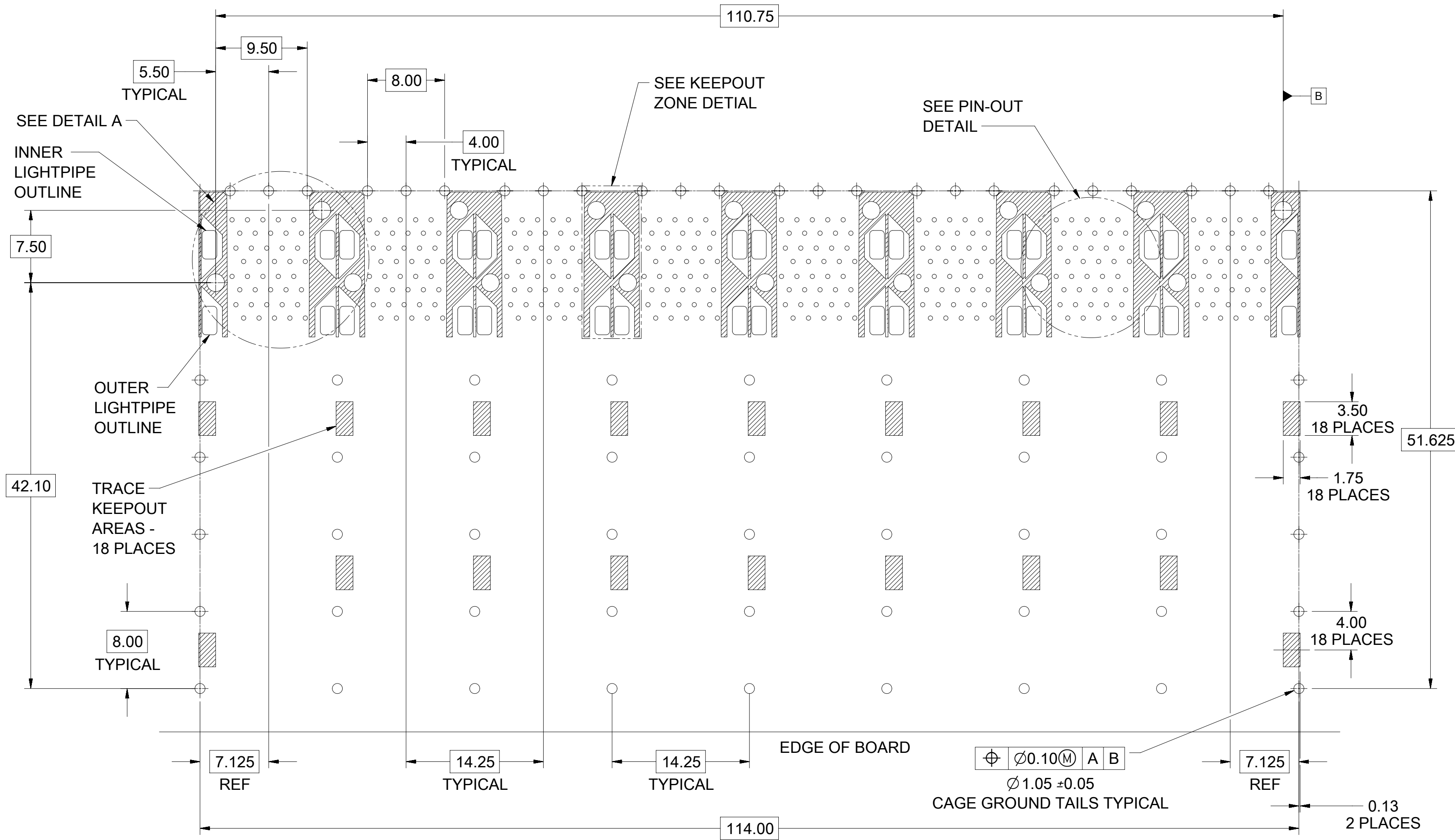


76352-7003
WITH OUTER LIGHT PIPE PORTS

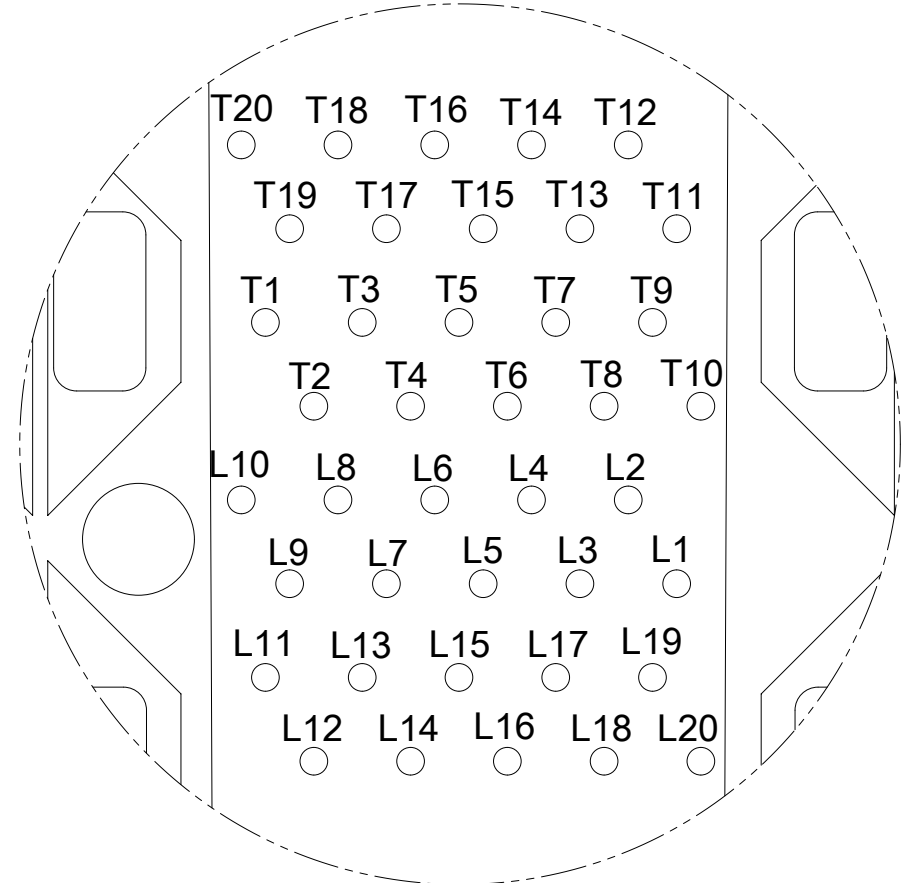


THIS DRAWING CONTAINS INFORMATION THAT IS PROPRIETARY TO MOLEX ELECTRONIC TECHNOLOGIES, LLC AND SHOULD NOT BE USED WITHOUT WRITTEN PERMISSION											
SYMBOLS		DIMENSION UNITS		SCALE		CURRENT REV DESC: UPDATE TO NEW PINS					
▽ = 0 ▽ = 0 ▽ = 0 ▽ = 0 ▽ = 0 ▽ = 0 ▽ = 0 ▽ = 0 ▽ = 0 ▽ = 0 ▽ = 0		mm		2:1							
		GENERAL TOLERANCES (UNLESS SPECIFIED)				EC NO: 600289				STACKED SFP+ 2X8 ASS'Y WITH METAL EMI GASKET LIGHTPIPES-IMPROVED EMI	
		ANGULAR TOL ± 5.0°				DRWN: SVANG01 2018/06/01					
		4 PLACES ±				CHK'D: RWHIPPLE 2018/06/01				PRODUCT CUSTOMER DRAWING	
		3 PLACES ±				APPR: CHIRSCHY 2018/06/01					
		2 PLACES ± 0.13				INITIAL REVISION:				DOCUMENT NUMBER SD-76352-0002	
		1 PLACE ± 0.25				DRWN: MSIBARRA 2010/09/03					
		0 PLACES ±				APPR: SMILLER 2011/08/04				DOC TYPE DOC PART REVISION PSD 001 F	
		DRAFT WHERE APPLICABLE MUST REMAIN WITHIN DIMENSIONS		THIRD ANGLE PROJECTION		DRAWING		SERIES		MATERIAL NUMBER CUSTOMER SHEET NUMBER	
						C-SIZE		76352		GENERAL MARKET 2 OF 5	

DOCUMENT STATUS	P1	RELEASE DATE	2018/06/01	22:27:30
-----------------	----	--------------	------------	----------

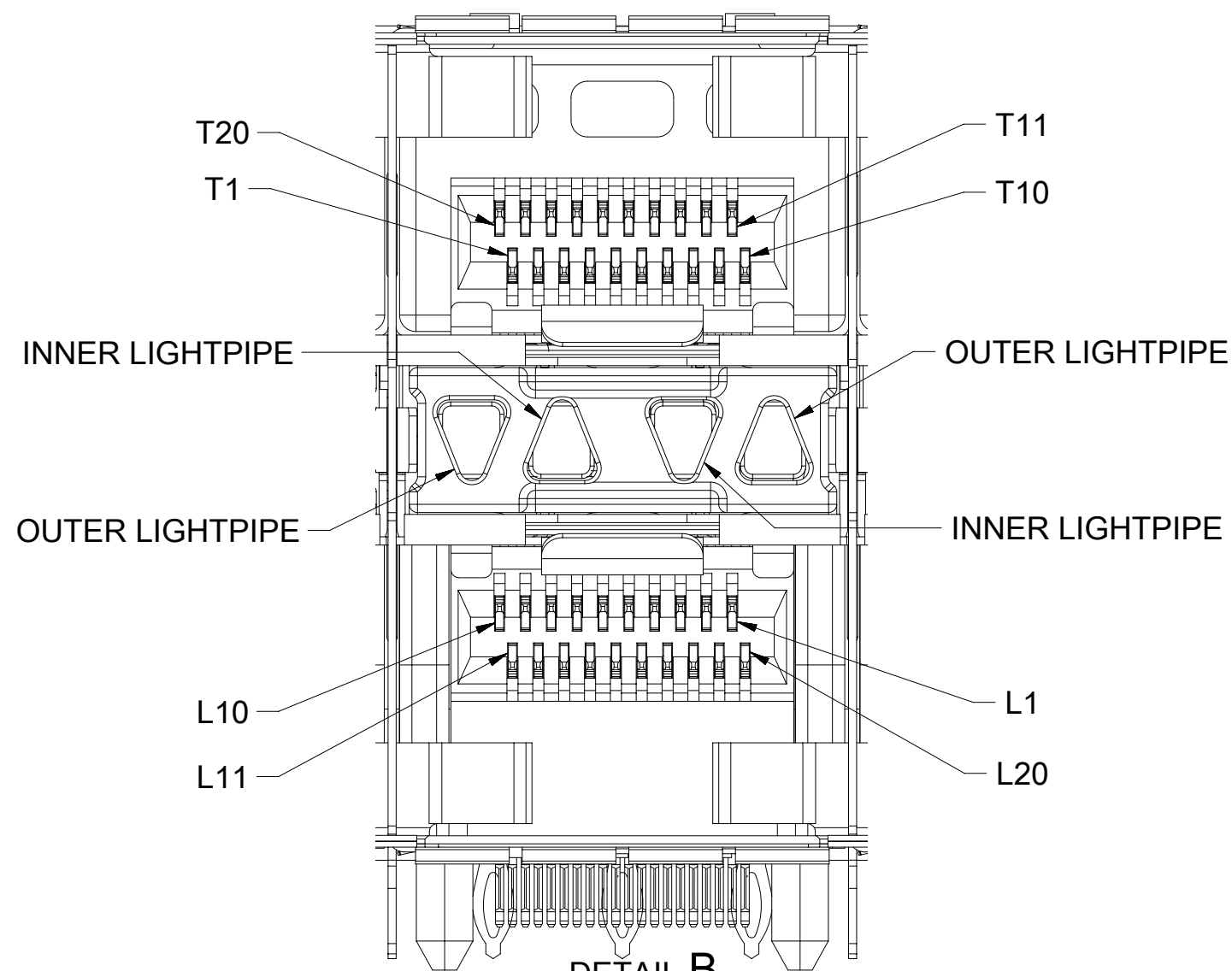


RECOMMENDED PCB LAYOUT - COMPONENTS SIDE
 RECOMMENDED PCB THICKNESS - 2.63mm (.093 INCH)
 THE ENTIRE AREA OF THE CONNECTOR FOOTPRINT
 TO BE CONSIDERED THE KEEP OUT AREA FOR COMPONENTS
 (OTHER THAN LIGHT PIPE LED'S)
 THIS AREA IS INDICATED BY THE DASHED LINE

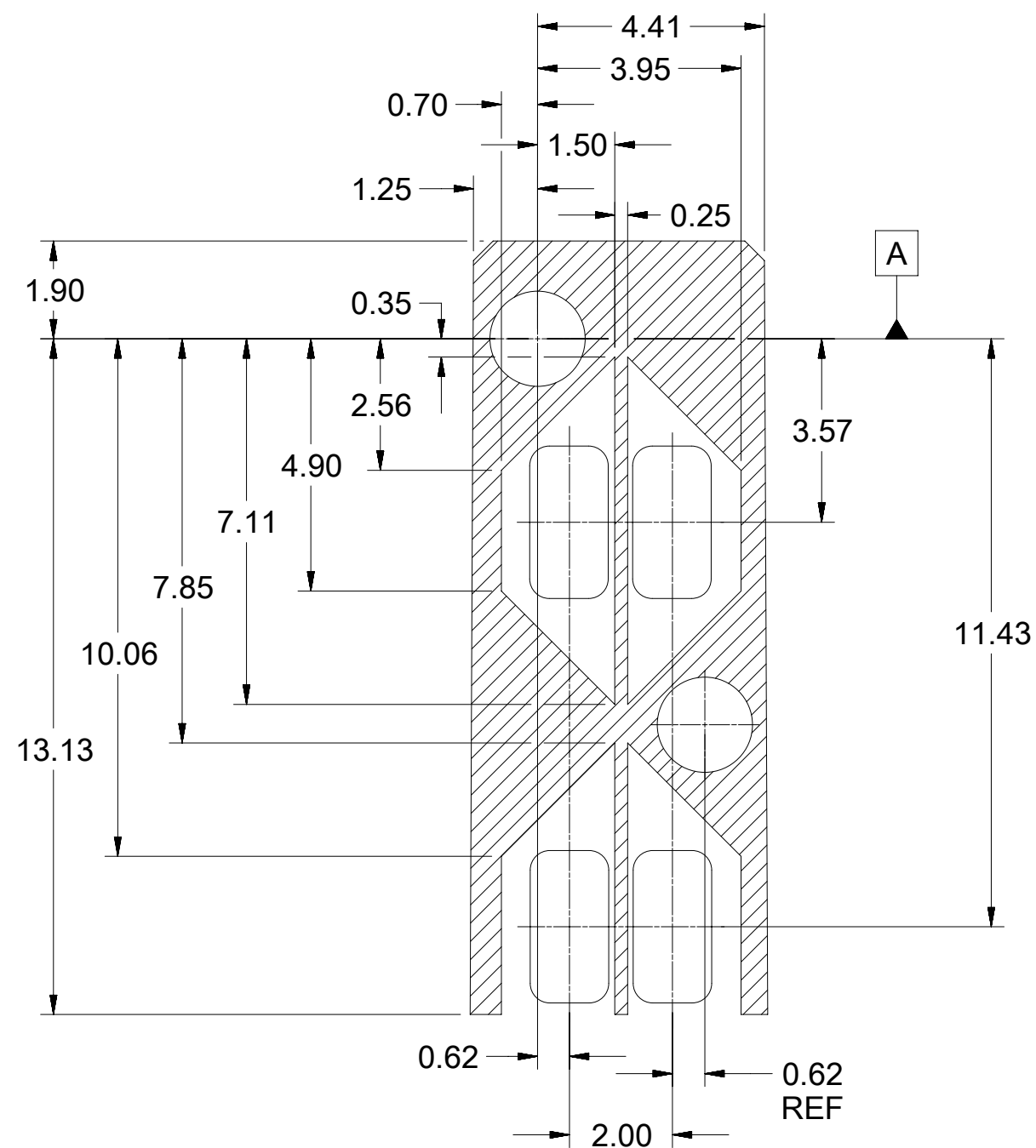


CONNECTOR PIN-OUT
 COMPONENT SIDE OF BOARD

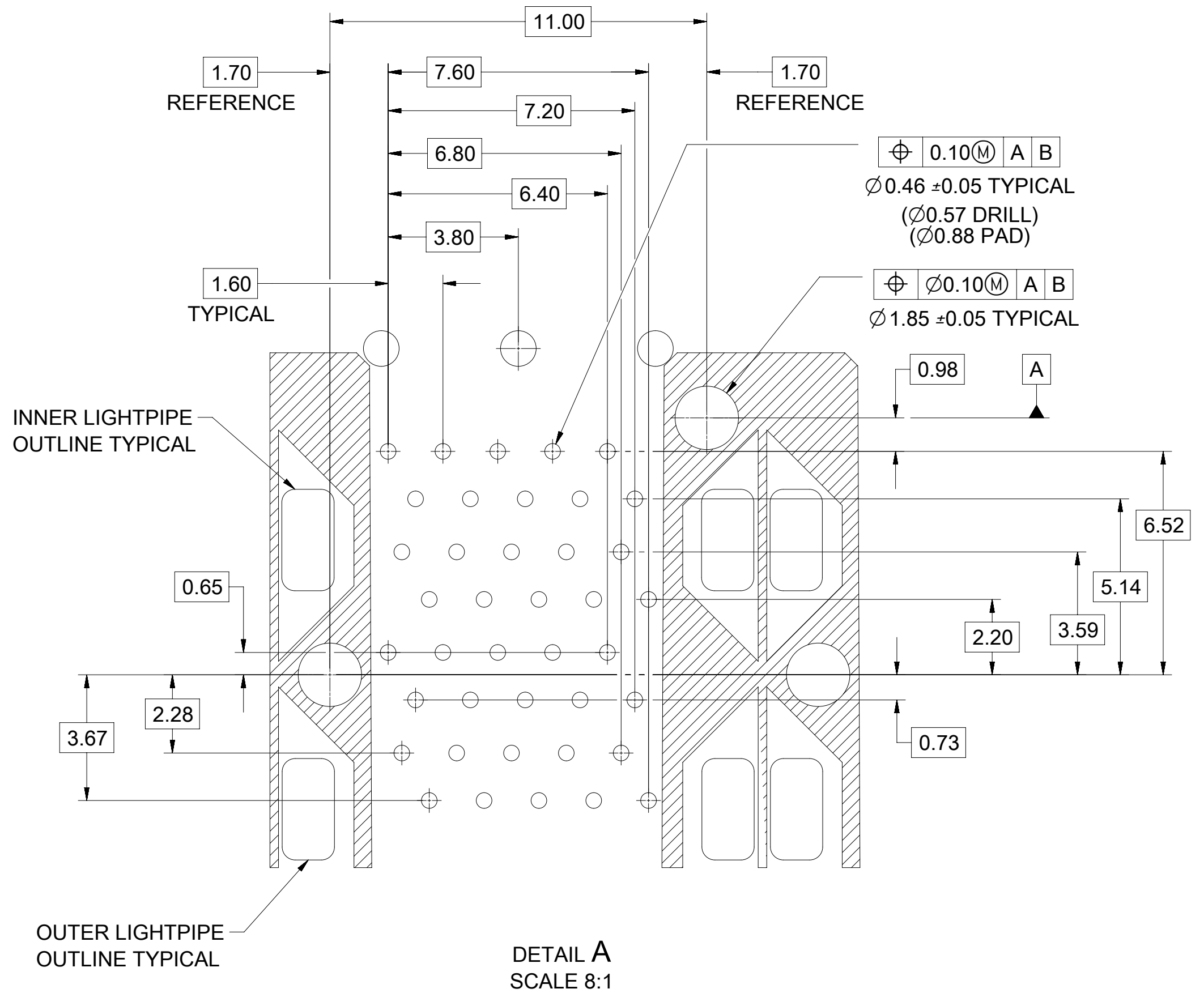
SYMBOLS		THIS DRAWING CONTAINS INFORMATION THAT IS PROPRIETARY TO MOLEX ELECTRONIC TECHNOLOGIES, LLC AND SHOULD NOT BE USED WITHOUT WRITTEN PERMISSION	
DIMENSION UNITS	SCALE	CURRENT REV DESC: UPDATE TO NEW PINS	
$\nabla = 0$	mm	3:1	molex STACKED SFP+ 2X8 ASS'Y WITH METAL EMI GASKET LIGHTPIPES-IMPROVED EMI
$\nabla = 0$	GENERAL TOLERANCES (UNLESS SPECIFIED)		
$\nabla = 0$	ANGULAR TOL $\pm 5.0^\circ$		EC NO: 600289 DRWN: SVANG01 2018/06/01 CHK'D: RWHIPPLE 2018/06/01 APPR: CHIRSCHY 2018/06/01
$\nabla = 0$	4 PLACES \pm		
$\nabla = 0$	3 PLACES \pm		PRODUCT CUSTOMER DRAWING DOCUMENT NUMBER: SD-76352-0002 DOC TYPE: PSD DOC PART: 001 REVISION: F
$\nabla = 0$	2 PLACES ± 0.13		
$\nabla = 0$	1 PLACE ± 0.25		INITIAL REVISION: DRWN: MSIBARRA 2010/09/03 APPR: SMILLER 2011/08/04
$\nabla = 0$	0 PLACES \pm		
$\nabla = 0$	DRAFT WHERE APPLICABLE MUST REMAIN WITHIN DIMENSIONS		THIRD ANGLE PROJECTION DRAWING: C-SIZE SERIES: 76352
$\nabla = 0$			MATERIAL NUMBER: GENERAL MARKET CUSTOMER: GENERAL MARKET SHEET NUMBER: 3 OF 5



DETAIL B
SCALE 5:1
CIRCUIT NUMBERING
AND LIGHTPIPE
IDENTIFICATION

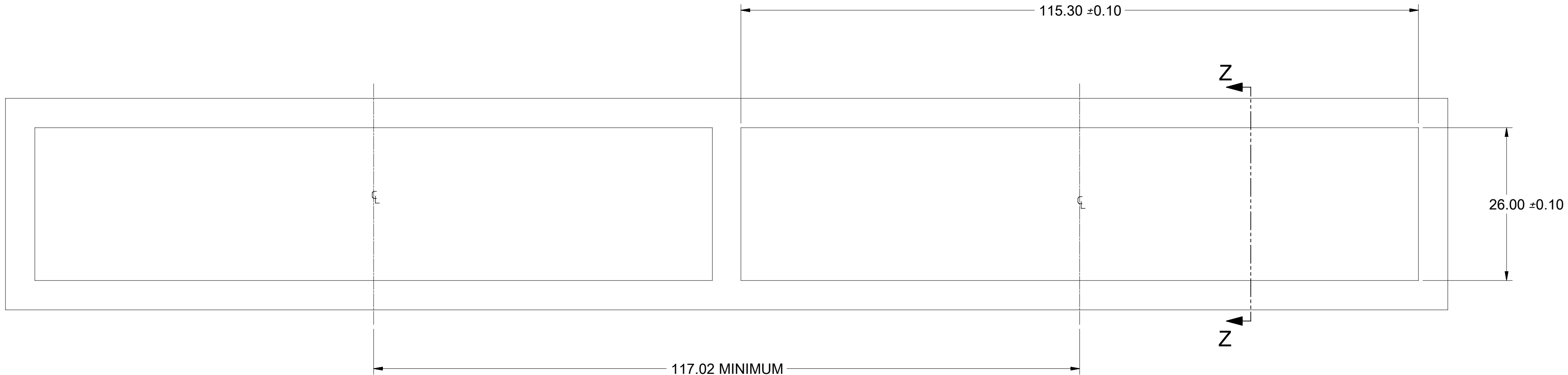


DETAIL - LIGHT PIPE AND OTHER ZONES
THE HATCHED AREA IN THIS VIEW INDICATES ZONES THAT ARE OCCUPIED BY THE PLASTIC HOUSING THAT SEATS AGAINST THE PCB AND BY THE VERTICAL METAL CAGE WALL THAT STOPS JUST SHORT OF THE PCB

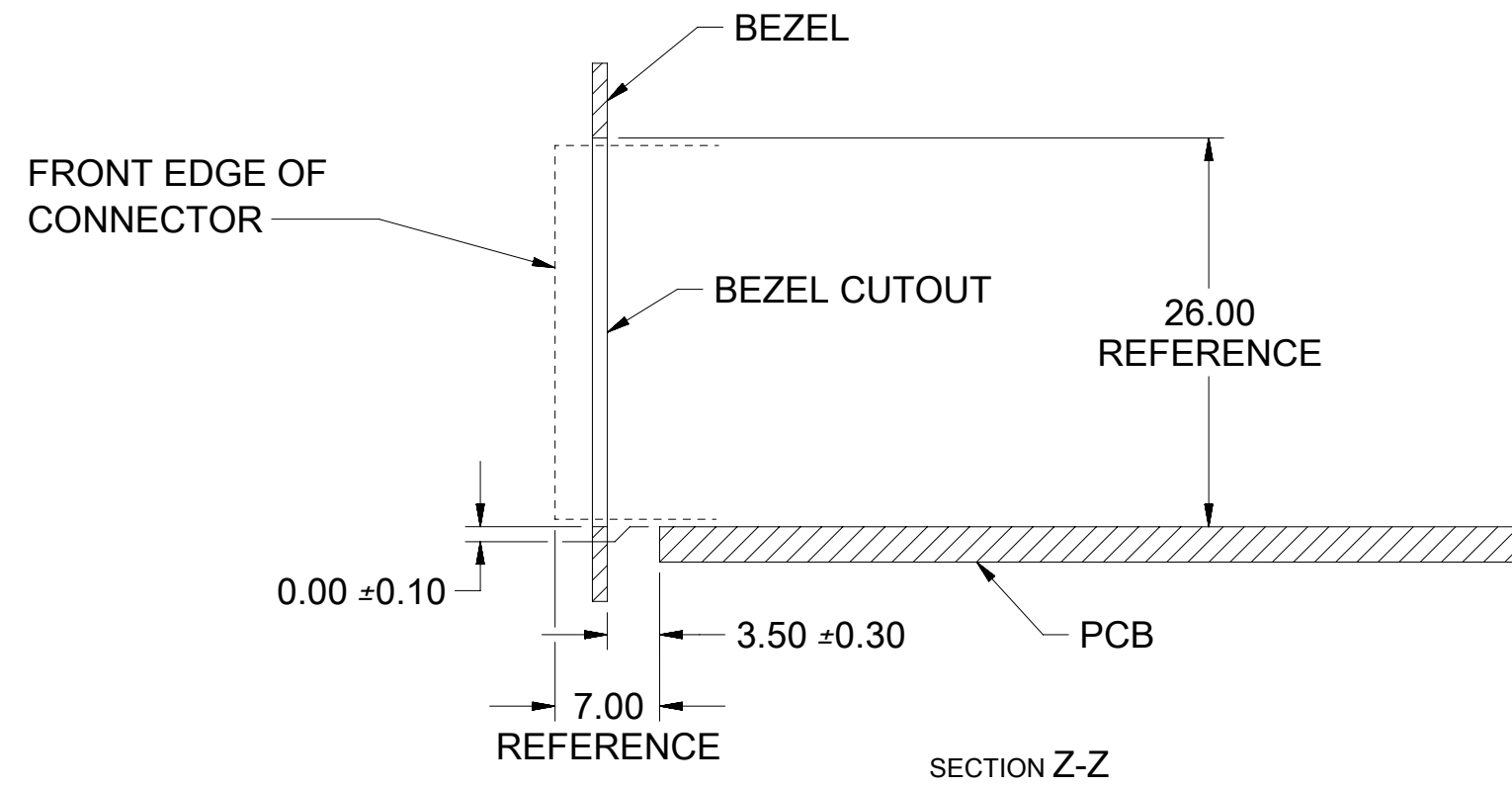


DETAIL A
SCALE 8:1

THIS DRAWING CONTAINS INFORMATION THAT IS PROPRIETARY TO MOLEX ELECTRONIC TECHNOLOGIES, LLC AND SHOULD NOT BE USED WITHOUT WRITTEN PERMISSION										
SYMBOLS		DIMENSION UNITS		SCALE		CURRENT REV DESC: UPDATE TO NEW PINS				
▽ = 0	mm	1:1		molex STACKED SFP+ 2X8 ASS'Y WITH METAL EMI GASKET LIGHTPIPES-IMPROVED EMI PRODUCT CUSTOMER DRAWING DOCUMENT NUMBER: SD-76352-0002 DOC TYPE: PSD DOC PART: 001 REVISION: F MATERIAL NUMBER: GENERAL MARKET CUSTOMER: GENERAL MARKET SHEET NUMBER: 4 OF 5						
▽ = 0	GENERAL TOLERANCES (UNLESS SPECIFIED)		EC NO: 600289							
▽ = 0	ANGULAR TOL ± 5.0°		DRWN: SVANG01 2018/06/01							
▽ = 0	4 PLACES ±		CHK'D: RWHIPPLE 2018/06/01							
▽ = 0	3 PLACES ±		APPR: CHIRSCHY 2018/06/01							
▽ = 0	2 PLACES ± 0.13		INITIAL REVISION:							
▽ = 0	1 PLACE ± 0.25		DRWN: MSIBARRA 2010/09/03							
▽ = 0	0 PLACES ±		APPR: SMILLER 2011/08/04							
▽ = 0	DRAFT WHERE APPLICABLE MUST REMAIN WITHIN DIMENSIONS		THIRD ANGLE PROJECTION		DRAWING: C-SIZE		SERIES: 76352			



117.02 MINIMUM
 BEZEL CUT-OUT DETAIL
 RECOMMENDED BEZEL THICKNESS: 0.8mm - 2.6mm



SYMBOLS										THIS DRAWING CONTAINS INFORMATION THAT IS PROPRIETARY TO MOLEX ELECTRONIC TECHNOLOGIES, LLC AND SHOULD NOT BE USED WITHOUT WRITTEN PERMISSION																													
DIMENSION UNITS					SCALE					CURRENT REV DESC: UPDATE TO NEW PINS																													
mm					1:1					molex STACKED SFP+ 2X8 ASS'Y WITH METAL EMI GASKET LIGHTPIPES-IMPROVED EMI PRODUCT CUSTOMER DRAWING																													
GENERAL TOLERANCES (UNLESS SPECIFIED)																				EC NO: 600289					2018/06/01														
ANGULAR TOL ± 5.0°																				DRWN: SVANG01					2018/06/01														
4 PLACES ±																				CHK'D: RWHIPPLE					2018/06/01														
3 PLACES ±										APPR: CHIRSCHY					2018/06/01					DOCUMENT NUMBER																			
2 PLACES ± 0.13										INITIAL REVISION:										SD-76352-0002					DOC TYPE					DOC PART					REVISION				
1 PLACE ± 0.25										DRWN: MSIBARRA					2010/09/03					PSD					001					F									
0 PLACES ±										APPR: SMILLER					2011/08/04					MATERIAL NUMBER					CUSTOMER					SHEET NUMBER									
DRAFT WHERE APPLICABLE MUST REMAIN WITHIN DIMENSIONS										THIRD ANGLE PROJECTION					DRAWING					SERIES					GENERAL MARKET					5 OF 5									
															C-SIZE					76352																			