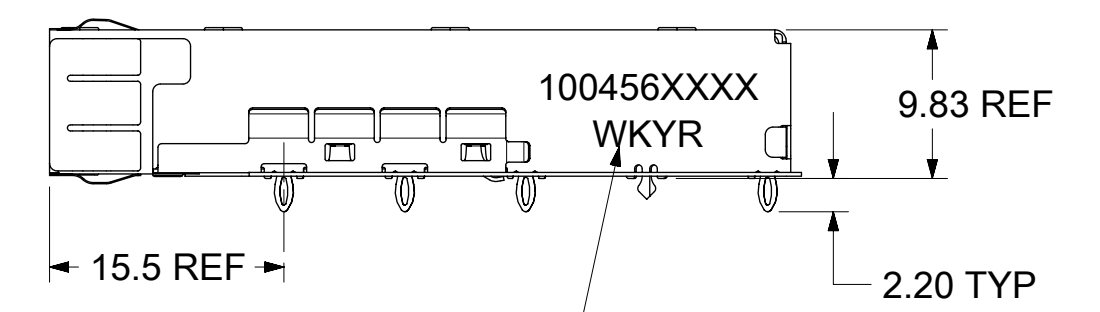
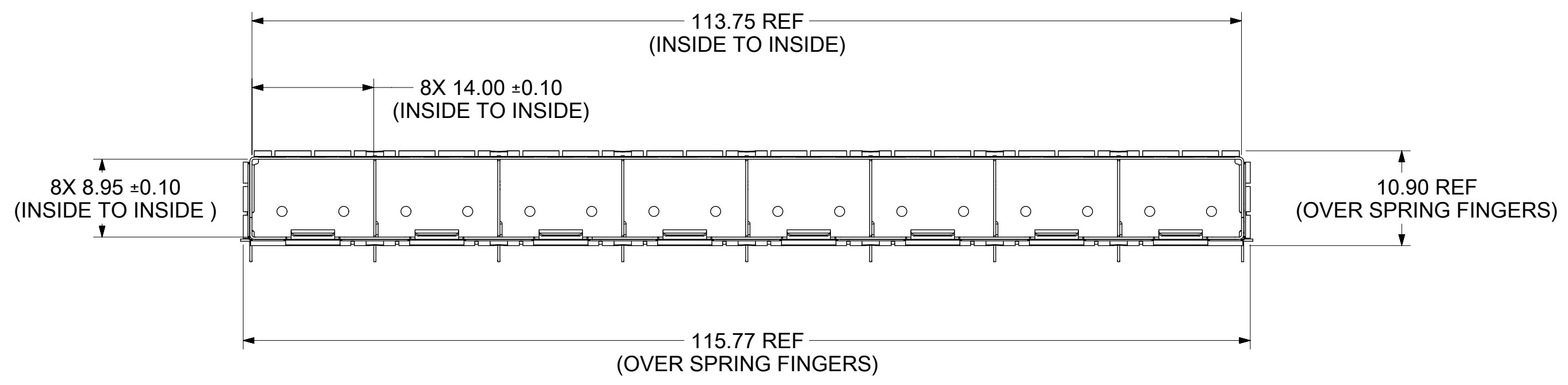
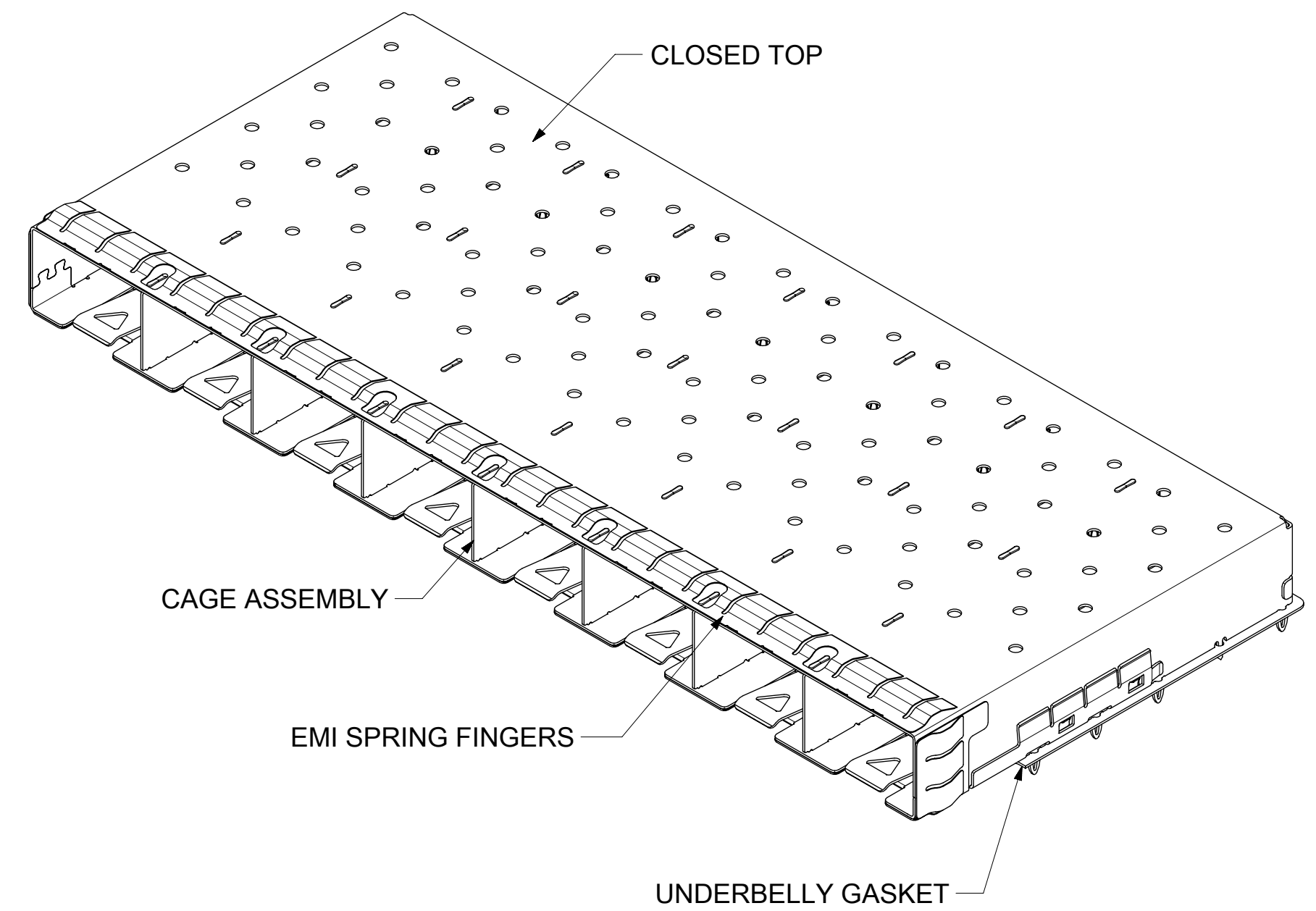
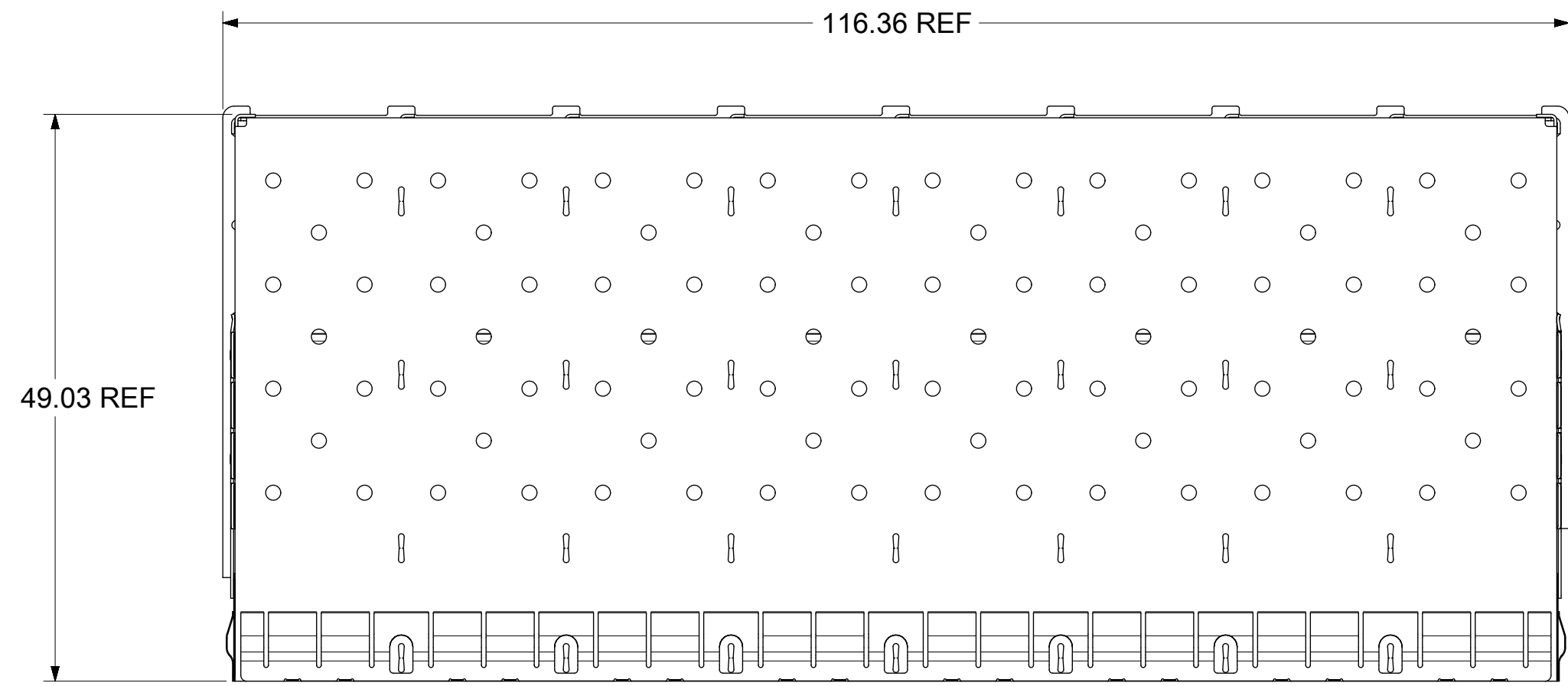


THIS CAGE HAS A CUSTOM LEG CONFIGURATION FOR BELLY TO BELLY MOUNTING OPPOSITE A 2X8 GANGED CAGE



PART NO. AND WEEK/YEAR DATE CODE TO BE PRINTED ON SIDE OF COMPLETED CAGE ASSEMBLY APPROXIMATELY AS SHOWN. SEE TABLE BELOW FOR DATE CODE INFORMATION.

- NOTES:
- MATERIAL:
CAGE: 0.25mm THICK COPPER ALLOY, NICKEL PLATED.
SPRING FINGERS: STAINLESS STEEL.
UNDER BELLY GASKET: EMI GASKET
 - PRESS FIT LEGS 2.20mm LONG
 - WELD SPOT MAY SHOW SLIGHT MATERIAL DISCOLORATION.
 - NO RoHS EXEMPTIONS.
 - PORTS ARE DESIGNED FOR SFP+ TRANSCEIVERS AND ARE COMPATIBLE WITH SFP TRANSCEIVERS.

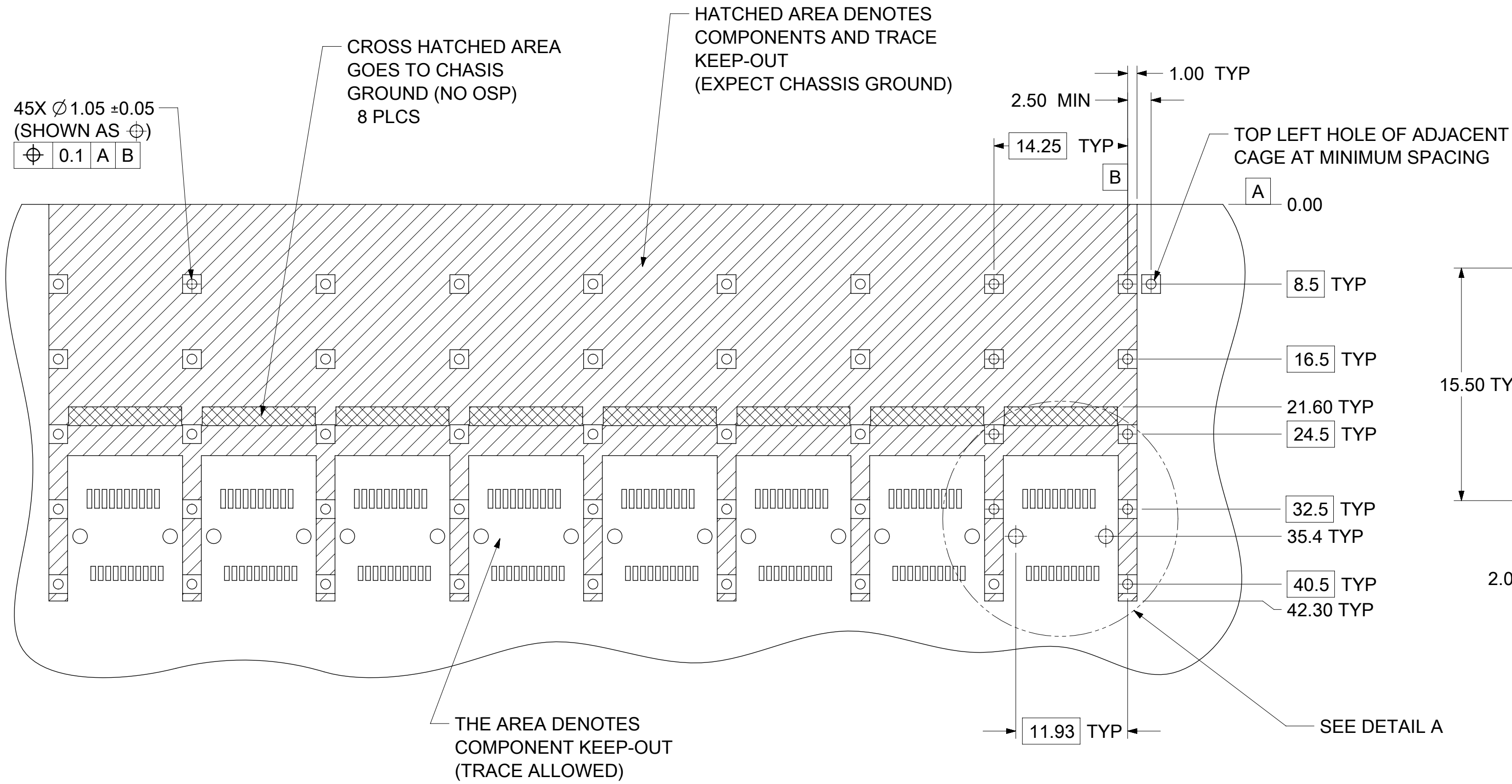
WEEK/YEAR DATE CODE TABLE	
WK	01 THRU 52 OR 53 EXAMPLE: 01 = FIRST WEEK OF YEAR 52 = LAST WEEK OF YEAR
YR	22, 23, 24 ETC. EXAMPLE: YEAR 2022 = 22

FUNCTIONAL SYMBOLS $\nabla_A = 0$ $\nabla_C = 0$ $\nabla_P = 0$	THIS DRAWING CONTAINS INFORMATION THAT IS PROPRIETARY TO MOLEX ELECTRONIC TECHNOLOGIES, LLC AND SHOULD NOT BE USED WITHOUT WRITTEN PERMISSION	SCALE 2:1		CURRENT REV DESC: SEE REVISION TABLE								
	GENERAL TOLERANCES (UNLESS SPECIFIED)	mm		EC NO: 707058					ZSFP+ GEN 2 1X8 GANGED CAGE ASSEMBLY PRESS FIT TYPE W/ SUS SPRING FINGER, BELLY TO BELLY WITH 2X8			
	ANGULAR TOL	± 1.0°		4 PLACES ±		DRWN: ABHILT2 2022/04/11						
	DIVISIONAL SYMBOLS	3 PLACES ±		2 PLACES ± 0.13		CHK'D: TKUMARKC 2022/05/24		PRODUCT CUSTOMER DRAWING				
	1 PLACE ± 0.25		0 PLACES ±		APPR: SCHIEN 2022/05/27		INITIAL REVISION:		DOCUMENT NUMBER	DOC TYPE	DOC PART	REVISION
	DRAFT WHERE APPLICABLE MUST REMAIN WITHIN DIMENSIONS		THIRD ANGLE PROJECTION		DRAWING SERIES		MATERIAL NUMBER	CUSTOMER		SHEET NUMBER		
			C-SIZE		100456		1004568820			PSD	ASY	A
												1 OF 4

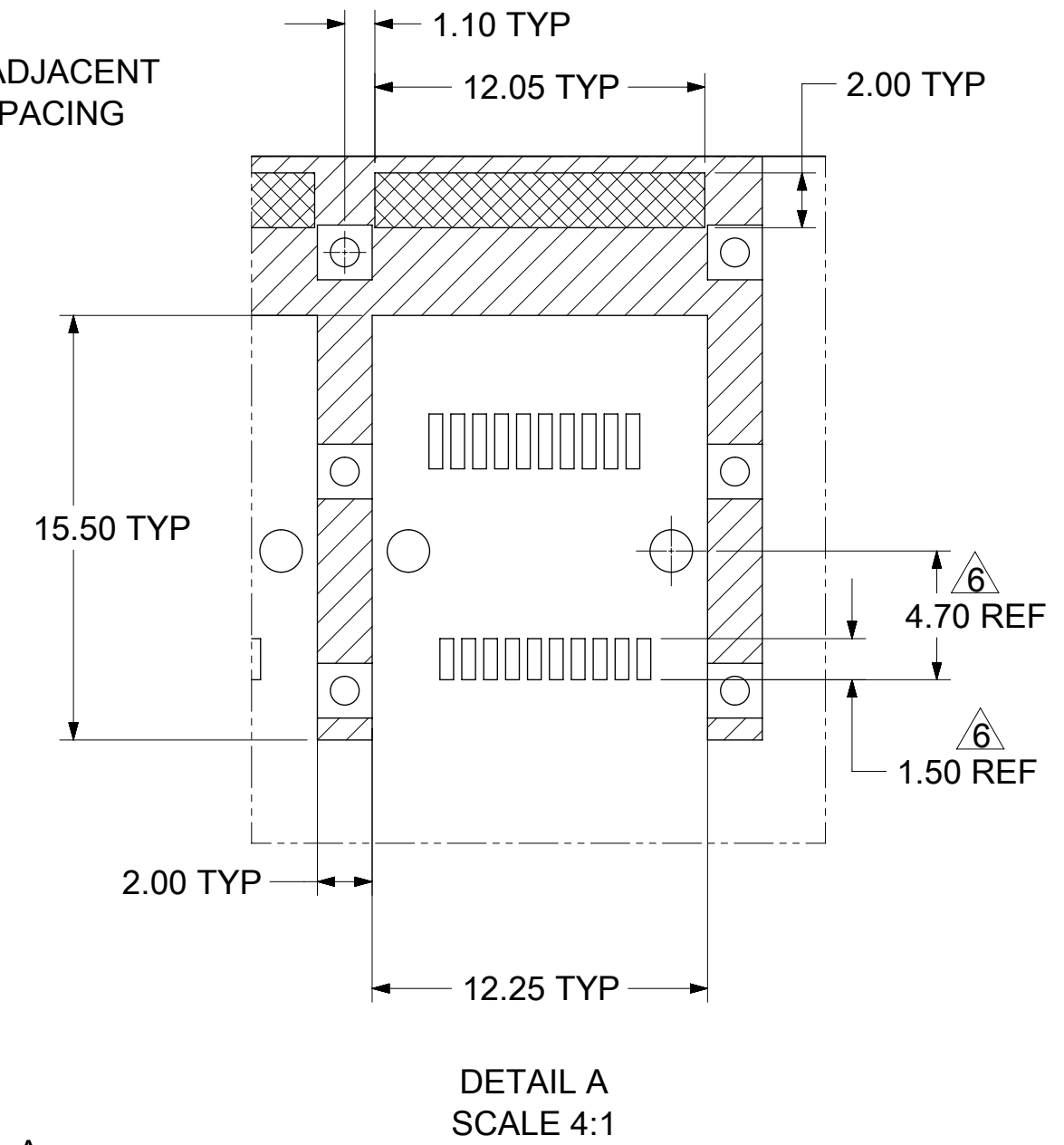
DOCUMENT STATUS	P1	RELEASE DATE	2022/05/27 09:56:11
-----------------	----	--------------	---------------------

PCB LAYOUT

THIS CAGE HAS A CUSTOM LEG CONFIGURATION FOR BELLY TO BELLY MOUNTING OPPOSITE A 2X8 GANGED CAGE



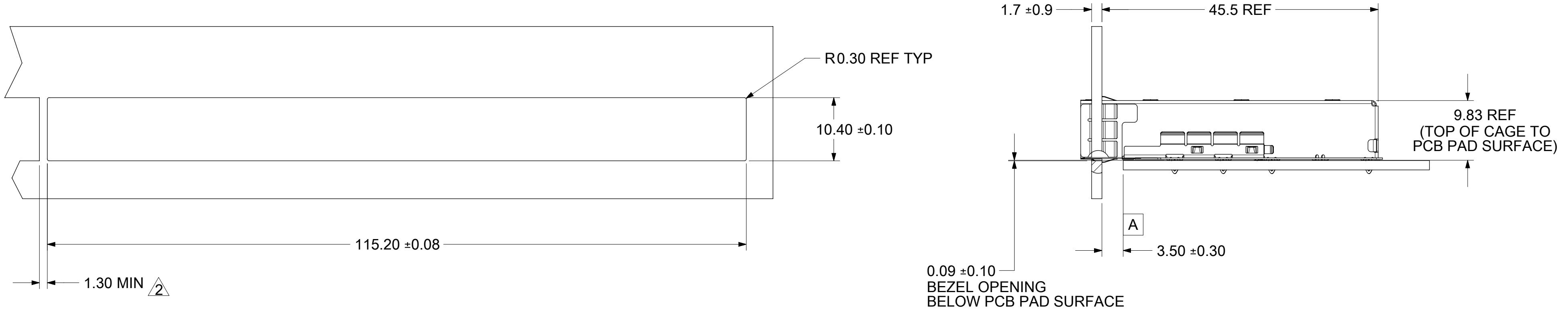
HOST CONNECTOR DETAIL



- NOTES:**
- PADS AND VIAS CONNECT TO CHASSIS GROUND (RECOMMEND PADS TO BE 2.00MM SQUARE)
 - RECOMMENDED THRU HOLE PLATING INCLUDES HASL, OSP, OR IMMERSION (GOLD, SILVER, OR TIN).
 - CONNECTOR PAD LAYOUT PER SFP+ MSA WILL ACCOMMODATE MOLEX CONNETOR SERIES 170382 OR EQUIVALENT.
 - HOLE PATTERN REPEATS FOR EACH PORT. SPACING BETWEEN PORTS IS 14.25MM.
 - RECOMMENDED BOARD THICKNESS:
 - 1.57MM MINIMUM PCB THICKNESS FOR SINGLE SIDED USE
 - 3.00MM MINIMUM PCB THICKNESS FOR BELLY TO BELLY USE
 - REAR ROW OF PADS HAVE BEEN SHORTENED IN ORDER TO WORK WITH LAYOUT OF THE 2X8 CAGE.

FUNCTIONAL SYMBOLS	THIS DRAWING CONTAINS INFORMATION THAT IS PROPRIETARY TO MOLEX ELECTRONIC TECHNOLOGIES, LLC AND SHOULD NOT BE USED WITHOUT WRITTEN PERMISSION		CURRENT REV DESC: SEE REVISION TABLE	
	DIMENSION UNITS	SCALE		
$\nabla_A = 0$	mm	2.5:1		
$\nabla_C = 0$	GENERAL TOLERANCES (UNLESS SPECIFIED)			
	ANGULAR TOL	± 1.0°		
DIVISIONAL SYMBOLS	4 PLACES	±	EC NO: 707058	
	3 PLACES	±	DRWN: ABHILT2	2022/04/11
	2 PLACES	± 0.13	CHK'D: TKUMARKC	2022/05/24
	1 PLACE	± 0.25	APPR: SCHIEN	2022/05/27
0 PLACES	±	INITIAL REVISION:		
DRAFT WHERE APPLICABLE MUST REMAIN WITHIN DIMENSIONS		THIRD ANGLE PROJECTION	DRAWING	SERIES
			C-SIZE	100456
DOCUMENT STATUS		RELEASE DATE	DOCUMENT NUMBER	DOC TYPE
P1		2022/05/27 09:56:11	1004568820	PSD
			CUSTOMER	DOC PART
				ASY
				REVISION
				A
			MATERIAL NUMBER	SHEET NUMBER
			1004568820	2 OF 4

BEZEL AND BOARD POSITION DIMENSIONS FOR SINGLE SIDE MOUNTING



NOTE:
 1. PCB THICKNESS VARIATION MUST BE CONSIDERED WHEN DETERMINING BEZEL OPENING SIZE AND LOCATION.
 2. THIS DIM IS FOR REF ONLY USER CAN MODIFY IT DEPENDS ON APPLICATION, HOLE OF ADJACENT CAGE ON PCB LAYOUT VARIES BASED ON MODIFICATION.
 3. CAGE STAND OFF TO PIERCE UNDERBELLY GASKET.

FUNCTIONAL SYMBOLS	THIS DRAWING CONTAINS INFORMATION THAT IS PROPRIETARY TO MOLEX ELECTRONIC TECHNOLOGIES, LLC AND SHOULD NOT BE USED WITHOUT WRITTEN PERMISSION										
DIMENSION UNITS	SCALE		CURRENT REV DESC: SEE REVISION TABLE								
mm	2:1										
GENERAL TOLERANCES (UNLESS SPECIFIED)	EC NO: 707058										
ANGULAR TOL ± 1.0°	DRWN: ABHILT2 2022/04/11										
4 PLACES ±	CHK'D: TKUMARKC 2022/05/24										
3 PLACES ±	APPR: SCHIEN 2022/05/27										
2 PLACES ± 0.13	INITIAL REVISION:										
1 PLACE ± 0.25	DRWN: ABHILT2 2022/04/11										
0 PLACES ±	APPR: SCHIEN 2022/05/27										
DIVISIONAL SYMBOLS	THIRD ANGLE PROJECTION	DRAWING	SERIES	MATERIAL NUMBER	CUSTOMER	DOCUMENT NUMBER	DOC TYPE	DOC PART	REVISION	SHEET NUMBER	
DRAFT WHERE APPLICABLE MUST REMAIN WITHIN DIMENSIONS	C-SIZE	100456	1004568820	1004568820		1004568820	PSD	ASY	A	3 OF 4	

12 11 10 9 8 7 6 5 4 3 2 1

H

REV	DATE	DESCRIPTION
A	2022/05/24	INITIAL RELEASE

G

F

E

D

C

B

A

FUNCTIONAL SYMBOLS = 0 = 0 = 0	THIS DRAWING CONTAINS INFORMATION THAT IS PROPRIETARY TO MOLEX ELECTRONIC TECHNOLOGIES, LLC AND SHOULD NOT BE USED WITHOUT WRITTEN PERMISSION												
	<table border="1"> <tr> <th>DIMENSION UNITS</th> <th>SCALE</th> </tr> <tr> <td>mm</td> <td>1:1</td> </tr> </table>	DIMENSION UNITS	SCALE	mm	1:1								
	DIMENSION UNITS	SCALE											
	mm	1:1											
GENERAL TOLERANCES (UNLESS SPECIFIED) ANGULAR TOL ± 1.0° 4 PLACES ± 3 PLACES ± 2 PLACES ± 0.13 1 PLACE ± 0.25 0 PLACES ±	CURRENT REV DESC: SEE REVISION TABLE EC NO: 707058 DRWN: ABHILT2 2022/04/11 CHK'D: TKUMARKC 2022/05/24 APPR: SCHIEN 2022/05/27												
DIVISIONAL SYMBOLS	INITIAL REVISION: DRWN: ABHILT2 2022/04/11 APPR: SCHIEN 2022/05/27												
DRAFT WHERE APPLICABLE MUST REMAIN WITHIN DIMENSIONS	<table border="1"> <tr> <td>THIRD ANGLE PROJECTION</td> <td>DRAWING</td> <td>SERIES</td> <td>MATERIAL NUMBER</td> <td>CUSTOMER</td> <td>SHEET NUMBER</td> </tr> <tr> <td></td> <td>C-SIZE</td> <td>100456</td> <td>1004568820</td> <td></td> <td>4 OF 4</td> </tr> </table>	THIRD ANGLE PROJECTION	DRAWING	SERIES	MATERIAL NUMBER	CUSTOMER	SHEET NUMBER		C-SIZE	100456	1004568820		4 OF 4
THIRD ANGLE PROJECTION	DRAWING	SERIES	MATERIAL NUMBER	CUSTOMER	SHEET NUMBER								
	C-SIZE	100456	1004568820		4 OF 4								
<table border="1"> <tr> <td colspan="2">molex</td> </tr> <tr> <td colspan="2">ZSFP+ GEN 2 1X8 GANGED CAGE ASSEMBLY PRESS FIT TYPE W/ SUS SPRING FINGER, BELLY TO BELLY WITH 2X8</td> </tr> <tr> <td colspan="2">PRODUCT CUSTOMER DRAWING</td> </tr> <tr> <td>DOCUMENT NUMBER</td> <td>DOC TYPE DOC PART REVISION</td> </tr> <tr> <td>1004568820</td> <td>PSD ASY A</td> </tr> </table>		molex		ZSFP+ GEN 2 1X8 GANGED CAGE ASSEMBLY PRESS FIT TYPE W/ SUS SPRING FINGER, BELLY TO BELLY WITH 2X8		PRODUCT CUSTOMER DRAWING		DOCUMENT NUMBER	DOC TYPE DOC PART REVISION	1004568820	PSD ASY A		
molex													
ZSFP+ GEN 2 1X8 GANGED CAGE ASSEMBLY PRESS FIT TYPE W/ SUS SPRING FINGER, BELLY TO BELLY WITH 2X8													
PRODUCT CUSTOMER DRAWING													
DOCUMENT NUMBER	DOC TYPE DOC PART REVISION												
1004568820	PSD ASY A												

12 11 10 9 8 7 6 5 4 3 2 1