

THIS DRAWING IS UNPUBLISHED.

RELEASED FOR PUBLICATION

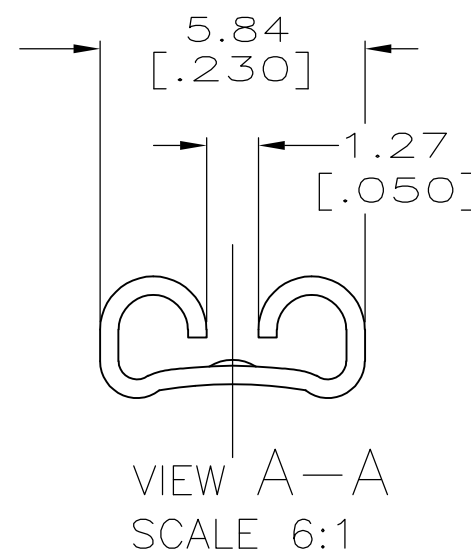
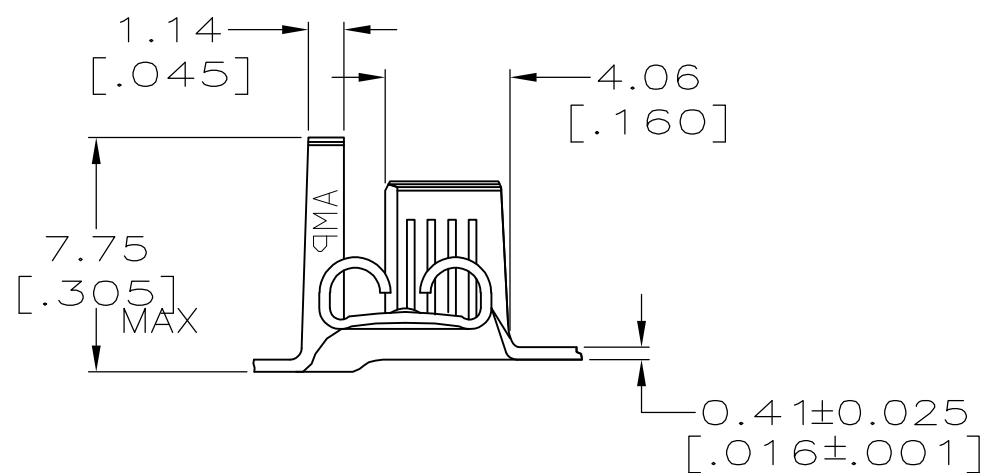
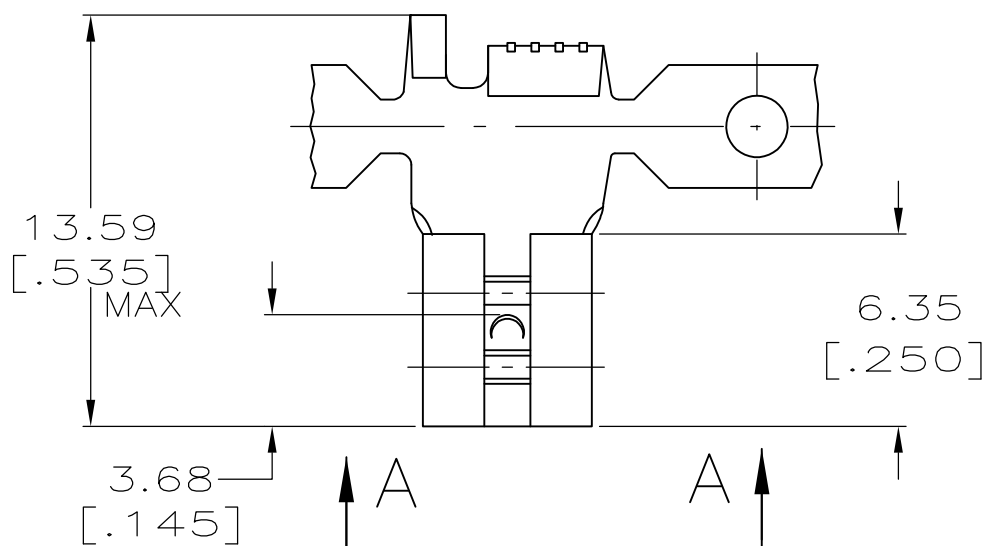
© COPYRIGHT - By -

ALL RIGHTS RESERVED.

LOC AF DIST 50


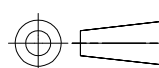
REVISIONS

P	LTR	DESCRIPTION	DATE	DWN	APVD
	K	REVISED PER ECR-12-013518	23NOV2012	KH	PD



- 1 CONTINUOUS STRIP ON REELS.
- 2 FEED IS 16.51±0.076 [.650±.005].
- 3 ACCEPTS WIRE SIZE [#18-#14] AWG.
- 4 INSULATION RANGE TO BE 1.90-3.94 [.075-.155] DIA.
- 5 MATING TAB THK TO BE 0.813±0.025 [.032±.001].

TIN	1217244-2
-	1217244-1
FINISH	PART NO.

THIS DRAWING IS A CONTROLLED DOCUMENT.		DWN JR RUTH 19OCT99	 TE Connectivity		
DIMENSIONS: mm [INCHES]		CHK MS FEHER 19OCT99			
TOLERANCES UNLESS OTHERWISE SPECIFIED: 0 PLC ± - 1 PLC ± - 2 PLC ± 0.25 [.010] 3 PLC ± - 4 PLC ± - ANGLES ± -		APVD S HEADER 19OCT99	RECEPTACLE, FASTON, FLAG, 4.75 [.187] SERIES		
		PRODUCT SPEC -	SIZE CAGE CODE DRAWING NO RESTRICTED TO		
MATERIAL BRASS		FINISH SEE TABLE	A3 00779 C-1217244		
		WEIGHT -	CUSTOMER DRAWING SCALE 4:1 SHEET 1 OF 1 REV K		