

936394-2 ✓ ACTIVE

AMP MCP 2.8, AMP MCP Connector System

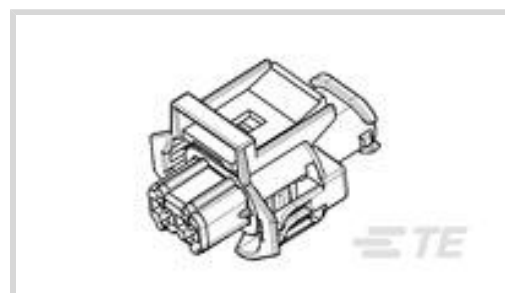
TE Internal #: 936394-2

Housing for Female Terminals, Wire-to-Wire, 6 Position, .196 in [5 mm] Centerline, Sealable, Black, Signal, Cable Mount (Free-Hanging), Hybrid

[View on TE.com >](#)



Connectors > Automotive Connectors > Automotive Housings > AMP MCP, SEALED CONNECTOR HOUSING



Connector & Housing Type: **Housing for Female Terminals**

Mating Tab Width: **2.8 mm [.11 in]**

Connector System: **Wire-to-Wire**

Number of Positions: **6**

Centerline (Pitch): **5 mm [.196 in]**

[All AMP MCP, SEALED CONNECTOR HOUSING \(164\)](#)

Features

Product Type Features

Connector Shape	Rectangular
Connector & Housing Type	Housing for Female Terminals
Connector System	Wire-to-Wire
Sealable	Yes
Hybrid Connector	No
Primary Locking Feature	Integrated in Housing

Configuration Features

Number of Positions	6
Number of Rows	1

Body Features

Cable Exit Angle	180°
Primary Product Color	Black

Contact Features

Contact Size	2.8mm
Contact Type	Receptacle
Mating Tab Width	2.8 mm[.11 in]



Mechanical Attachment

Terminal Position Assurance	No
Strain Relief	Without
Mating Alignment Type	Polarized
Mating Alignment	With
Connector Mounting Type	Cable Mount (Free-Hanging)

Housing Features

Housing Material	PA GF
Centerline (Pitch)	5 mm [.196 in]

Dimensions

Connector Height	22.1 mm [.87 in]
Product Width	30.5 mm [1.2 in]
Product Length	46.8 mm [1.84 in]

Operation/Application

Circuit Application	Signal
---------------------	--------

Packaging Features

Packaging Quantity	200
Packaging Method	Bag

Other

Serviceable	No
Connector Position Assurance Capable	No

Product Compliance

[For compliance documentation, visit the product page on TE.com>](#)

EU RoHS Directive 2011/65/EU	Compliant
EU ELV Directive 2000/53/EC	Compliant
China RoHS 2 Directive MIIT Order No 32, 2016	No Restricted Materials Above Threshold
EU REACH Regulation (EC) No. 1907/2006	Current ECHA Candidate List: JUNE 2023 (235) Candidate List Declared Against: JAN 2023 (233) Does not contain REACH SVHC
Halogen Content	Low Halogen - Br, Cl, F, I < 900 ppm per homogenous material. Also BFR/CFR/PVC

Free

Solder Process Capability

Not applicable for solder process capability

Product Compliance Disclaimer

This information is provided based on reasonable inquiry of our suppliers and represents our current actual knowledge based on the information they provided. This information is subject to change. The part numbers that TE has identified as EU RoHS compliant have a maximum concentration of 0.1% by weight in homogenous materials for lead, hexavalent chromium, mercury, PBB, PBDE, DBP, BBP, DEHP, DIBP, and 0.01% for cadmium, or qualify for an exemption to these limits as defined in the Annexes of Directive 2011/65/EU (RoHS2). Finished electrical and electronic equipment products will be CE marked as required by Directive 2011/65/EU. Components may not be CE marked. Additionally, the part numbers that TE has identified as EU ELV compliant have a maximum concentration of 0.1% by weight in homogenous materials for lead, hexavalent chromium, and mercury, and 0.01% for cadmium, or qualify for an exemption to these limits as defined in the Annexes of Directive 2000/53/EC (ELV). Regarding the REACH Regulation, the information TE provides on SVHC in articles for this part number is based on the latest European Chemicals Agency (ECHA) 'Guidance on requirements for substances in articles' posted at this URL: <https://echa.europa.eu/guidance-documents/guidance-on-reach>

Compatible Parts



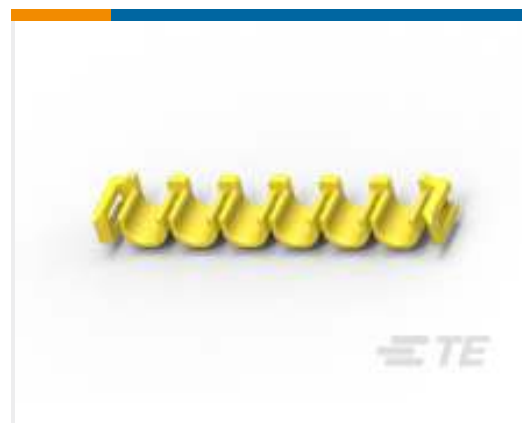
TE Part # CAT-AM706-T273
AMP MCP, SFC, RECEPTACLE



TE Part # 2219569-1
EVP 6P HDR ASSY



TE Part # 936397-2
2.8MM SLD 6P PLUG RETAINER BLK



TE Part # 936397-5
2.8MM SLD 6P PLUG RETAINER YEL


Also in the Series | AMP MCP 2.8




Automotive Connector Caps & Covers (1)




Automotive Connector Locks & Position Assurance(6)




Automotive Housings(183)



Automotive Seals & Cavity Plugs(1)



Automotive Terminals(10)



Insertion & Extraction Tools(6)



Module Components(1)

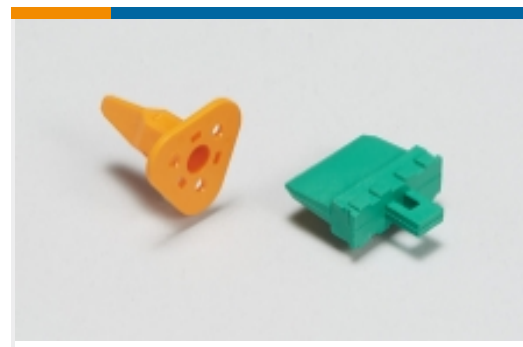


PCB Headers & Receptacles(1)

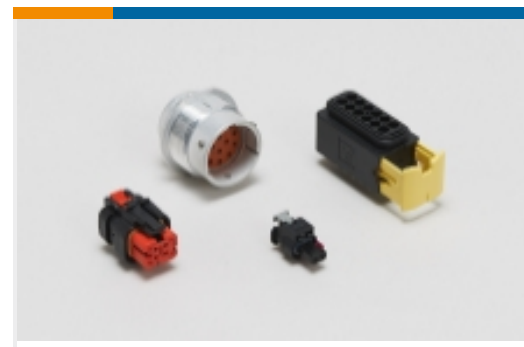
Also in the Series | AMP MCP Connector System



Automotive Connector Caps & Covers (25)



Automotive Connector Locks & Position Assurance(7)



Automotive Housings(360)



Automotive Seals & Cavity Plugs(6)



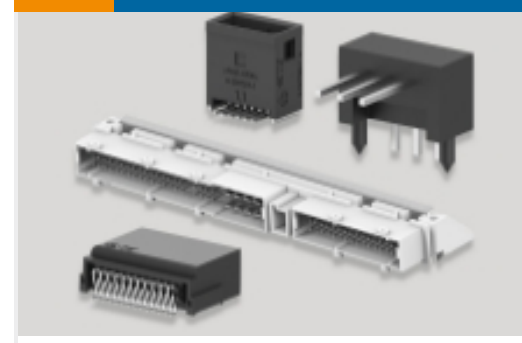
Automotive Terminals(135)



Insertion & Extraction Tools(13)



Other Automotive Connector Accessories(2)

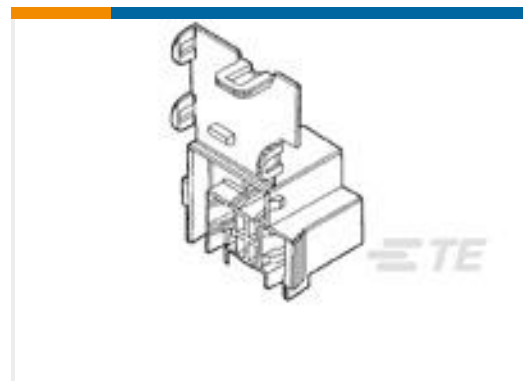


PCB Headers & Receptacles(30)

Customers Also Bought



TE Part #85113-1
MULTILOCK, CONNECTOR HOUSING



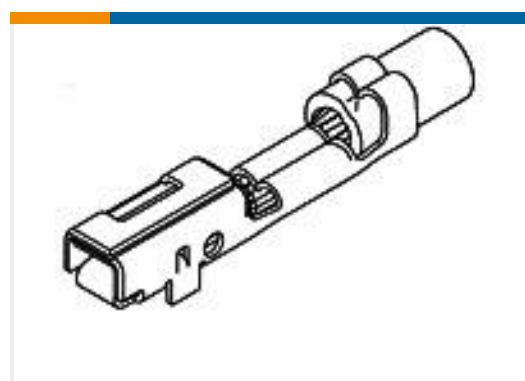
TE Part #353752-2
HEAD LAMP CONNECTOR .312 (7.92 MM)



TE Part #1-936686-1
UNDER COVER FOR BLM



TE Part #5-1897638-5
C.E BOX ASSY-BLM F/L-1FAN,4PW, STD



TE Part #368084-1
090II NON SLD REC(SQ0.85-1.25)

Documents

[Product Drawings](#)
[2.8MM SLD 6P PLUG ASSY](#)

English

CAD Files

[3D PDF](#)

[3D](#)

[Customer View Model](#)

[ENG_CVM_CVM_936394-2_B.2d_dxf.zip](#)



English

Customer View Model

[ENG_CVM_CVM_936394-2_B.3d_igs.zip](#)

English

Customer View Model

[ENG_CVM_CVM_936394-2_B.3d_stp.zip](#)

English

By downloading the CAD file I accept and agree to the [Terms and Conditions](#) of use.

Product Specifications

[2.8MM series](#)

English

Product Environmental Compliance

[Product Compliance](#)

English

[Product Compliance](#)

English