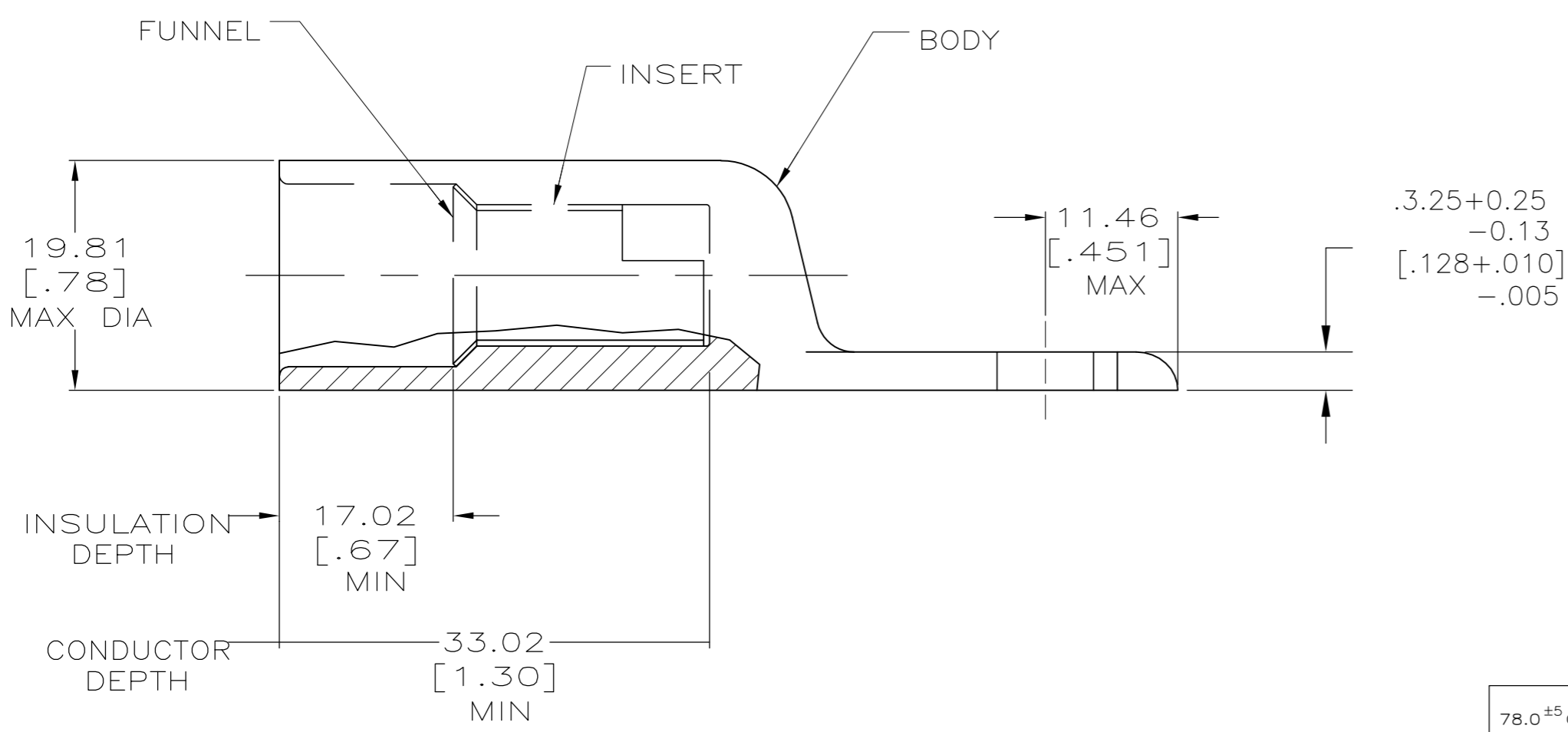
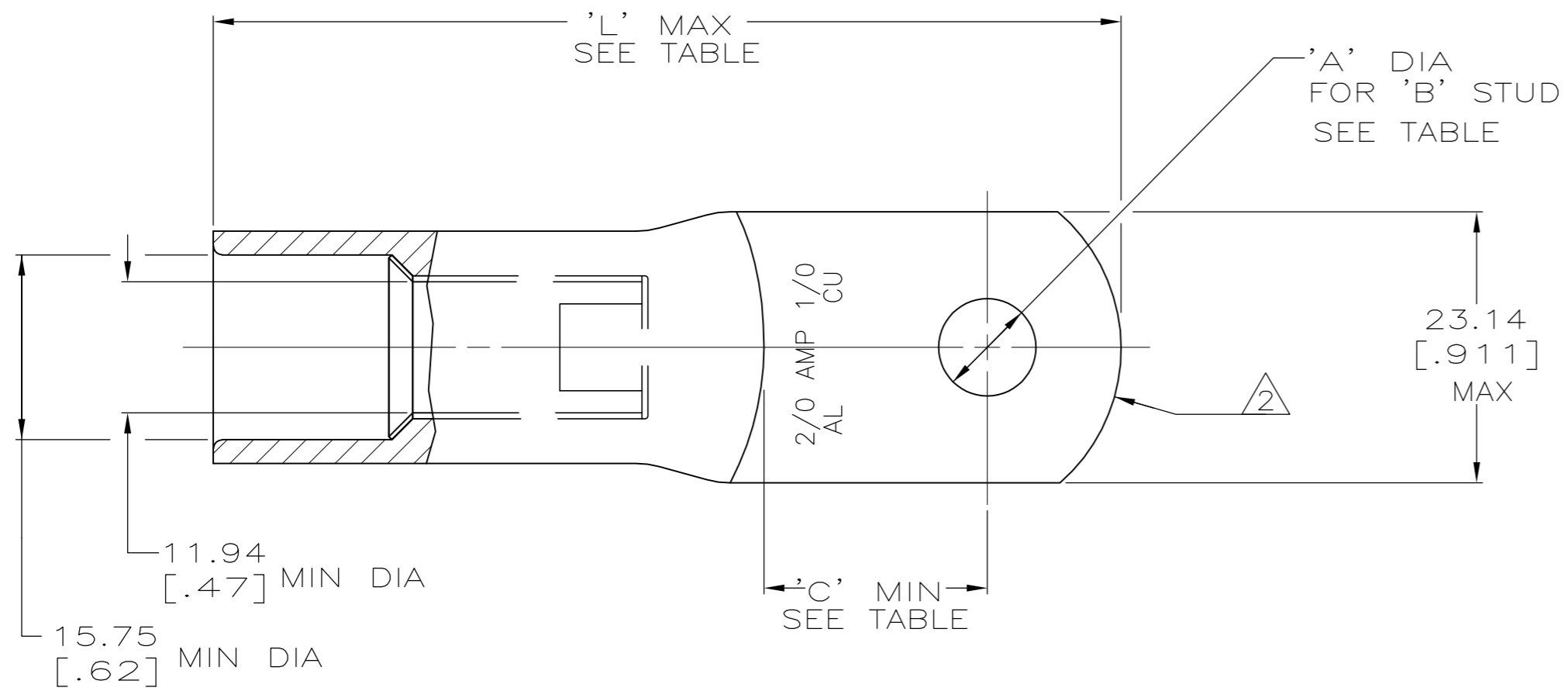


THIS DRAWING IS UNPUBLISHED. RELEASED FOR PUBLICATION
 © COPYRIGHT - By - ALL RIGHTS RESERVED.

LOC		DIST		REVISIONS			
P	LTR	DESCRIPTION		DATE	DWN	APVD	
	L	REV PER ECO 15-002995		11MAR15	KG	PD	

- 1 WIRE INSULATION: 12.70[.500] - 13.97[.550] DIA
- 2 THE TONGUE RADIUS FEATURE IS NOT A TOOLING CONTROLLED DIMENSION AND MAY NOT BE A TRUE RADIUS.



78.0 ^{±5} GRAMS	13.08 ^{±0.13} [.515 ^{±.005}]	1/2	77.47 [3.05]	18.03 [.71]	BODY: COPPER ASTM-B187 ANNEALED TIN PL PER MIL-T-10727 0.00381[.000150] MIN THK INSERT & FUNNEL: BRASS ASTM B36 NICKEL PL SAE AMS QQ-N-290A, DATED JULY 2000, 0.00254 [.000100] MIN THK	277152-5
81 ^{±5} GRAMS	9.91 ^{±0.13} [.390 ^{±.005}]	3/8				277152-4
80 ^{±5} GRAMS	8.33 ^{±0.13} [.328 ^{±.005}]	5/16	277152-3			
76.3 ^{±5} GRAMS	9.91 ^{±0.13} [.390 ^{±.005}]	3/8	277152-2			
-	6.73 ^{±0.13} [.265 ^{±.005}]	1/4	277152-1			
WEIGHT	'A'	'B'	'L'	'C'	MATERIAL & FINISH	PART NO.

THIS DRAWING IS A CONTROLLED DOCUMENT.

DWN DK SCHRUM 6/23/89		TE Connectivity WIRE TERMINAL, RING TONGUE, SEALED COPALUM 71.3mm2 [2/0] ALUMINUM 53.9mm2 [1/0] COPPER			
CHK MS FEHER 10/16/90					
APVD AJ KAUFMAN 10/20/90					
PRODUCT SPEC 108-11011					
APPLICATION SPEC 114-2134	SIZE A2	CAGE CODE 00779	DRAWING NO C-277152	RESTRICTED TO -	
MATERIAL SEE TABLE	FINISH SEE TABLE	WEIGHT SEE TABLE	SCALE 2:1	SHEET 1 of 1	REV L