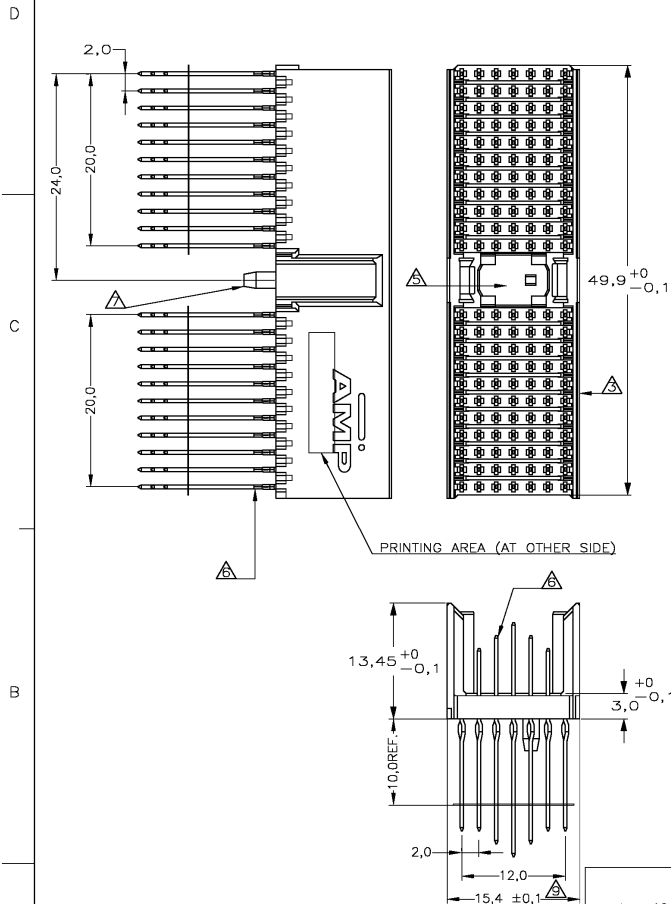
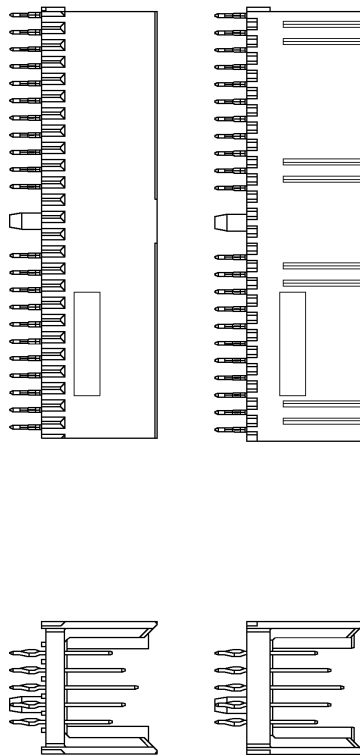


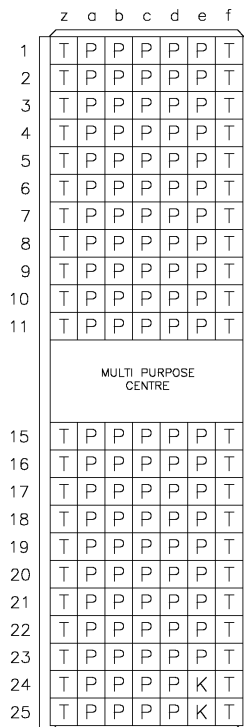
### CONNECTOR ASSEMBLY EXEMPLARY LOADED



### CONNECTOR APPEARANCES POSSIBLE VERSIONS

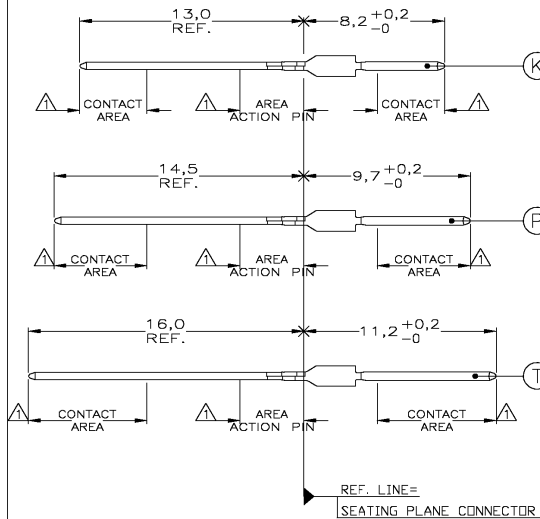


### CONTACT LAYOUT



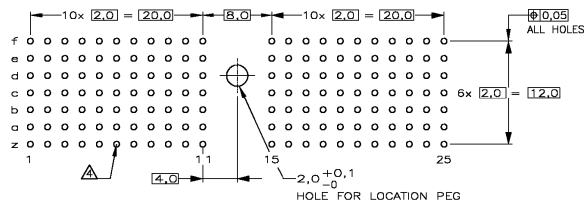
LOC		DIST		REVISIONS			
P	LTR	DESCRIPTION	DATE	DWN	APVD		
		EH-0394-94	24-JUN-94	LvdH	-		
A		SR10-0332-01	31-JUL-01	FB	-		

### CONTACT DIMENSIONS



#### NOTES:

- ⚠ FOR FINISH TYPES SEE PLATING TABLE.
- ⚠ MATERIAL CONTACT: PHOSPHORBRONZE.  
MATERIAL POST ALIGNMENT STRIP: UNFILLED POLYESTER  
MATERIAL HOUSING: GREY GLASSFILLED POLYESTER  
UL-RATING 94V0.
- ⚠ CONNECTOR MARKED WITH PART NUMBER AND DATE CODE.  
(OTHER MARKING OPTIONAL)
- ⚠ PLATED-THROUGH HOLES AT 2x2mm SQUARE GRID.
- ⚠ AREA FOR KEYING PART (BASIC PART NUMBER 100525).
- ⚠ FOR ACTUAL PIN LOADING SEE "CONTACT LAYOUT".
- ⚠ LOCATION PEG.
- ⚠ CONNECTOR LUBRICATED WITH BELCORE.  
APPROVED LUBRICANT TECHNICAL REFERENCE  
TR-NWT-001217 ISSUE 1 SEPT 1992



RECOMMENDED PCB-HOLE LAY-OUT  
COMPONENT SIDE SHOWN

P.C.B. HOLE DIM. ACTION PIN	
DRILLED HOLE:	0,7 ± 0,025mm
FIN. HOLE :	0,55 TO 0,65mm
Cu-thks :	0,025 TO 0,050mm
SnPb-thks :	0,004 TO 0,010mm

PART NUMBER	UNDER-COATING µm Ni MIN.	CONTACT AREA µm Au MIN.	ACTION-PIN AREA µm Sn/Pb	CONSERVATION TREATMENT	MATERIAL
0-188257-9	1,27	0,76	0,5-2,5	Yes ⚠	⚠
0-188257-1	1,27	0,76	0,5-2,5	No	⚠

THIS DRAWING IS A CONTROLLED DOCUMENT. DWN Frederik Beun 31-JUL-01

TYCO Electronics Tyco Electronics Corporation Oostkamp - BELGIUM

PRODUCT SPEC: 108-19082  
APPLICATION SPEC: 114-19029

SIZE: A2 CAGE CODE: 00779 DRAWING NO: 188257 RESTRICTED TO: -

CUSTOMER DRAWING SCALE: 5:1 SHEET 1 OF 1 REV A