

Voltage Supervisors (Reset ICs)

Quick Reference Guide



Overview

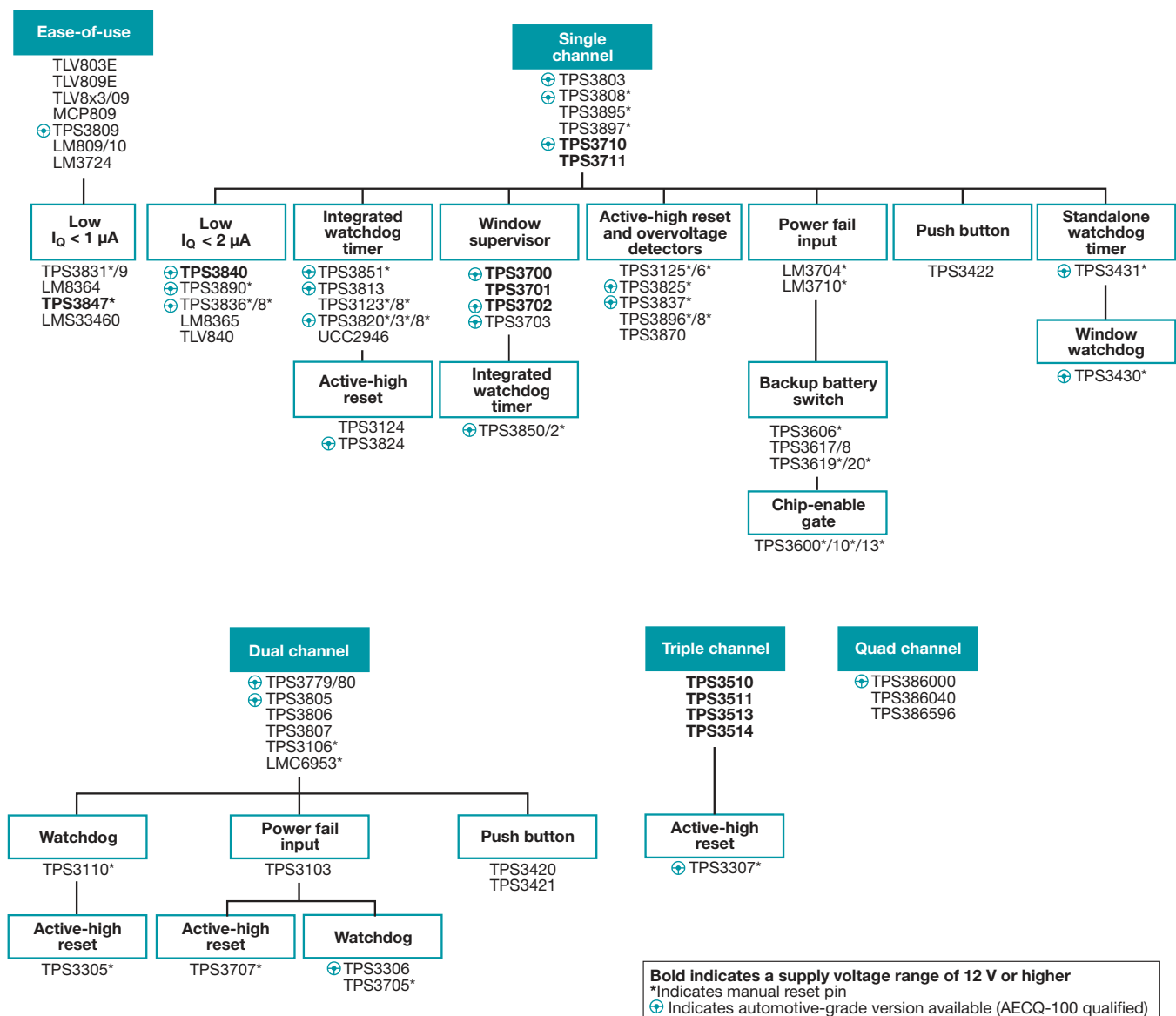
A voltage supervisor is a device that monitors or “supervises” a voltage rail within a system. When that monitored voltage rail falls below or rises above a predetermined threshold voltage, the supervisor will assert a signal to enable, disable, or reset another device. Supervisors are utilized to ensure proper system power on, prevent processor brownout conditions, and wherever a voltage rail, out of specification, could lead to performance issues or system failure.

Voltage supervisors are also known as reset ICs, voltage monitors or voltage detectors. These names all refer to the same device and are interchanged depending on the preference of the manufacturer.

For more information on various specifications of a supervisor, please see the design factor glossary on page 5 in this guide.

To view our basic training series on supervisors, please visit <https://training.ti.com/voltage-supervisors-101>

To learn more and view our complete voltage supervisor portfolio, please visit us at www.ti.com/supervisors



Voltage supervisors (reset ICs) selection table (continued)

Device	Number of supervisors	Supervised voltages	Package(s)	V _{DD} range (V)	I _{DD} (typ) (µA)	Time delay (ms)	Watchdog timer WDI (sec)	Reset threshold accuracy (%)	Manual reset/enable reset	Active-low reset/output	Active-high reset/output	Reset output topology ¹	Power-fail PFI/PFO	Overvoltage detection	Overcurrent detection	Chip-enabled gating	Comments	Automotive grade	Price*
Multiple channels																			
TPS3779/80	2	Adj.	SON-6, SOT-23-6	1.5 to 6.5	1.8			1	✓			PP/OD					Different Hysteresis Options	✓	0.50
TPS3805	2	Adj./3.3	SC-70-5	1.3 to 6.0	3			1.5	✓			PP						✓	0.34
TPS3806	2	Adj./2.0/3.3	SOT-23-6	1.3 to 6.0	3			2	✓			OD							0.45
TPS3807	2	3/3.5	SC-70-5	1.8 to 6.5	3.5	20		1	✓			OD							0.95
TPS3106	2	Adj./0.9/1.6/3.3	SOT-23-6	0.4 to 3.3	1.2	130		0.75	✓			OD							0.90
TPS3110	2	Adj./0.9/1.2/1.5/3.3	SOT-23-6	0.4 to 3.3	1.2	130	1.1	0.75	✓	✓		PP							0.99
TPS3305	2	1.8/2.5/3.3/5.0	SO-8, MSOP-8	2.7 to 6.0	15	200	1.6	2.7	✓	✓	✓	PP							1.00
TPS3307	3	Adj./1.8/2.5/3.3/5.0	SO-8, MSOP-8	2.0 to 6.0	15	200		2.7	✓	✓	✓	PP						✓	1.05
TPS3510/1	3	3.3/5.0/12.0	SO-8, DIP-8	4.0 to 15	1 mA	300		9.1		✓		OD	✓	✓			PC power supplies		0.45
TPS3513/4	3	3.3/5.0/12.0	SO-14, DIP-14	4.5 to 15	1 mA	300		9.1		✓		OD	✓	✓	✓		PC power supplies		0.70
TPS3860x0	4	Adj. (includes negative rail)	QFN	1.8 to 6.5	9	Prog	0.6	0.25	✓	✓	✓	PP/OD		✓				✓	0.95
TPS386596	4	Adj./3.0	MSOP-8	1.8 to 6.5	7.5	50		0.25	✓	✓		OD		✓					0.85
Power fail input																			
TPS3103	2	1.2/1.5/2.0/3.3	SOT-23-6	0.4 to 3.3	1.2	130		0.75	✓	✓		OD	✓						0.90
TPS3705	2	3.0/3.3/5.0	SO-8, MSOP-8	2.0 to 6.0	30	200	1.6	2.1	✓	✓		PP	✓						0.80
TPS3707	2	2.5/3.0/3.3/5.0	SO-8, MSOP-8	2.0 to 6.0	20	200		2.2	✓	✓	✓	PP	✓						0.75
TPS3306	2	1.5/1.8/2.0/2.5/3.3/5.0	SO-8, MSOP-8	2.7 to 6.0	15	100	0.8	2.7	✓	✓		OD	✓					✓	1.05
LM3704	2	2.32, 3.08, 3.6	VSSOP-10	1.0 to 5.5	28	28, 200		±2	✓	✓		PP/OD	✓						0.77
LM3710	2	2.32, 3.08, 4.63	VSSOP-10	1.0 to 5.5	28	28, 200	0.0062 to 25.6	±2	✓	✓		PP/OD	✓						1.10
Battery backup switchover supply supervisors																			
TPS3600	1	2.0/2.5/3.3/5.0	TSSOP-14	1.6 to 5.5	20	100	0.8	2.3	✓	✓		PP	✓			✓			2.15
TPS3606-33	1	3.3	MSOP-10	1.6 to 5.5	20	100	0.8	2	✓	✓		PP	✓						1.45
TPS3613-01	1	Adjustable	MSOP-10	1.6 to 5.5	20	100		1.7	✓	✓	✓	PP				✓			1.50
TPS3617/8	1	4.55	MSOP-8	1.6 to 5.5	15	100	0.8	2		✓		PP	✓				TPS3617 includes battery freshness seal		1.33
TPS3619/20	1	3.3/5.0	MSOP-8	1.6 to 5.5	15	100		2	✓	✓		PP	✓				TPS3619 includes battery freshness seal		1.10

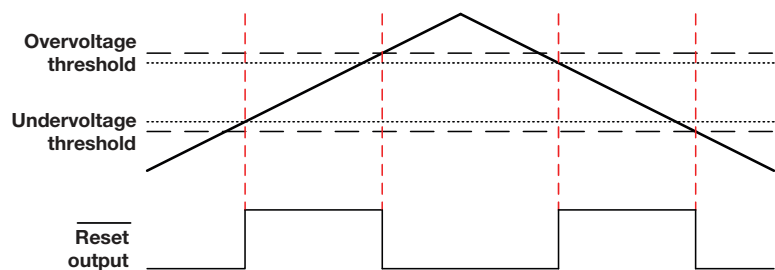
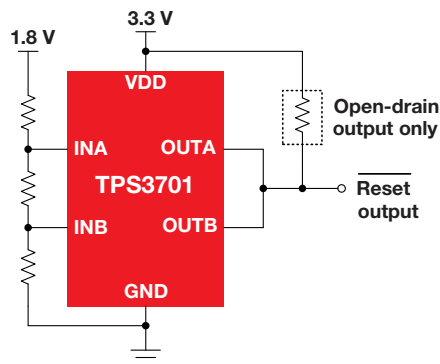
¹PP = push-pull, OD = open drain.

*Suggested resale price in U.S. dollars in quantities of 1,000.

Benefits and features of voltage supervisors (reset ICs)

Window supervisor

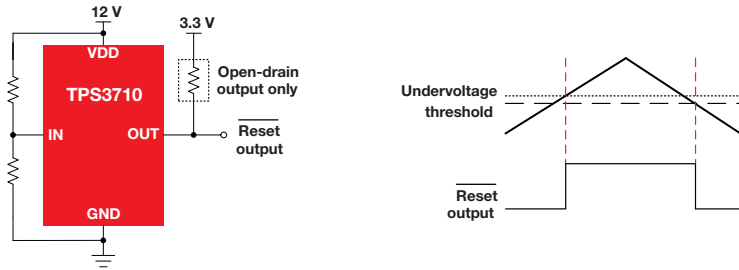
Detect overvoltage fault events in addition to undervoltage fault events to alert a system if a voltage rail deviated from its permissible tolerance.



Benefits and features of voltage supervisors (reset ICs) (continued)

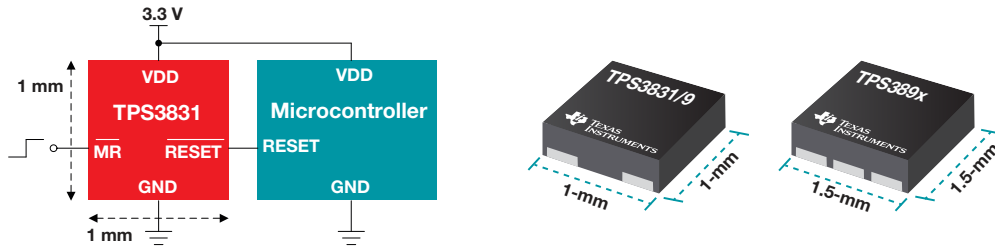
Wide input voltage

For voltage rails greater than 7 V, TI's family of wide-input supervisors can operate and monitor directly off an input voltage rail of 12 V or more.



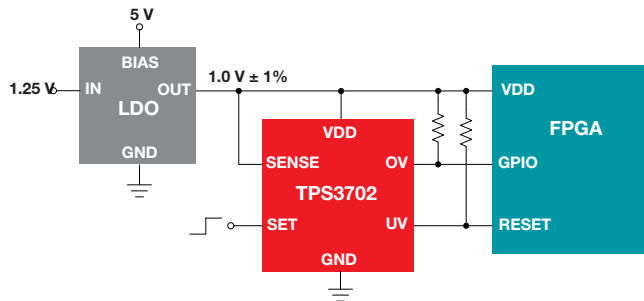
Nano power + small size

TI's family of nano-power, small-size supervisors help improve system efficiency, increase battery life and address PCB size constraints.



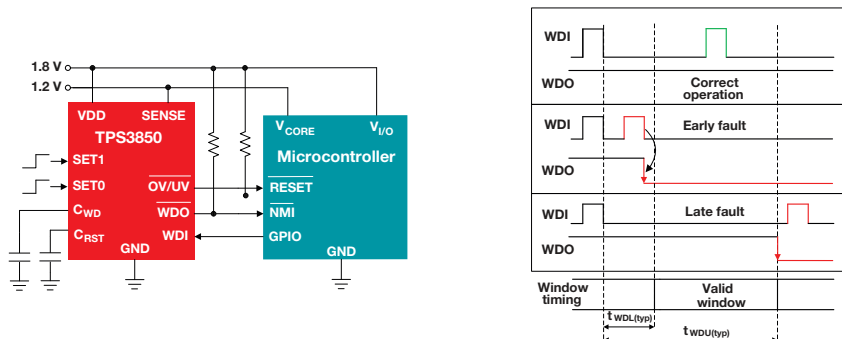
High accuracy

For voltage rails with tight tolerance specifications, such as those found in processors and FPGAs, TI's high-accuracy voltage supervisors (down to 0.9% error tolerance) detect fault events with extreme precision.



Integrated watchdog timer

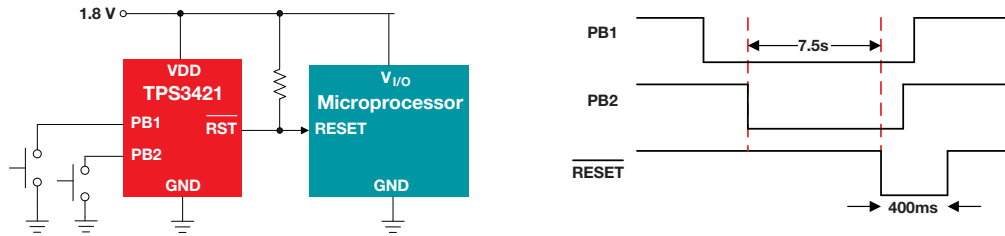
In addition to monitoring voltage rails, many processors or FPGAs also need a watchdog timer to detect and recover from a hardware fault or program error. Using a supervisor with an integrated watchdog timer, one device has the ability to both monitor voltage as well as processor faults.



Benefits and features of voltage supervisors (reset ICs) (continued)

Push-button reset IC

Being able to reset a system by holding down a button or two is critical to applications where it is not easy to remove the battery. They are also useful when a processor is frozen and a user needs to force the application to reset. In such cases, a push-button reset IC can monitor these user presses and provides a reset after a given time period has been met.



Design factors

- **Reset time delay (T_D)** — Refers to the amount of time the reset output takes to de-assert when the monitored voltage has returned above the voltage threshold.
- **Reset output polarity** — The reset output can assert high (Active-High) or low (Active-Low) in the event of a fault.
- **Reset output topology** — The reset output comes in two flavors: open-drain (OD) and push-pull (PP). An open-drain (or open-collector) output requires the output be tied to an external voltage via a pull-up resistor. A push-pull (or CMOS) output both sinks and sources current without needing to be tied to an external voltage.
- **Package** — TI's Reset ICs are available in leaded (ex. SOT23-3) and unlead packages (ex. X2SON). The smallest voltage supervisors in TI's portfolio are 1 mm².
- **Watchdog timer (WDT)** — Monitors a periodic pulse from a processor and provides a reset signal to the processor when that pulse has not been received within a designated time period. This increases redundancy in systems that can't afford an undetected processor hang or freeze.
- **Supply current (I_{DD})** — Voltage supervisor current draw. Minimizing the supply current is critical in extending battery life and ensuring more efficient system operation.
- **Manual reset (MR) / Enable (EN)** — Allows manual intervention to assert the reset output.
- **Voltage threshold accuracy** — Determines how close the actual threshold voltage is to the target threshold voltage.
- **AEC-Q100 qualification** — Many of TI's voltage supervisors are qualified for use in automotive applications. This is indicated by a "-Q1" suffix. Other devices can be qualified upon request.

Important Notice: The products and services of Texas Instruments Incorporated and its subsidiaries described herein are sold subject to TI's standard terms and conditions of sale. Customers are advised to obtain the most current and complete information about TI products and services before placing orders. TI assumes no liability for applications assistance, customer's applications or product designs, software performance, or infringement of patents. The publication of information regarding any other company's products or services does not constitute TI's approval, warranty or endorsement thereof.

The platform bar is a trademarks of Texas Instruments.
All other trademarks are the property of their respective owners.

A011617

IMPORTANT NOTICE AND DISCLAIMER

TI PROVIDES TECHNICAL AND RELIABILITY DATA (INCLUDING DATASHEETS), DESIGN RESOURCES (INCLUDING REFERENCE DESIGNS), APPLICATION OR OTHER DESIGN ADVICE, WEB TOOLS, SAFETY INFORMATION, AND OTHER RESOURCES "AS IS" AND WITH ALL FAULTS, AND DISCLAIMS ALL WARRANTIES, EXPRESS AND IMPLIED, INCLUDING WITHOUT LIMITATION ANY IMPLIED WARRANTIES OF MERCHANTABILITY, FITNESS FOR A PARTICULAR PURPOSE OR NON-INFRINGEMENT OF THIRD PARTY INTELLECTUAL PROPERTY RIGHTS.

These resources are intended for skilled developers designing with TI products. You are solely responsible for (1) selecting the appropriate TI products for your application, (2) designing, validating and testing your application, and (3) ensuring your application meets applicable standards, and any other safety, security, or other requirements. These resources are subject to change without notice. TI grants you permission to use these resources only for development of an application that uses the TI products described in the resource. Other reproduction and display of these resources is prohibited. No license is granted to any other TI intellectual property right or to any third party intellectual property right. TI disclaims responsibility for, and you will fully indemnify TI and its representatives against, any claims, damages, costs, losses, and liabilities arising out of your use of these resources.

TI's products are provided subject to TI's Terms of Sale (www.ti.com/legal/termsofsale.html) or other applicable terms available either on ti.com or provided in conjunction with such TI products. TI's provision of these resources does not expand or otherwise alter TI's applicable warranties or warranty disclaimers for TI products.

Mailing Address: Texas Instruments, Post Office Box 655303, Dallas, Texas 75265
Copyright © 2020, Texas Instruments Incorporated