

# Tip Jack Insulated Standard



INCHES (MILLIMETERS)  
CUSTOMER DRAWINGS AVAILABLE UPON REQUEST

**SPECIFICATIONS:**

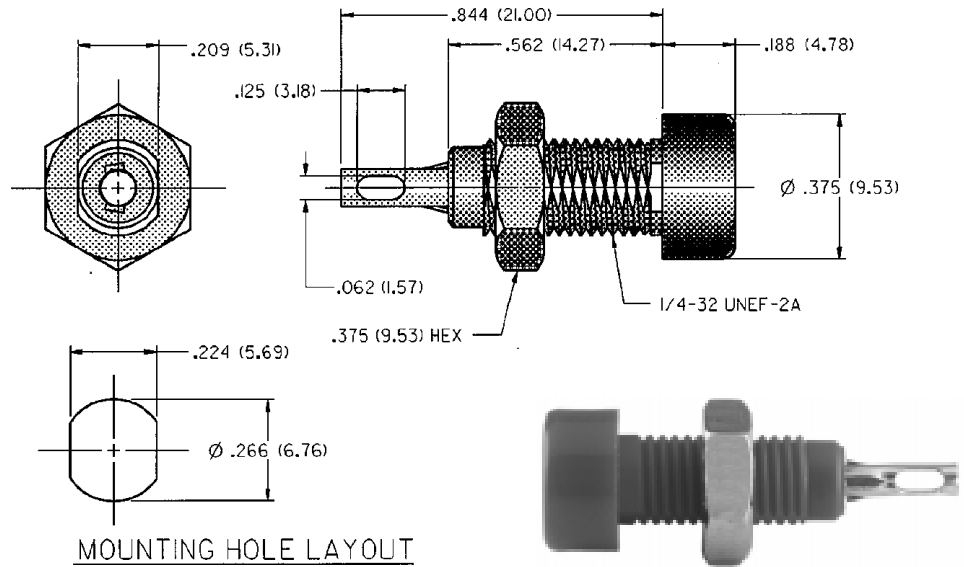
**Contact:** Phosphor bronze per QQ-B-750  
**Finish:** Bright tin  
**Body:** Nylon 6/6 per ASTM D4066  
**Hardware:** Nickel plated nut (unassembled)  
**Body Thread Stripping Torque:** 4.0 lb. in.  
 (4.5 kg. cm.)  
**Panel Thickness:** Up to .437 (11.10)

**RATINGS**

**Current:** 10 amps  
**Breakdown Voltage:** 5700 Vrms minimum  
**Contact Resistance:** 0.010 ohms maximum

**Contact-To-Panel C:** 2 pF nominal

BRIGHT TIN PLATING	
105-0802-001	Red



**For Standard Tip Plug: .080 (2.00) Diameter**

**FEATURES:**

- Formed contact with slotted terminal
- Hex socket head  $.188$  (4.77) for ease in mounting
- Nylon UL approved for self extinguishing