

Lighting Controls

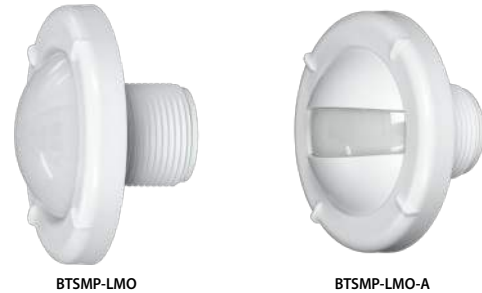
DATE:	LOCATION:
TYPE:	PROJECT:
CATALOG #:	

BTSMP SERIES

BLUETOOTH® LOW MOUNT OUTDOOR PASSIVE INFRARED FIXTURE SENSOR

FEATURES

- Passive Infrared (PIR) sensing technology provides excellent major motion detection
- Wireless programming using NX Lighting Controls mobile app
- 0-10V Dimming control
- Single/Dual motion sensor timer modes
- Daylight sensor with multiple daylight harvesting modes
- 360° and aisle coverage options
- Compact, discrete, low profile luminaire sensor
- Supports low temperature, water-tight and outdoor applications



SPECIFICATIONS

CONSTRUCTION

- ABS (UL-945VA) flame class rating, UV inhibitors
- 4.0 oz (113.0g)
- White, Black, Gray finishes available
- External: 1.0" (25.4mm) H, 3.5" (84.6mm) W
- Internal Thread: 1.3" (27.94mm) L, 1.4" (35.6mm) W

ELECTRICAL

- Low Voltage sensors: 12-32VDC (Requires Dim to Off driver with auxiliary power or low voltage power supply - Not included)
- Dimming: 0-10V; Capable of sinking up to 30mA
- Bluetooth Radio: V5.0

OPERATION

- Indoor/Outdoor use
- 1:3 (Mounting Height : Coverage Radius); Up to 16ft
- Operating temperature: -40°F to 149°F (-40°C to 65°C)
- Wireless programming of sensor settings using NX Lighting Controls mobile app. Maximum programming distance: 45 Ft
- Easy to use slider controls for sensor settings

OPERATION (CONTINUED)

- Motion sensor and photosensor test modes
- Configurable LED motion indicator
- Single/Dual Motion Sensor Timer Modes
 - Single Timer Mode: Timer (0 secs - 30 mins), Level Adjustment (0-100%)
 - Dual Timer Mode: Timer 1 (0 secs - 30 mins), Level Adjustment (0-100%), Timer 2 (0 min - 5 hrs)
- Multiple Daylight Harvesting Modes
 - Full range dimming with auto configuration (closed loop operation)
 - Legacy dimming (open loop operation)
 - Dusk to dawn (On/Off operation)
 - Disabled (Default)
- Device Cloning: Sensor settings can be saved to device profiles and then cloned to other sensors
- Patented Intelliscope™ technology showing real-time occupancy data
- Security
 - Passcode protection to prevent unwanted changes
- Factory Defaults: Sensor can be set to factory defaults using the app

OPERATION (CONTINUED)

- Over the Air (OTA) firmware updatable
- Dual element pyrometer and spherical Fresnel lens designed for robust detection of person walking

DAYLIGHT SENSOR

- Range: 1 to 50fc or 5 to 500fc

CERTIFICATIONS

- Conforms with UL STD 508, UL STD 244A
- IP65 Rated

WARRANTY

- 5 year limited

Lighting Controls

BTSMP SERIES

BLUETOOTH® LOW MOUNT OUTDOOR PASSIVE INFRARED FIXTURE SENSOR

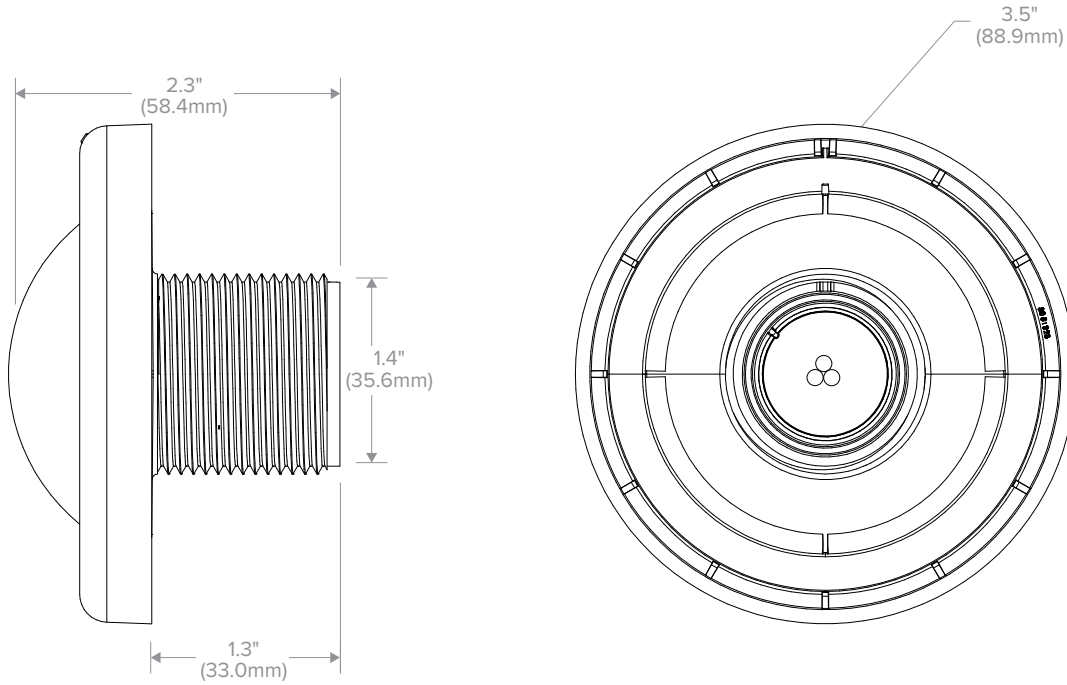
ORDERING GUIDE

Example: BTSMP-LMO, BTSMP-LMO-A-BK

CATALOG #

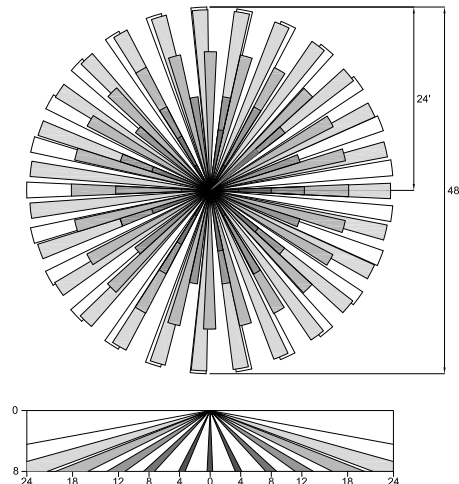
BTSMP		Sensor Type		Color	
Model					
BTSMP	Bluetooth Sensor Module with Passive Infrared Sensing Technology, 24VDC	LMO	Low Mount Outdoor, 360° Lens	Blank	White
		LMO-A	Low Mount Outdoor, Aisle Lens	BK	Black
				GY	Gray

DIMENSIONS



ADDITIONAL INFORMATION

Coverage Patterns



Sensor Lens Coverage and Detection Patterns When Mounted at 8ft with Low Mount Lens

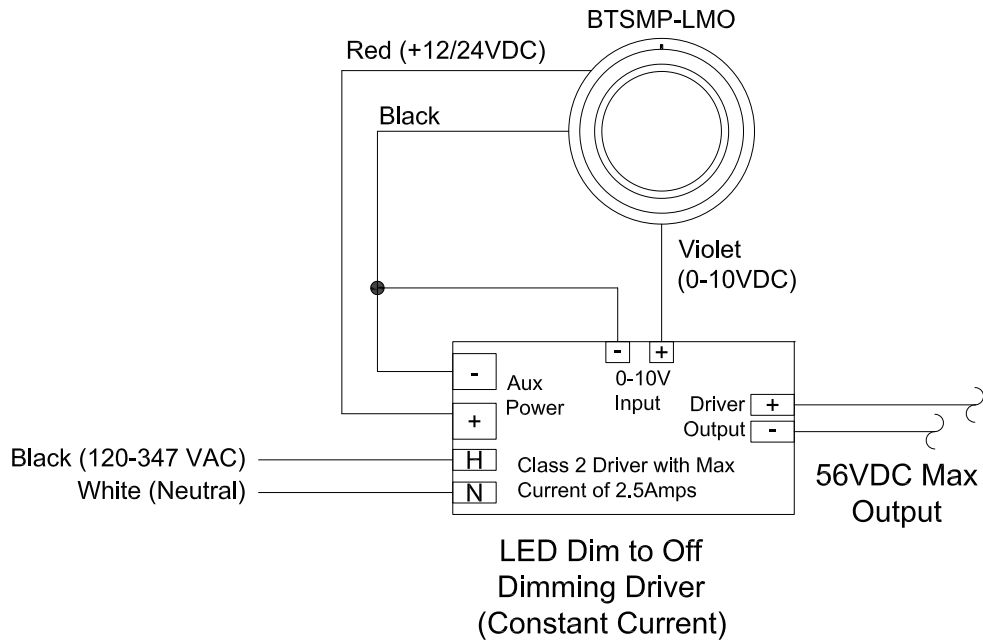
Lighting Controls

BTSMP SERIES

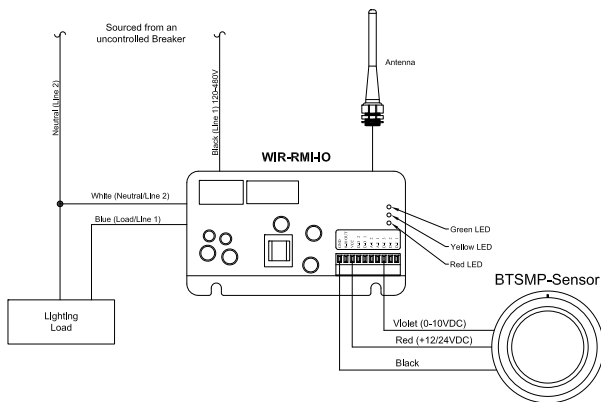
BLUETOOTH® LOW MOUNT OUTDOOR PASSIVE INFRARED FIXTURE SENSOR

ADDITIONAL INFORMATION (CONTINUED)

Wiring Diagrams

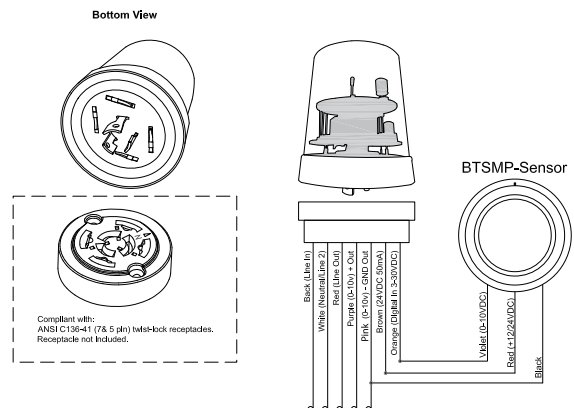


BTSMP Sensor Connected to Dim to OFF Driver with Aux Supply (+12/24VDC)



NOTE: Disconnect power prior to installation.

wiSCAPE® Wiring Diagram with WIR-RMI-IO with a BTSMP Sensor



NOTE: Disconnect power prior to installation.

wiSCAPE Wiring Diagram with WIR-RME-L with a BTSMP Sensor

Default Settings

Occupancy Sensor	Enabled
Occupancy Sensor Sensitivity	7
Occupancy Sensor Timeout	8 Minutes
Occupied Dim Level	100%
Unoccupied Dim Level	0% (OFF)
Daylight Sensor	Disabled