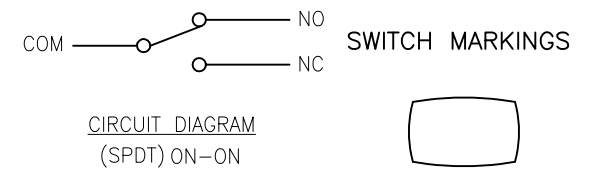
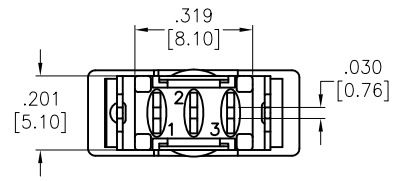
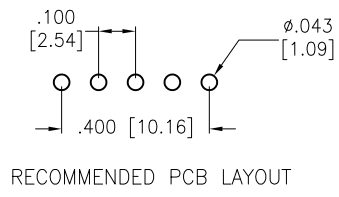
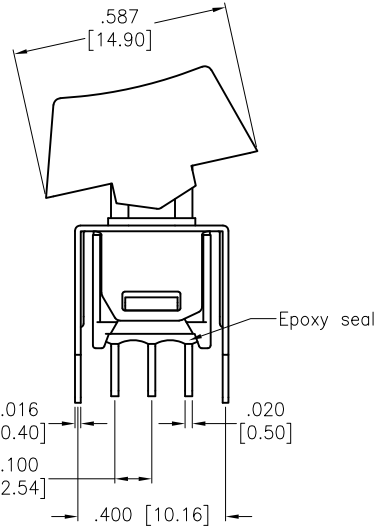
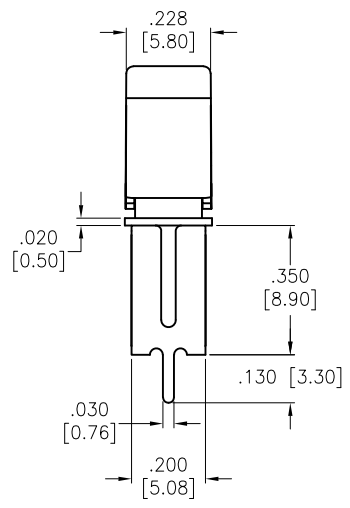


Rev	AWO #	Description	Date	Appr
-		RELEASED	12/23/20	
A		UPDATE TITLE	6/25/21	WX/RC

APPROVED: _____
 DATE: _____ TITLE: _____



SPECIFICATIONS:
 Material:
 Movable contact: Copper Alloy, Gold over Nickel Plated
 Terminals: Copper Alloy, Gold over Nickel Plated
 Cap Actuator: Plastic, color Black
 Electrical:
 Rating: 0.4 VA max @ 20V max (AC or DC)
 Contact resistance: 20 mohms max initial
 Insulation resistance: 1,000 Mohms min
 Dielectric withstanding voltage: 1,500V RMS @ sea level
 Electrical life: 30,000 make and break cycles at full load
 Temperature Rating:
 Operating temperature: -30°C to +85°C
 Environmental:
 Lead free, RoHS compliant



UNLESS OTHERWISE SPECIFIED
 ALL DIMENSIONS ARE INCHES [MM]
 TOLERANCES: EXCEPT AS NOTED

INCHES		HOLES	
.X	± .10	Ø.X	± .10
.XX	± .020	Ø.XX	± .015
.XXX	± .015	Ø.XXX	± .010

APPROVALS		DATE
DRAWN	OW	12/23/20
CHECKED	AC	12/23/20
APPROVED		

ADAM TECH 909 Rahway Avenue,
 Union, NJ 07083
 Phone: 908-687-5000
 Fax: 908-687-5710

TITLE
 SUB-MINIATURE ROCKER SWITCH, SPDT, ON-ON,
 PCB VERTICAL MOUNTING TYPE, SMALL BLACK ROCKER

SIZE X	PART NO. SW-R3-2B-B-SB5-G-13	REV. A
-----------	---------------------------------	-----------

REF: S00198T SCALE: NTS SHEET 1 OF 1

6
5
4
3
2
1

D
C
B
A

D
C
B
A