

4

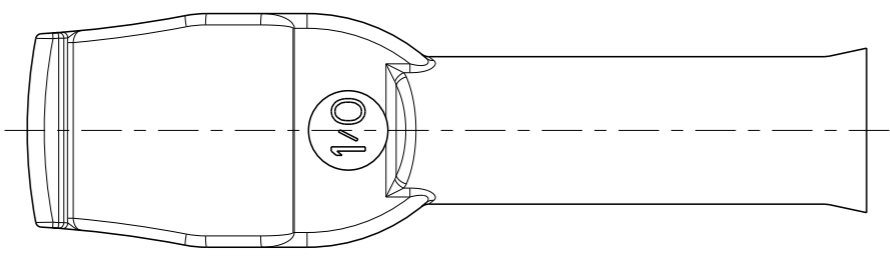
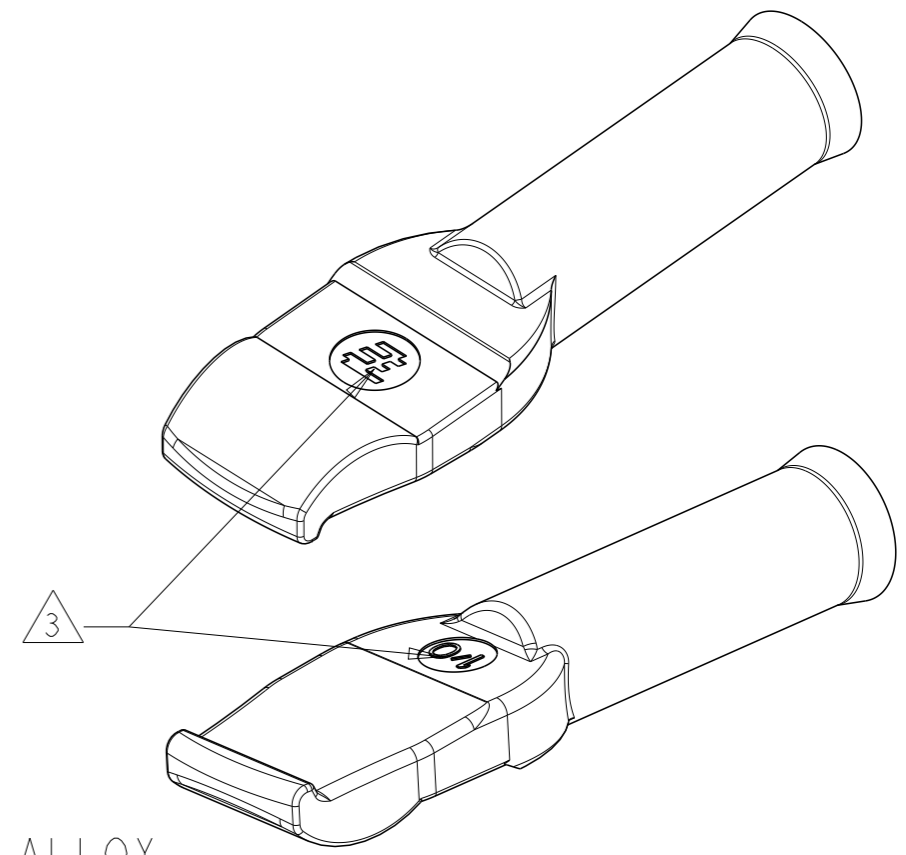
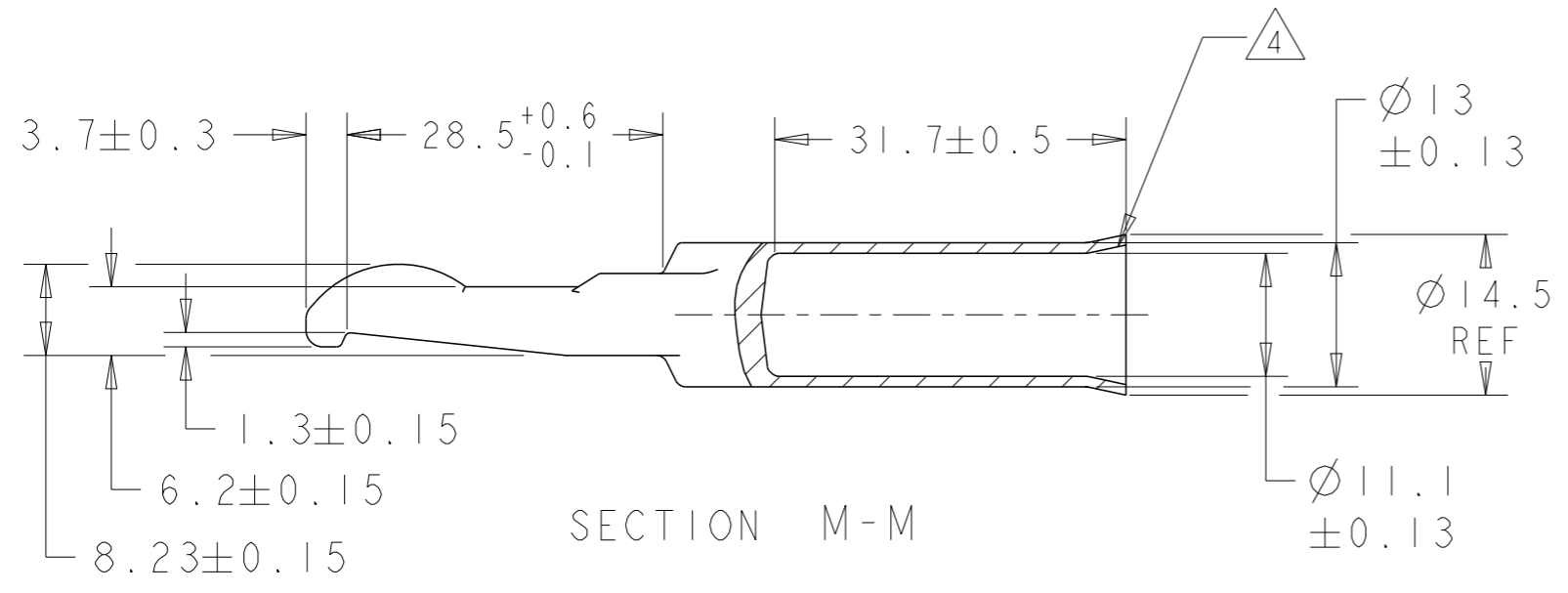
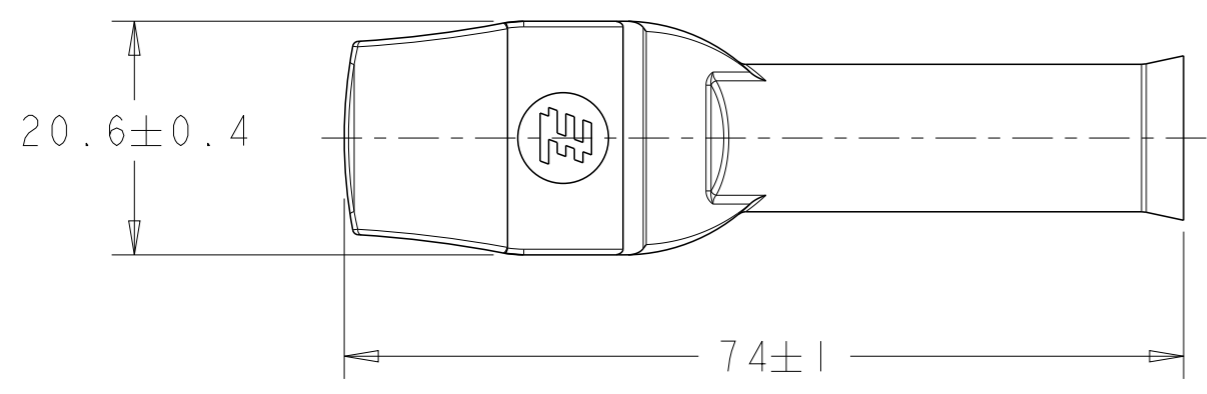
3

2

1

THIS DRAWING IS UNPUBLISHED. RELEASED FOR PUBLICATION 20
 © COPYRIGHT 20 BY TYCO ELECTRONICS CORPORATION. ALL RIGHTS RESERVED.

LOC	DIST	REVISIONS			
P	LTR	DESCRIPTION	DATE	DWN	APVD
CM	0	B	REV PER ECR 10-006756	01APR10	JR SM
		C	REV PER ECR-18-000415	17JAN2018	RS SZ
		CI	REV PER ECR-18-010169	04JUL2018	RS SZ



- 1. MATERIAL: COPPER ALLOY
- 2. FINISH: PLATED SILVER
- 3. STAMP MARK MAY BE ROTATED
- 4. DEFORMATION OF THE FLARE IS PERMISSIBLE PROVIDED IT DOES NOT REDUCE THE WIRE BARREL ID.

METRIC

AS SHOWN	1604055-1
DESCRIPTION	PART NUMBER

<small>THIS DRAWING IS A CONTROLLED DOCUMENT FOR TYCO ELECTRONICS CORPORATION IT IS SUBJECT TO CHANGE AND THE CONTROLLING ENGINEERING ORGANIZATION SHOULD BE CONTACTED FOR THE LATEST REVISION.</small>		DWN 09APR2002 Brent D. Yohn		Tyco Electronics Harrisburg, PA 17105-3608			
DIMENSIONS: mm		CHK 09APR2002 W.H. BERNHART		NAME CONTACT, AMP POWER SERIES 350, 1/0 AWG			
TOLERANCES UNLESS OTHERWISE SPECIFIED: 0 PLC ±- 1 PLC ±0.3 2 PLC ±0.13 3 PLC ±0.050 4 PLC ±- ANGLES ±1°		APVD 09APR2002 W.H. BERNHART	PRODUCT SPEC - APPLICATION SPEC - WEIGHT -				
MATERIAL -		FINISH -		SIZE A3	CAGE CODE 00779	DRAWING NO C-1604055	RESTRICTED TO
CUSTOMER DRAWING				SCALE 3:2	SHEET 1 OF 1	REV CI	