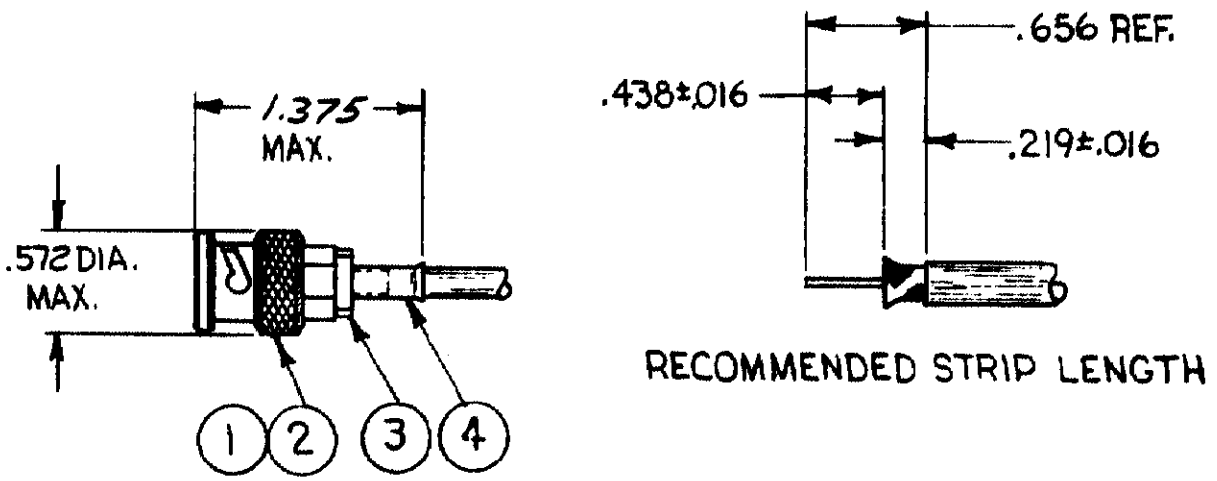


REVISIONS					
P	F	LTR	DESCRIPTION	DATE	APPROVED
<input checked="" type="checkbox"/>		G1	REVISED PER ECR-16-009453	30JUN16	BW

THIS DRAWING IS UNPUBLISHED. RELEASED FOR PUBLICATION MAY 25, 1983.
 BY AMP INCORPORATED, HARRISBURG, PA. ALL INTERNATIONAL RIGHTS RESERVED. AMP PRODUCTS MAY BE COVERED BY U.S. AND FOREIGN PATENTS AND/OR PATENTS PENDING.



1. FOR USE WITH: RG-178/U + 196/U CABLE
2. USE CRIMPING TOOL: 69245-4.
3. SEE I.S. 1799-1
4. WEIGHT: .451 OZ.

ITEM	QTY.	DESCRIPTION	PART NO
4	1	FERRULE	328667
3	1	CRIMP END ASSV	9-50780-4
2	1	GASKET	2-329106-1
1	1	PLUG ASSY	9-329804-0

UNLESS OTHERWISE SPECIFIED DIMENSIONS ARE IN INCHES. TOLERANCES ON: DECIMALS ± # ANGLES ± #

MATERIAL _____

FINISH _____

CONTRACT NO _____

DR *[Signature]* 8-25-83

CHK *[Signature]* 9/12/83

APPD *[Signature]* 11/21/83

APPD *[Signature]* 11/10

DSGN APPD _____

OTHER APPD _____

AMP | AMP INCORPORATED
Harrisburg, Pa. 17105

NAME **CONNECTOR, COAXIAL, R.F., PLUG, SERIES BNC**

SIZE **A** FSCM NO **00779** DRAWING NO **330876**

SCALE **NTS** SHEET _____