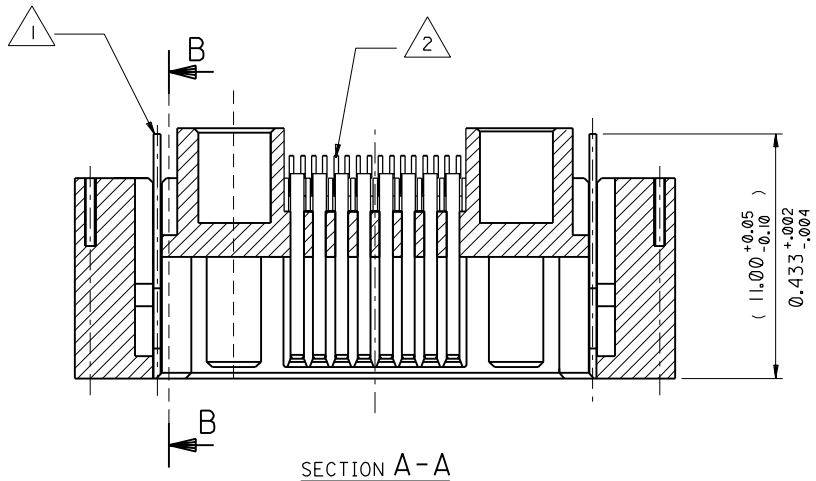
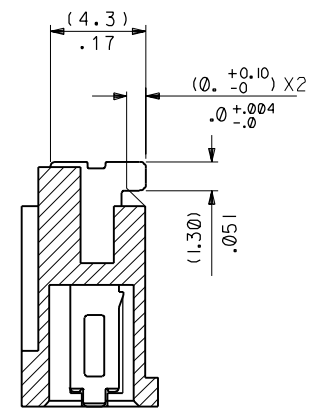


10 9 8 7 6 5 4 3 2 1

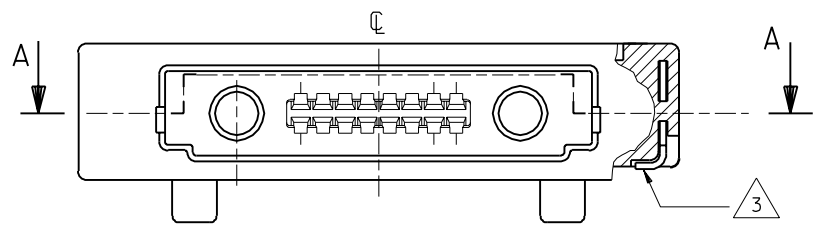
PART NO. SDA-90811-0106
 DWG. NO. 90811-0106



SECTION A-A



SECTION B-B



FOR MISSING DIMENSIONS SEE DRAWING SDA-90811-0109.

2	A
1	A
SH.	REV.

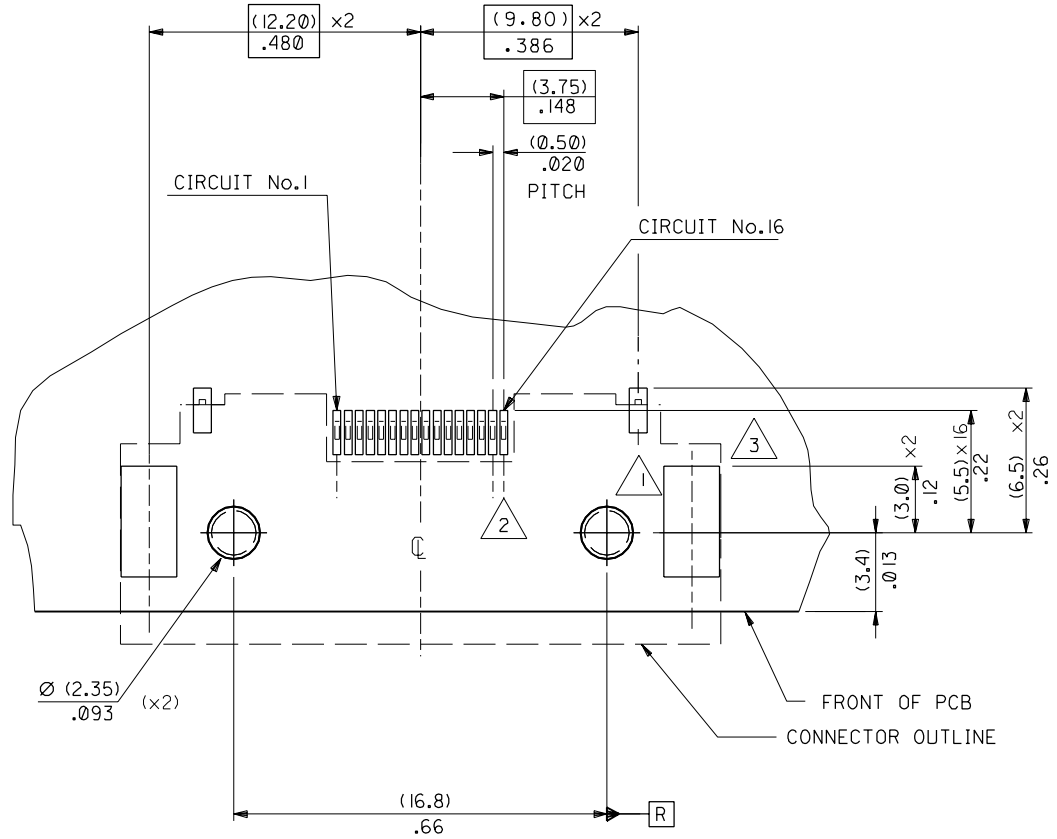
FOR PREVIOUS DRAWING ISSUES SEE MRI.

ORIGINAL RELEASE ECN E50434 95.03.29 HDU	DIMENSIONS SHOWN (METRIC) INCH UNLESS OTHERWISE SPECIFIED TOLERANCES: ANGULAR ± 1/2°	DRWG BY HDU
A	INCH (METRIC)	CHK'D BY
	3 PLACE ± .002	APP'D BY
LTR	2 PLACE ± .004 ± 0.05	SCALE
	1 PLACE ± 0.10	5:1
	DRAFT WHERE APPLICABLE MUST REMAIN WITHIN DIMENSIONS	
	DESIGN DIMENSION (PRIMARY) <input checked="" type="checkbox"/> (MM) <input type="checkbox"/> IN.	
	EQUIVALENT DIMENSION (SECONDARY) <input type="checkbox"/> (MM) <input checked="" type="checkbox"/> IN.	

REVISE ONLY ON CAD SYSTEM		THIS DRAWING CONTAINS INFORMATION THAT IS PROPRIETARY TO MOLEX INC. & SHOULD NOT BE USED WITHOUT WRITTEN PERMISSION	
TITLE I/O CONNECTOR FOR MOBILE PHONE			
MOLLEX MOLEX EUROPE		SHEET NO. DATE 10F 2 95/03/29	
PART NO. 90811-0106	DWG NO. SDA-90811-0106	SIZE B	

7132-1283 10 9 8 7 6 5 4 3 2 1

PART NO. **90811-0106**
 DWG. NO. **SDA-90811-0106**



FOR PREVIOUS DRAWING ISSUES SEE MRI.	A SEE SHEET I.	DIMENSIONS SHOWN (METRIC) INCH		DRWG BY HDU
		UNLESS OTHERWISE SPECIFIED TOLERANCES: ANGULAR ± 1/2°		
		INCH	(METRIC)	
		3 PLACE ± .002		
		2 PLACE ± .004	± 0.05	CHK'D BY
		1 PLACE ± 0.10		APP'D BY
DRAFT WHERE APPLICABLE MUST REMAIN WITHIN DIMENSIONS				SCALE
DESIGN DIMENSION (PRIMARY) <input type="checkbox"/> IN. <input checked="" type="checkbox"/> (MM)				5:1
EQUIVALENT DIMENSION (SECONDARY) <input type="checkbox"/> IN. <input checked="" type="checkbox"/> (MM)				

REVISE ONLY ON CAD SYSTEM		SH.	REV.
CAD/CAM FILENAME P908116 DGN		THIS DRAWING CONTAINS INFORMATION THAT IS PROPRIETARY TO MOLEX INC. & SHOULD NOT BE USED WITHOUT WRITTEN PERMISSION	
TITLE I/O CONNECTOR FOR MOBILE PHONE			
MOLEX EUROPE		SHEET NO. 20F	DATE 95/03/29
PART NO. 90811-0106	DWG NO. SDA-90811-0106	SIZE B	