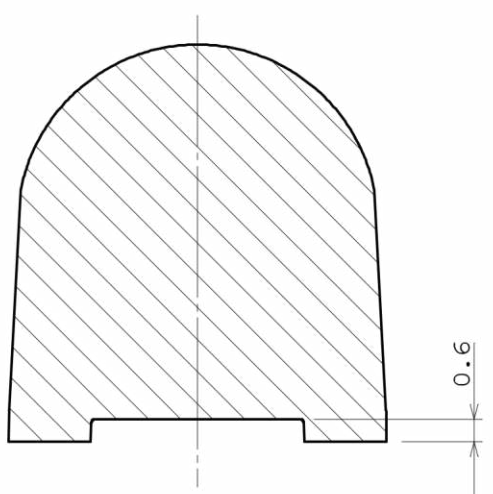
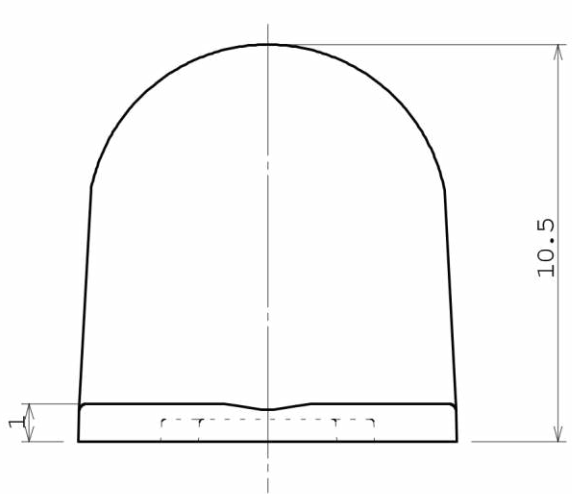
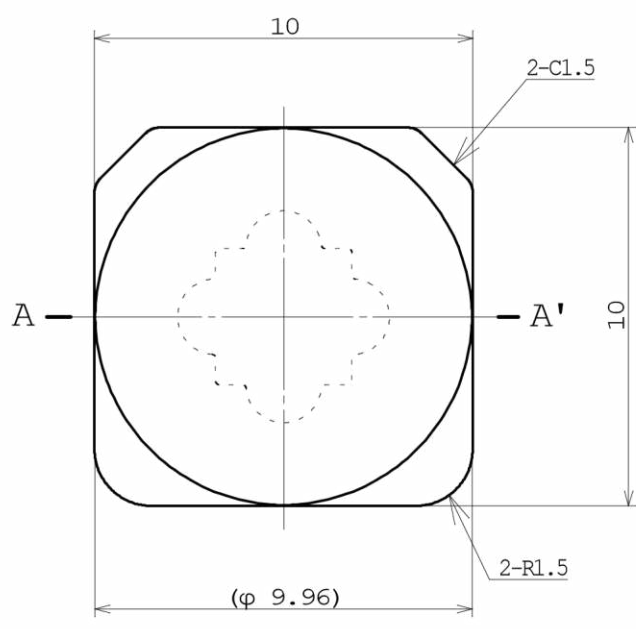
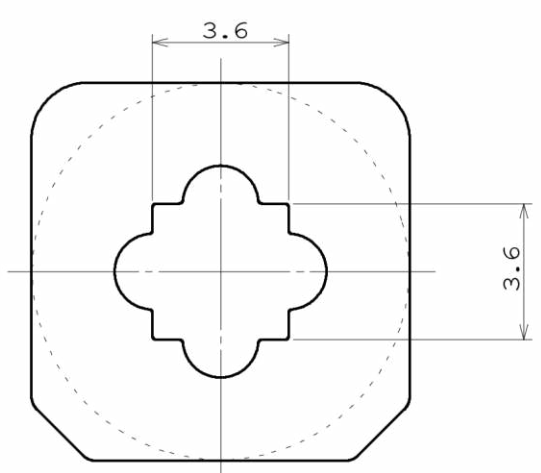


○ SPECIFICATIONS <仕様図>	SURFACE TREATMENT <表面処理>	SYM	DATE	REVISION	REVR	APPR
	HEAT TREATMENT <熱処理>	1*				
	FINISH <仕上げ>	2*				
REFERENCE <参考図>		3*				



A-A'断面  
A-A' Section



NOTE)  
・一般寸法公差：下記C公差を適用  
General dimensional tolerance: Range C



TOLERANCE UNLESS SPECIFIED				ORIGINAL DATE 2021/07/07		MATERIAL (COMPOUND) Silicone rubber		TITLE DK-10M-275			
RANGE	A	B	C	SCALE 5:1	UNIT mm	COLOR Clear		DRAWING NO. 21070707E			
LESS THAN 6	±0.2	±0.1	±0.1	SIZE A4	3RD ANGLE SYSTEM	HARDNESS A80		DESIGN	DRAWN	CHECKED	APPROVED
OVER 6 TO 20	±0.3	±0.2	±0.1			T.Motoyanagi	T.Motoyanagi	S.Endo	E.Ishiguro		
OVER 20 TO 50	±0.5	±0.3	±0.2								
OVER 50 TO 100	±1.0	±0.5	±0.3								
OVER 100 TO 300	±2.0	±1.0	±0.5								
OVER 300 TO 500	±5.0	±2.5	±1.0								
ANGLE	±2°			ASAHI RUBBER INC. 株式会社朝日ラバー							

# ◆ASA COLOR LENS

Part number : DK-10M-275 / DK-30M-275

## Initial Properties

### 1. Physical Properties

Items	Materials : ASR-A80MC
Color	Transparent
Hardness JIS Type A	A80/S±5
Total light transmittance(t=2mm)	90% and more
Refractive index (25°C) (D-line 589 nm)	1.41±0.03

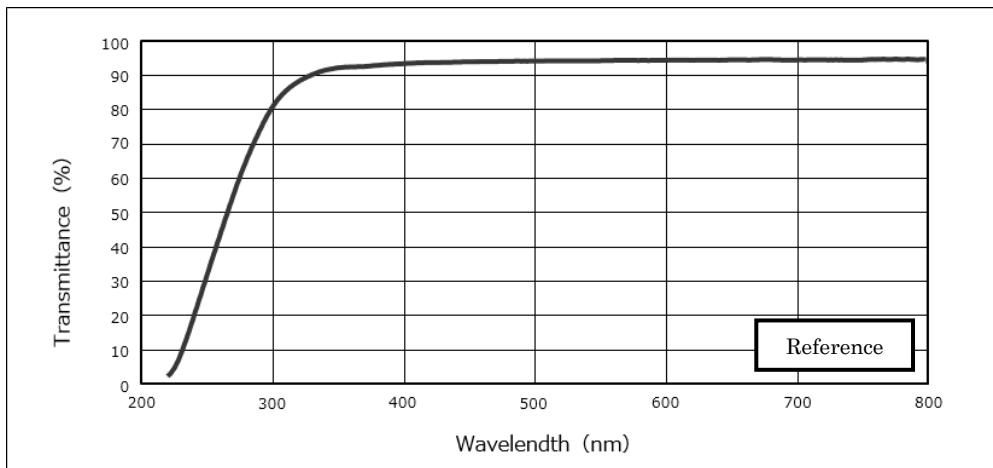


Figure1. Total light transmittance of ASR-A80MC (t=2mm)

### 2. Light Distribution Data

