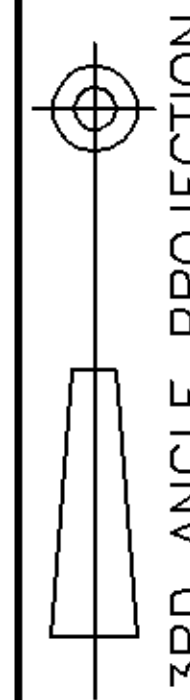


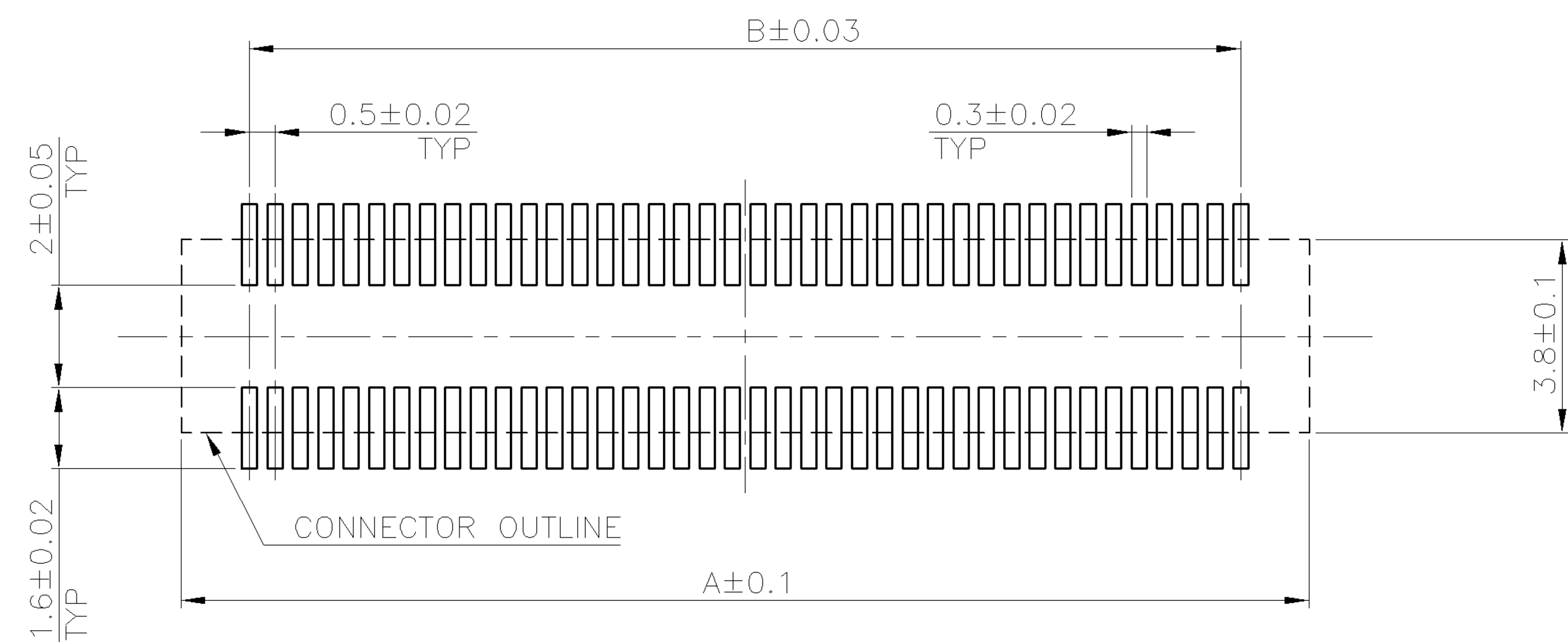
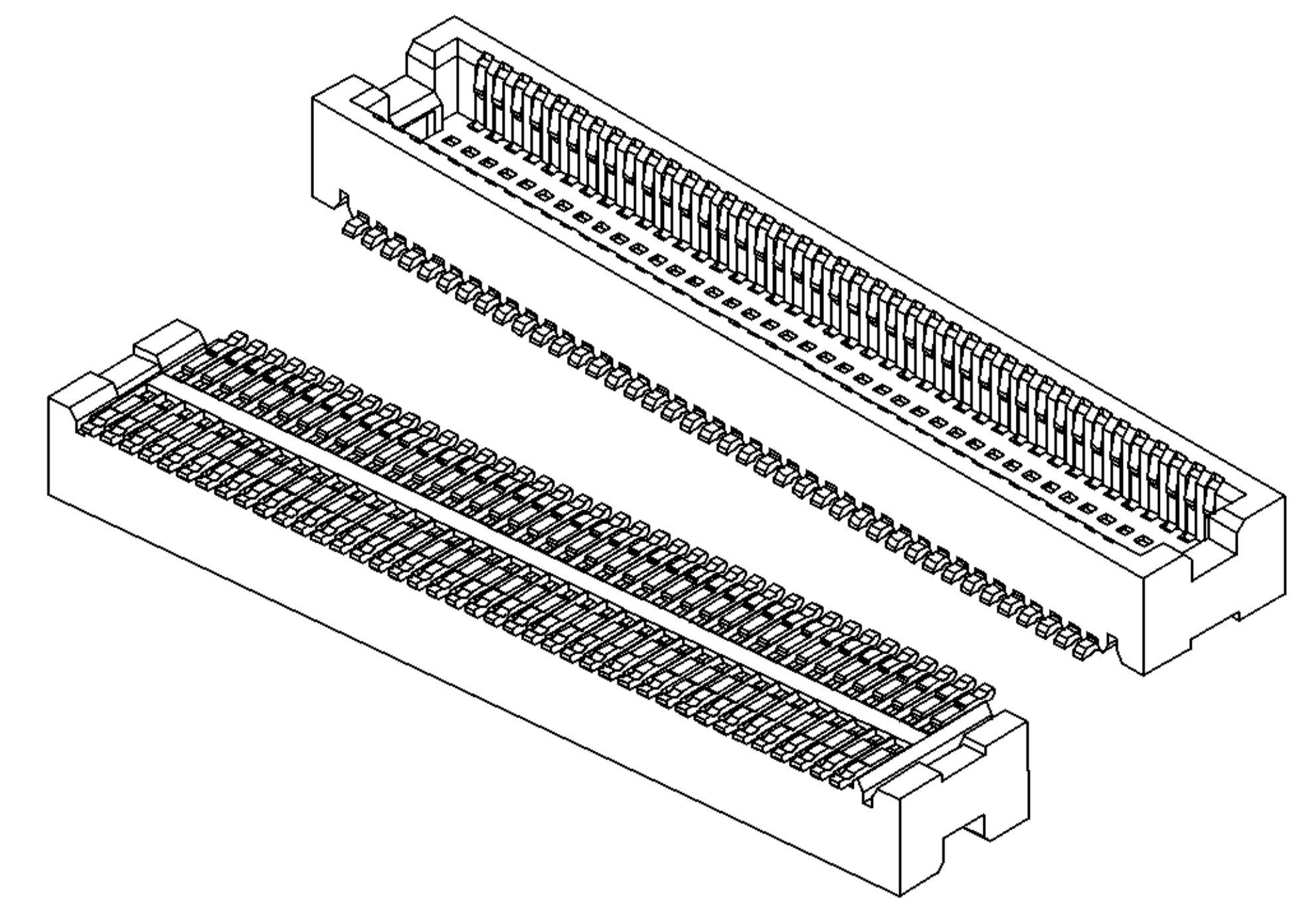
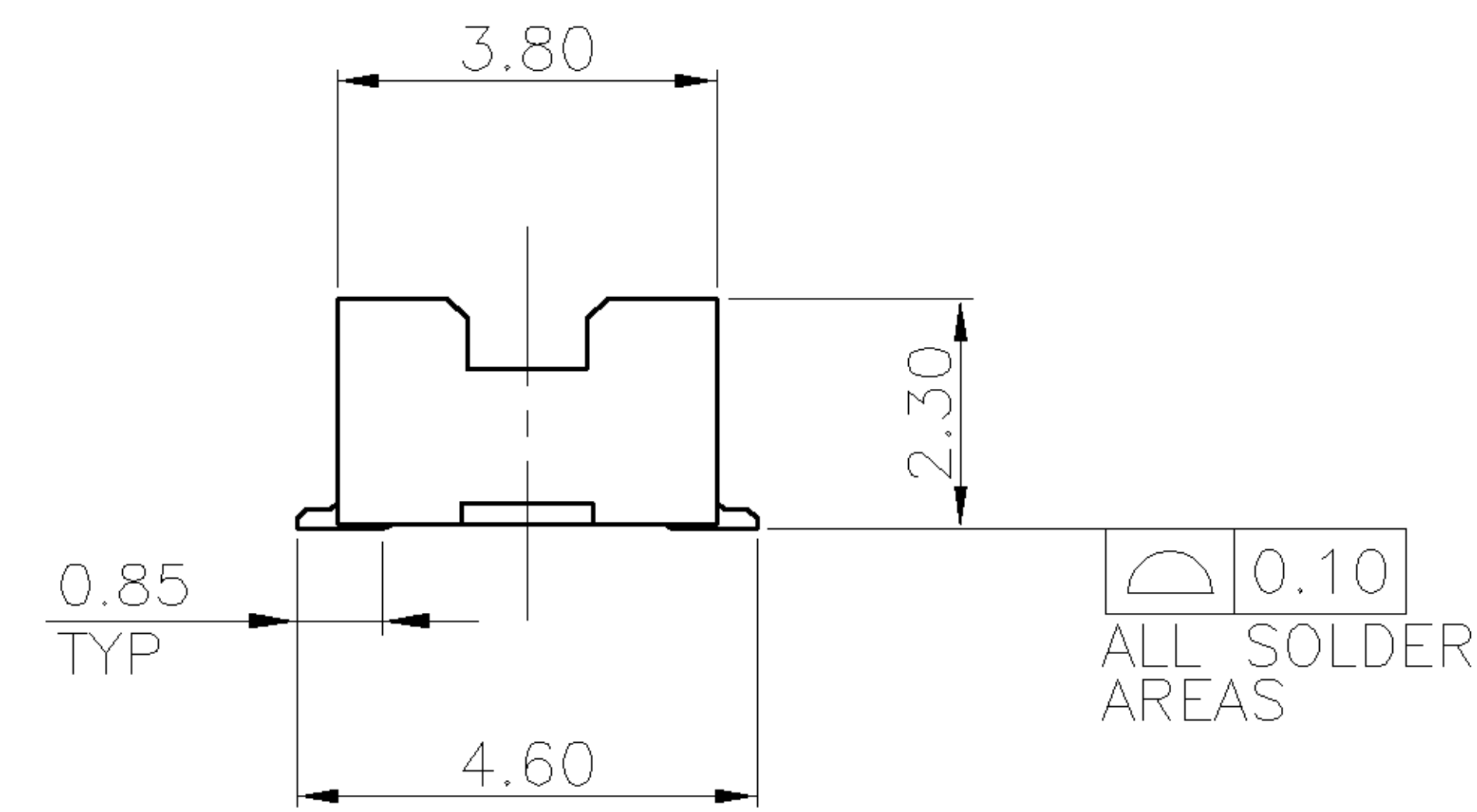
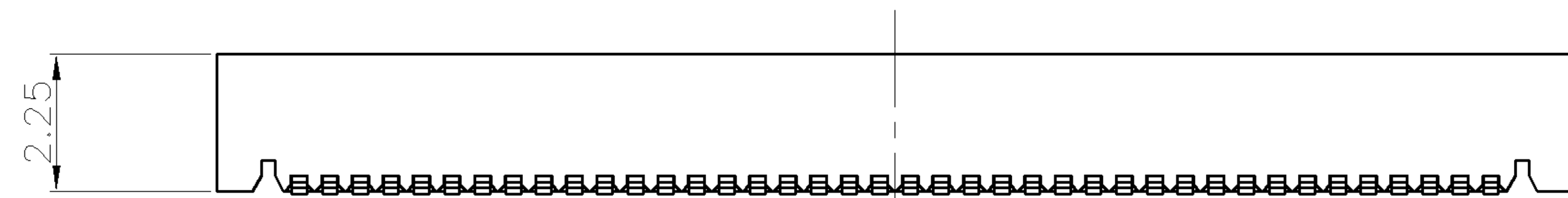
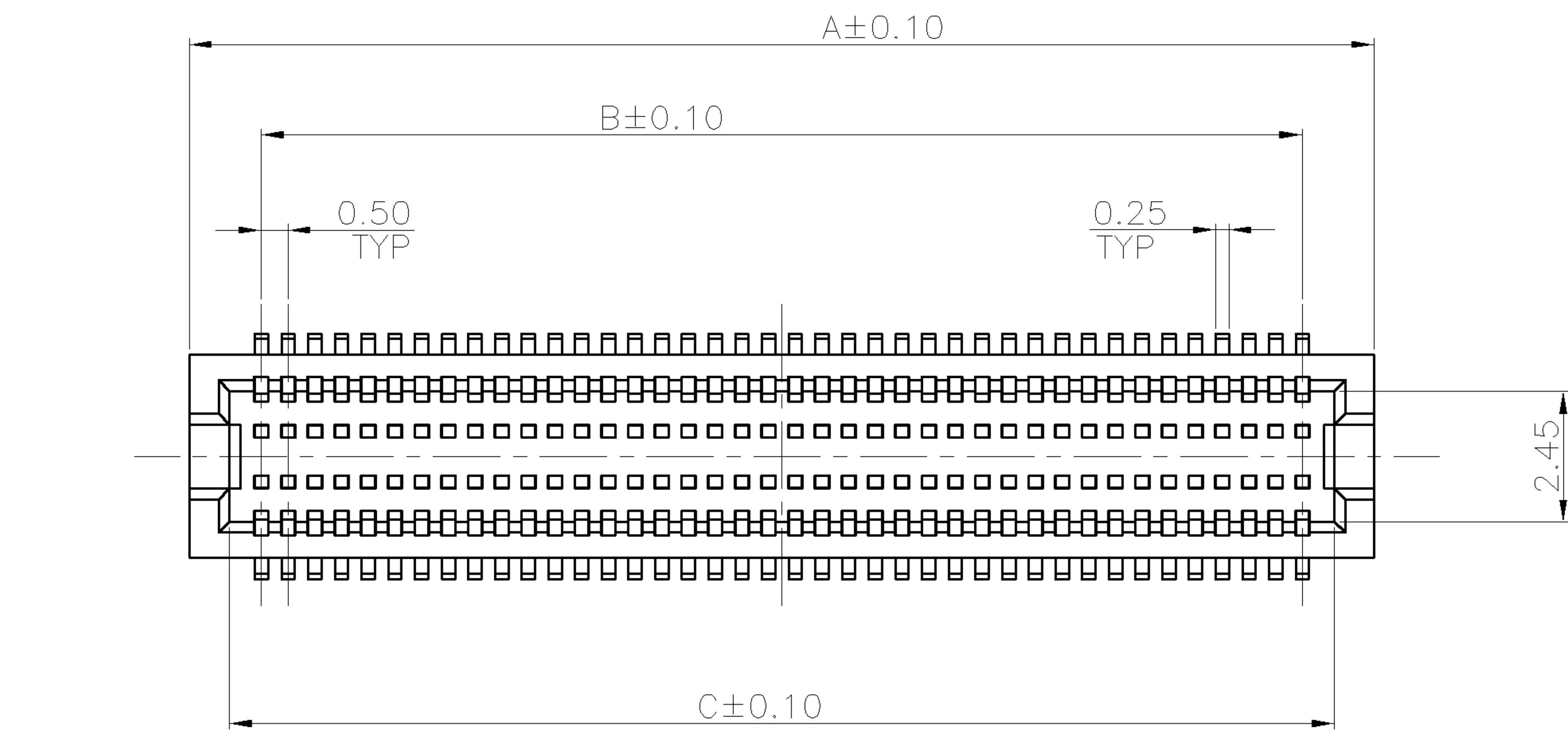
NUMBER
C-1775169



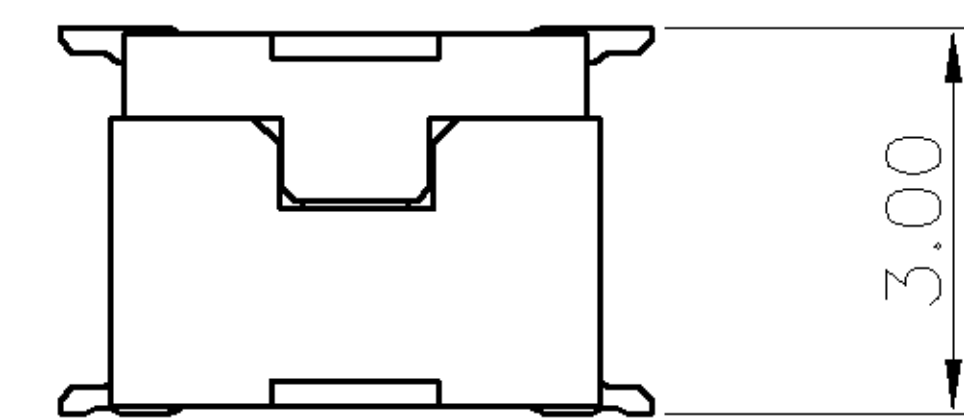
METRIC

THIS INFORMATION IS CONFIDENTIAL AND IS DISCLOSED TO YOU ON CONDITION THAT NO FURTHER DISCLOSURE IS MADE BY YOU TO OTHER THAN AMP PERSONNEL WITHOUT WRITTEN AUTHORIZATION FROM AMP (TAIWAN) LTD. DIMENSIONS IN MILLIMETERS. DO NOT SCALE PRINT.

PRINT DIST
DW



RECOMMENDED P.C. BOARD LAYOUT



STACKING HEIGHT

NOTE:

- MATERIAL:
HOUSING: THERMOPLASTIC WITH 30% G/F, UL 94V-0, BLACK COLOR.
CONTACTS: PHOSPHOR BRONZE.
- FINISH:
CONTACTS: 5μ" MIN. GOLD PLATED OVER, 50μ" MIN. NICKEL ON ENTIRE CONTACT.
- REFLOW SOLDER CAPABLE TO 260°C AS PER TYCO SPEC. 109-201, CONDITION B.
- NO TYCO LOGO AND DATE CODE ON THE PRODUCT.
- RECEPTACLE PART NUMBERS (BASE NO.#): 1775187 THRU 1775190.

	0.259g	15.70	14.50	17.20	60	6-1775169-0
	0.216g	13.20	12.00	14.70	50	5-1775169-0
	0.173g	10.70	9.50	12.20	40	4-1775169-0
	0.136g	8.20	7.00	9.70	30	3-1775169-0
	0.090g	5.70	4.50	7.20	20	2-1775169-0
WEIGHT	DIMENSIONS			NO. OF CONTACTS	PART NUMBER	

TOLERANCES UNLESS OTHERWISE SPECIFIED: 0 PLC ±0.50 1 PLC ±0.38 2 PLC ±0.25 3 PLC ±0.15 ANGLES ±5°		DWN A. WU 09-SEP-2005	TYCO HOLDINGS (BERMUDA) VII LTD. TAIWAN BRANCH Electronics NAME				
MATERIAL SEE NOTE		CHK S. HOU 09-SEP-2005	BOARD TO BOARD CONNECTOR, 0.5 MM PITCH, FINE-MATE, PLUG, 3H				
FINISH SEE NOTE		APVD W.J. KE 09-SEP-2005	QUALIFICATION TEST REPORT 501-57669	LOC DW	SIZE A ₃	DRAWING NO C-1775169	REV O
O FIRST RELEASED -- AW SH 09SEP 2005		WEIGHT SEE TABLE		SCALE --		SHEET 1 OF 2	
LTR	REVISION RECORD	ECN	DWN CHK	DATE			

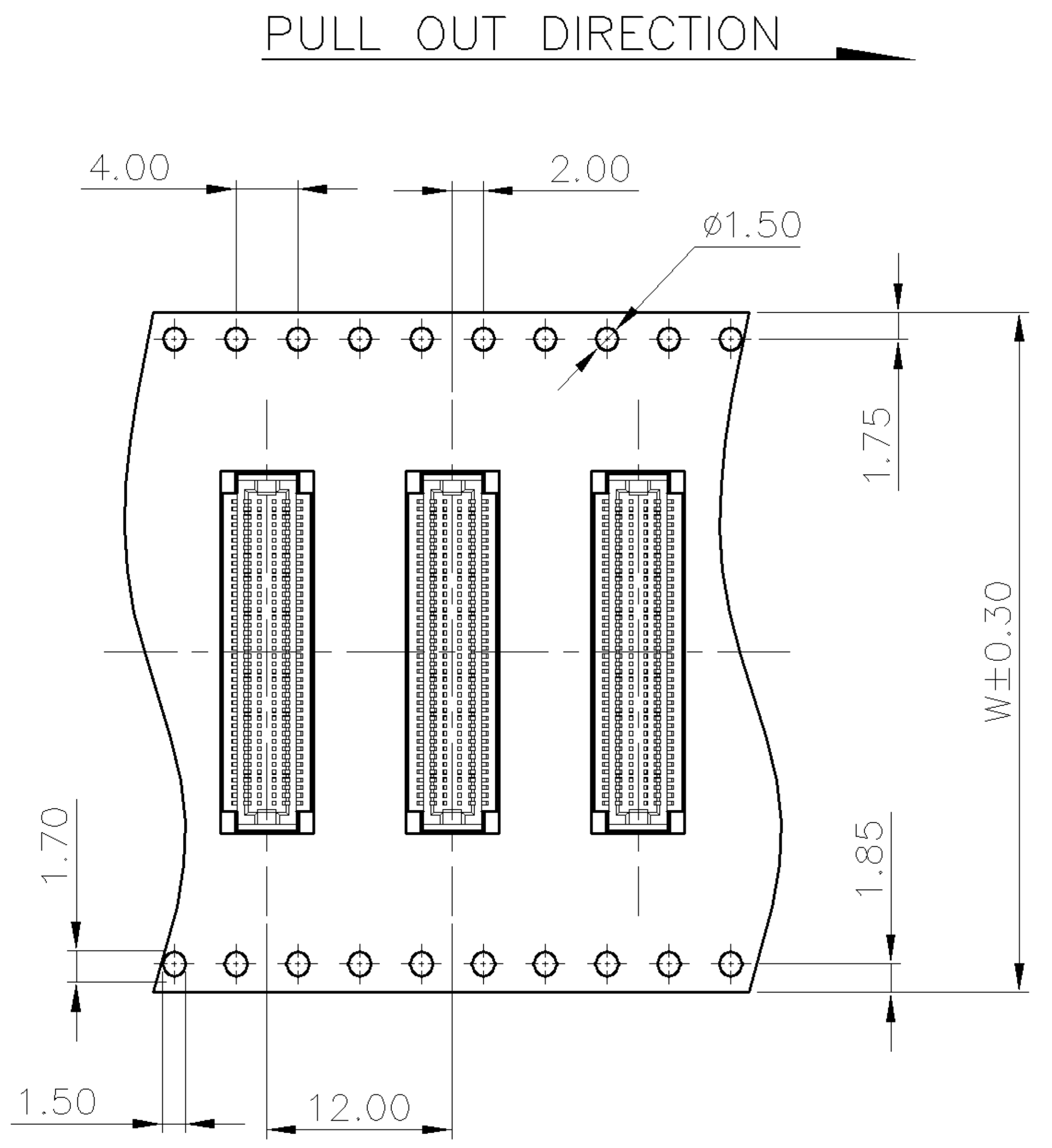
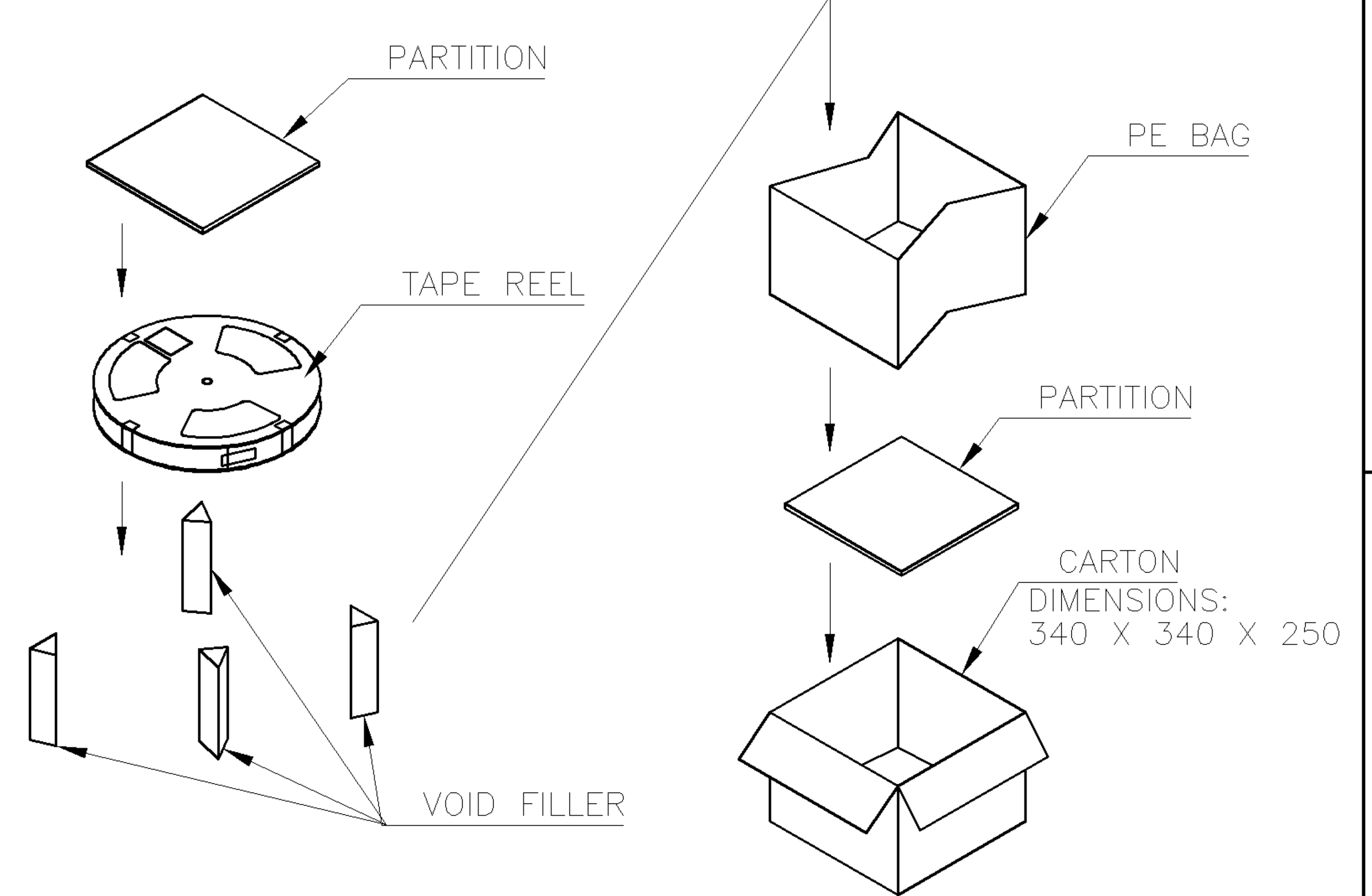
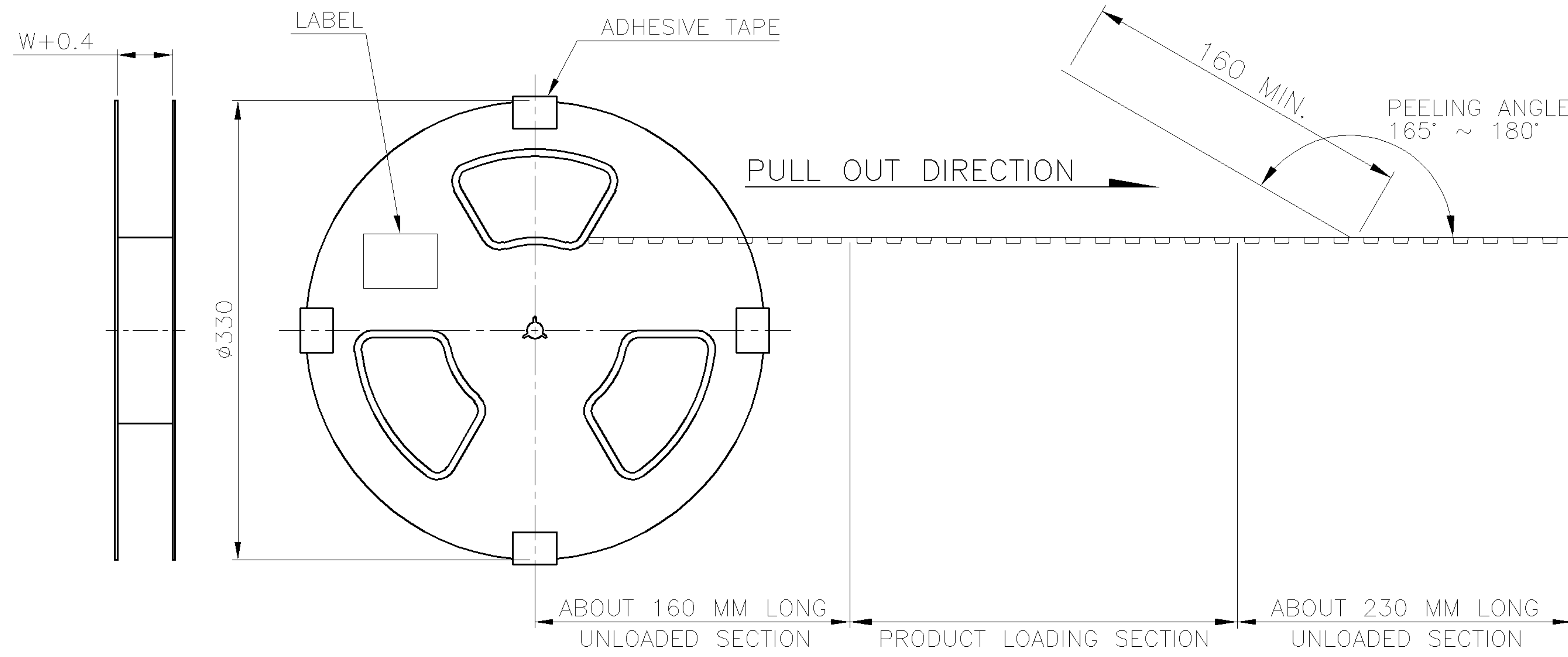
NUMBER
C-1775169

3RD ANGLE PROJECTION

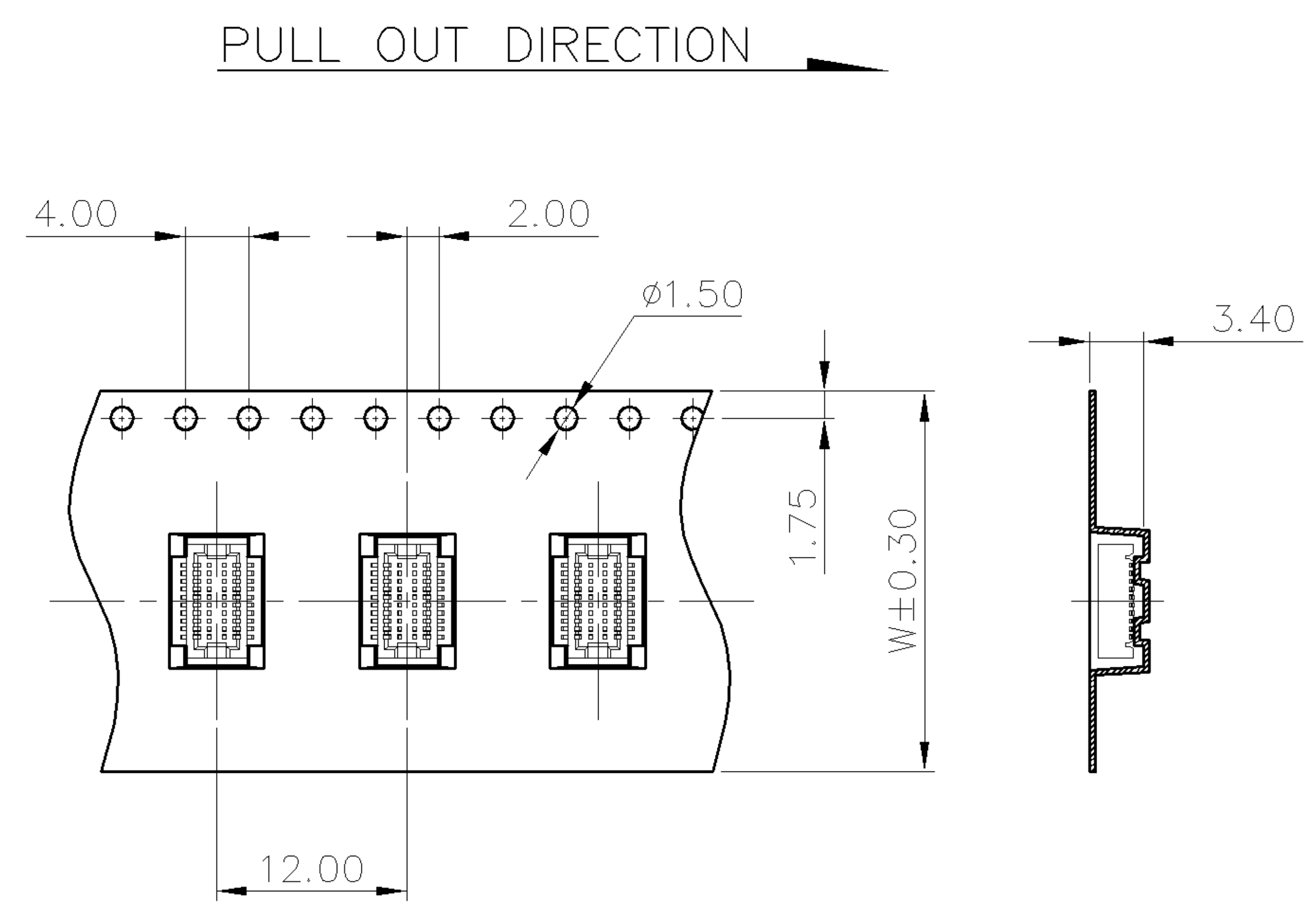
METRIC

THIS INFORMATION IS CONFIDENTIAL AND IS DISCLOSED TO YOU ON CONDITION THAT NO FURTHER DISCLOSURE IS MADE BY YOU TO OTHER THAN AMP PERSONNEL WITHOUT WRITTEN AUTHORIZATION FROM AMP (TAIWAN) LTD. DIMENSIONS IN MILLIMETERS. DO NOT SCALE PRINT.

PRINT DIST
DW



CARRIER FOR 50 THRU 60 POSITION



CARRIER FOR 20 THRU 40 POSITION

1000	6	6000	32	5.55	1.55	60
				5.30	1.35	50
	7	7000	24	5.38	1.21	40
				5.32	1.30	30
			5.00	0.63	20	
PCS/REEL	REELS/CARTON	QUANTITY	DIM W	G/W (KG)	N/W (KG)	NO. OF POS.

TOLERANCES UNLESS OTHERWISE SPECIFIED: 0 PLC ±- 1 PLC ±- 2 PLC ±- 3 PLC ±- ANGLES ±-		DWN	A. WU 09-SEP-2005	tyco TYCO HOLDINGS (BERMUDA) Electronics VII LTD. TAIWAN BRANCH			
MATERIAL		CHK	S. HOU 09-SEP-2005				
FINISH		APVD	W.J. KE 09-SEP-2005	BOARD TO BOARD CONNECTOR, 0.5 MM PITCH, FINE-MATE, PLUG, 3H			
		PRODUCT SPEC					
		APPLICATION SPEC		LOC DW	SIZE A₃	DRAWING NO C-1775169	REV O
		WEIGHT		SCALE		SHEET 2 OF 2	

SEE SHEET 1.	ECN	DWN	CHK	DATE
LTR	REVISION RECORD			