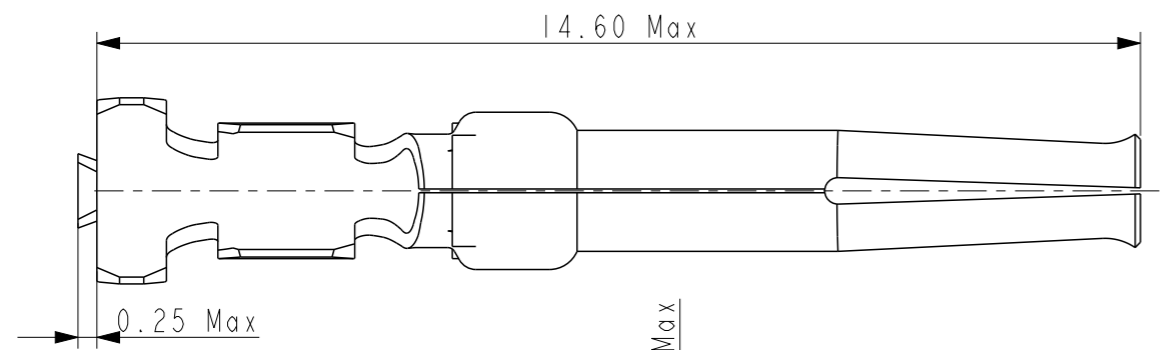
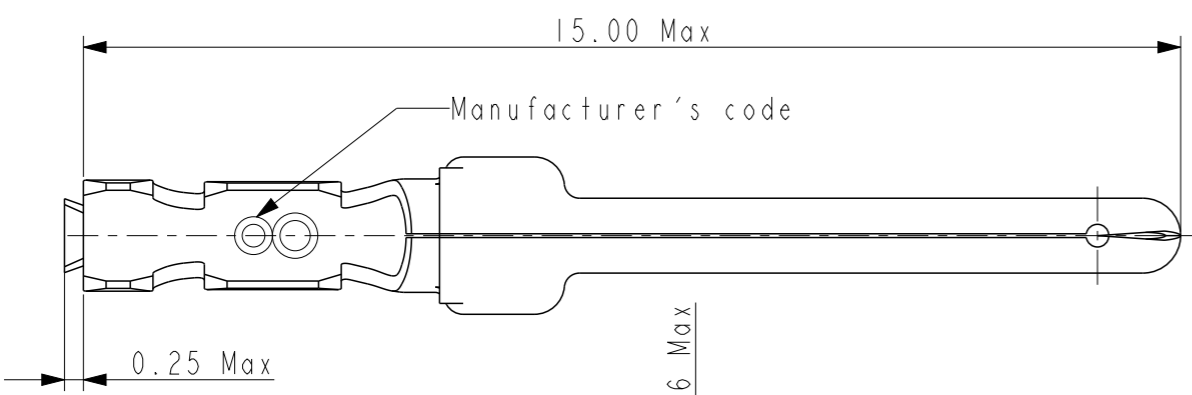
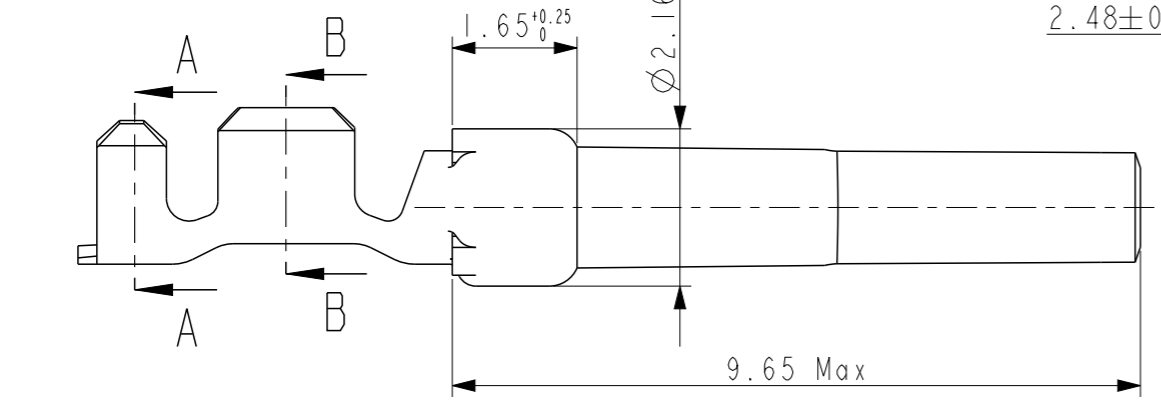
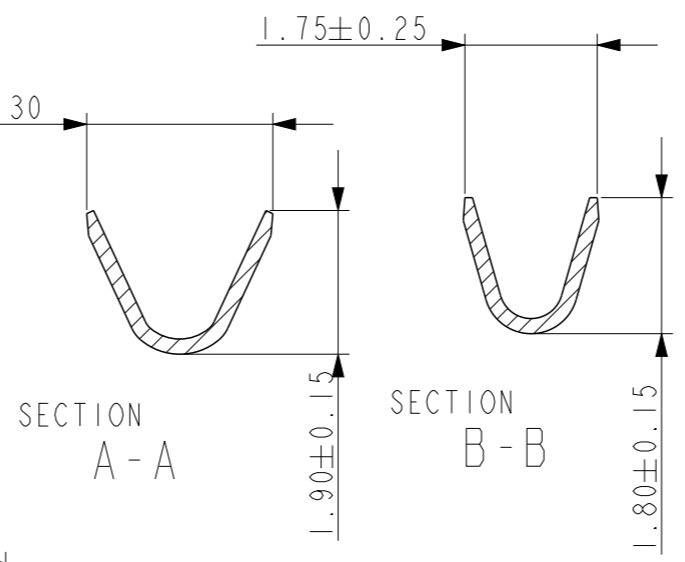


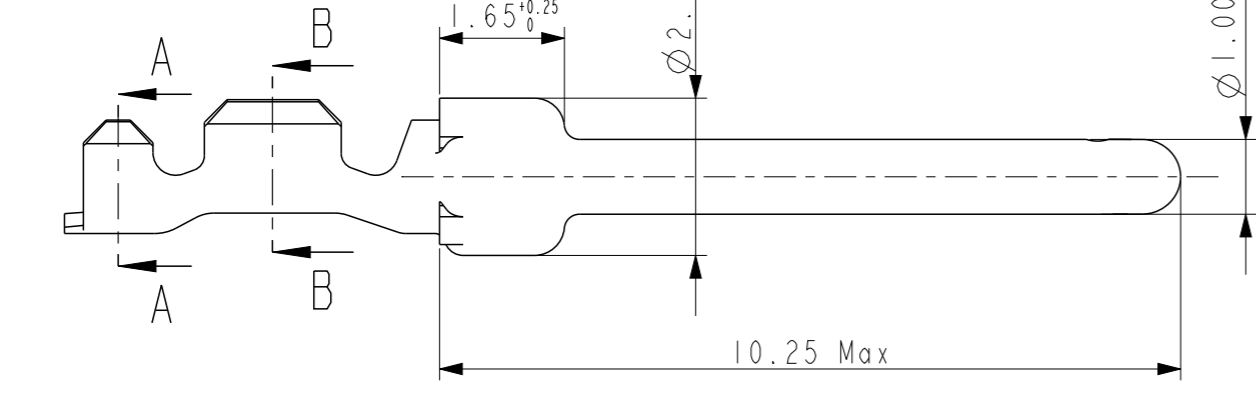
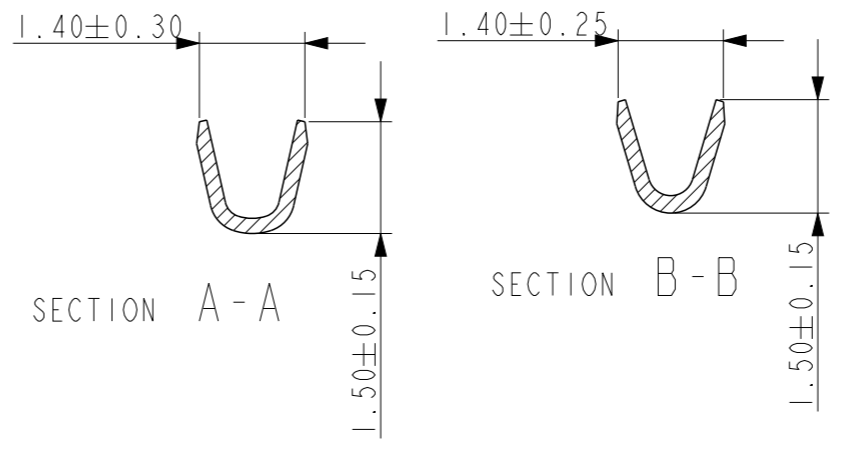
- NOTES
- 1- Material : Phosphor bronze, thickness 0.20
 - 2 -Finish on contact area : termination 064:gold flash
 termination 065:076μ Au / GXT
 termination 066:1.25μ Au / GXT
 termination 067:0,4μ Au / GXT
 finish on termination : Tin over Nickel
 - 3 -Wire range :20 to 28 AWG(see ref sheet 1/2)
 - 4 -Max outer dia of wire insulator:
 -1.52 mm max for contact #20-24
 -1.02 mm max for contact #24-28
 - 5 -Current carrying capacity per contact:
 5 Amps max when crimped to #20 AWG
 5 Amps max when crimped to #22 AWG
 3 Amps max when crimped to #24 AWG
 2 Amps max when crimped to #26 AWG
 1 Amps max when crimped to #28 AWG
 - 6 -After 5 insertions into connector, contact retention must be 5 pounds axial load min
 - 7 -When contact is crimped to 20 AWG, the insulation support crimped height must be 1.78 mm max to ensure a proper insertion into housing.
 - 8 -Packaging : 500 Contacts per box



CROSS SECTION FOR CT #20-24



CROSS SECTION FOR CT #24-28



BOX OF 500 CONTACTS		
GAUGE	FEMALE CONTACTS	PIN CONTACTS
# 24-28	8656351064LF	8656350064LF
# 20-24	8656353064LF	8656352064LF
# 24-28	8656351065LF	8656350065LF
# 20-24	8656353065LF	8656352065LF
# 24-28	8656351067LF	8656350067LF
# 20-24	8656353067LF	8656352067LF
# 24-28	8656351066LF	-

Amphenol FCI

© 2016 AFCI

NOTE : ROHS INFORMATIONS
 The LF products meet European union directives and other country regulations as described in GS-47-0004
 Terminations plating spec : 1.3um Nickel min + 1.3um Sn min
 Packaging Spec : see GS-14-920

spec ref	-	dr	P-Mathew Nebu	2011/05/17	projection	MM	size	A3	scale	10/1
tolerance std	ISO 406 ISO 1101	eng	Paul Mithun	2019/03/18			ecn no	ELX-I-32091-1		
surface	linear	chr	-	apppr			K-Paul Biju	2019/03/19	product family	-
	angular	Amphenol FCI		CRIMP PIN & SOCKET 20-28AWG, 500 Box Qty		dwg no	C01-8656-1506		rev	H
ISO 1302	0.X ±0.3 0.XX ±0.1 0.XXX ±0.05	cat. no.	-	Product - Customer Drw	sheet 1 of 1					