

6 5 4 3 2 1

E

D

C

B

A

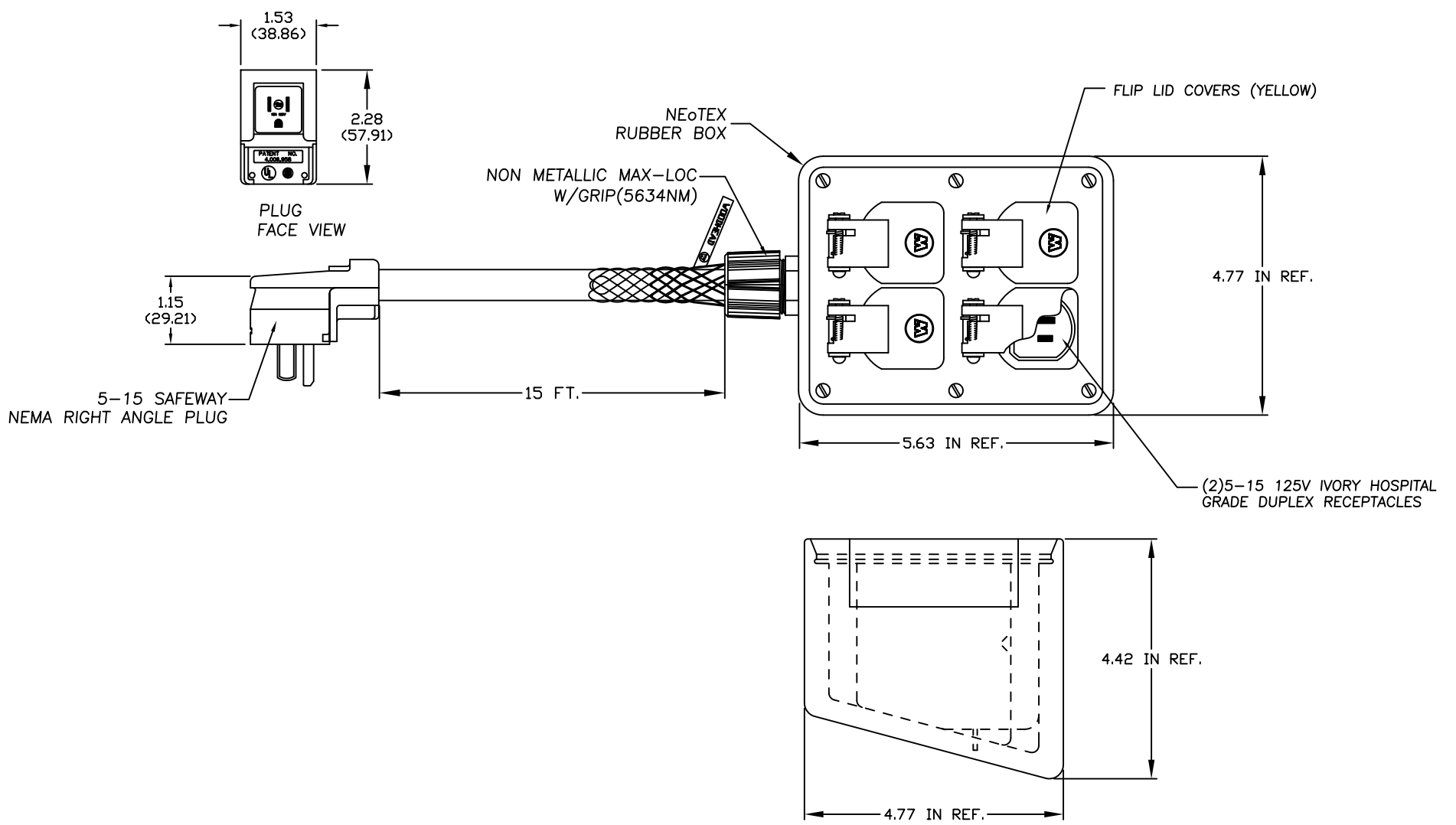
E

D

C

B

A



RELEASE DRAWING EC NO: WNA2011-0270 DRWN: TVICKERS 2010/08/13 CHKD: DW APPR: DTITUS 2010/12/06	DESCRIPTION REV	QUALITY SYMBOLS ▽=0 ∇=0	GENERAL TOLERANCES (UNLESS SPECIFIED)		DIMENSION STYLE IN/(MM)		SCALE NTS	DESIGN UNITS INCH	THIRD ANGLE PROJECTION		
			4 PLACES ±--- ±--- 3 PLACES ±--- ±.005 2 PLACES ±0.13 ±.010 1 PLACE ±0.25 ±.020	DRAWN BY DATE TVICKERS 2010/08/13 CHECKED BY DATE DW 2010/08/13 APPROVED BY DATE DTITUS 2010/12/06	TITLE 3330R ANGLED BOX W/15' #12/3 ANGLE PLUG & MESH		MOLEX INCORPORATED	DOCUMENT NO. SD-130135-039	SHEET NO. 1 OF 1		
			ANGULAR ±.5°	MATERIAL NO. 1301350380		DRAFT WHERE APPLICABLE MUST REMAIN WITHIN DIMENSIONS			THIS DRAWING CONTAINS INFORMATION THAT IS PROPRIETARY TO MOLEX INCORPORATED AND SHOULD NOT BE USED WITHOUT WRITTEN PERMISSION		
		A			SIZE A						
		DRAFT WHERE APPLICABLE MUST REMAIN WITHIN DIMENSIONS									

6 5 4 3 2 1