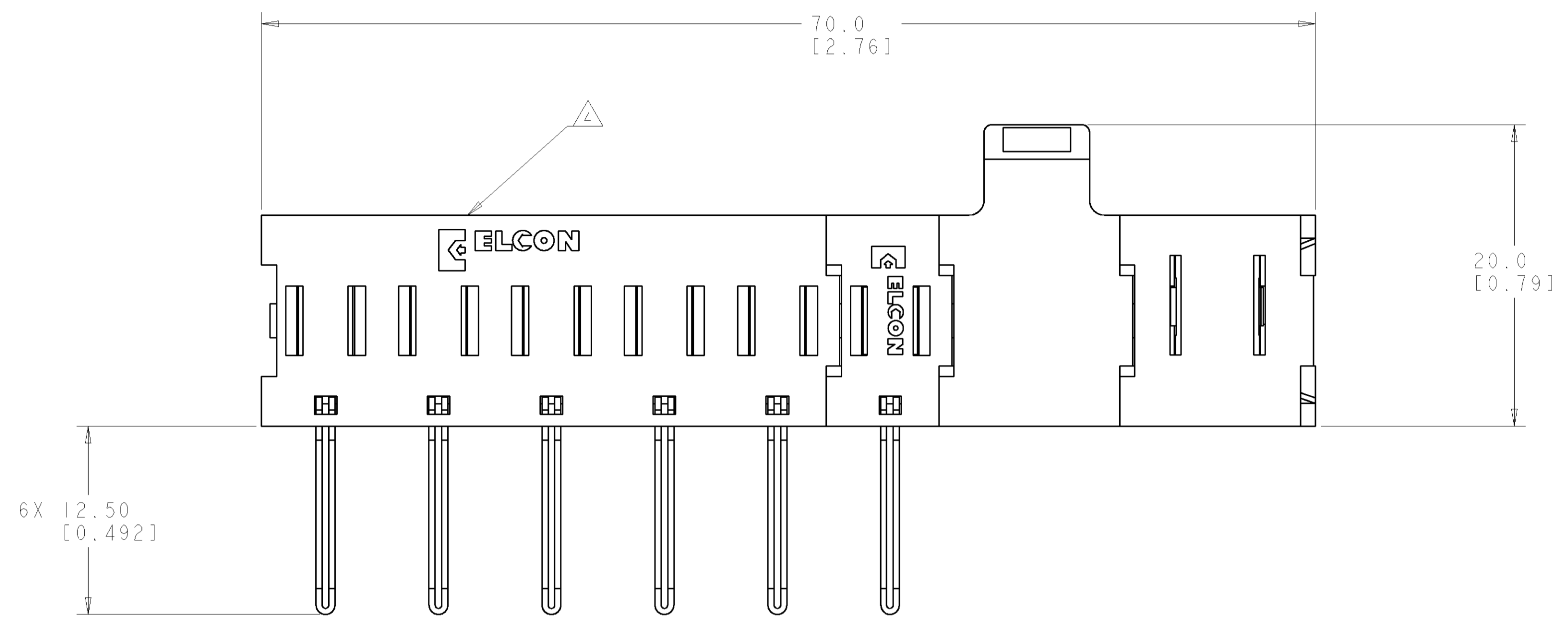


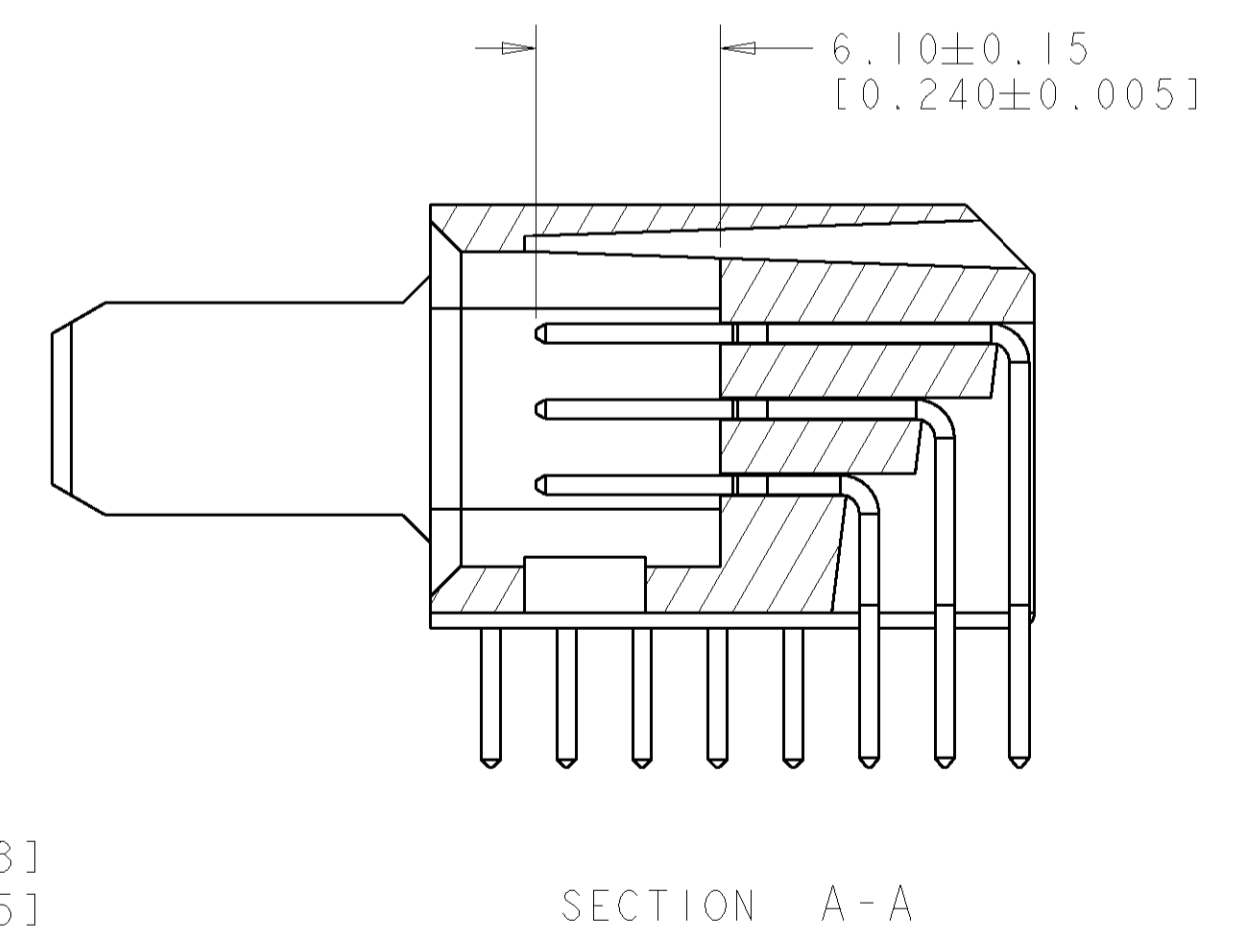
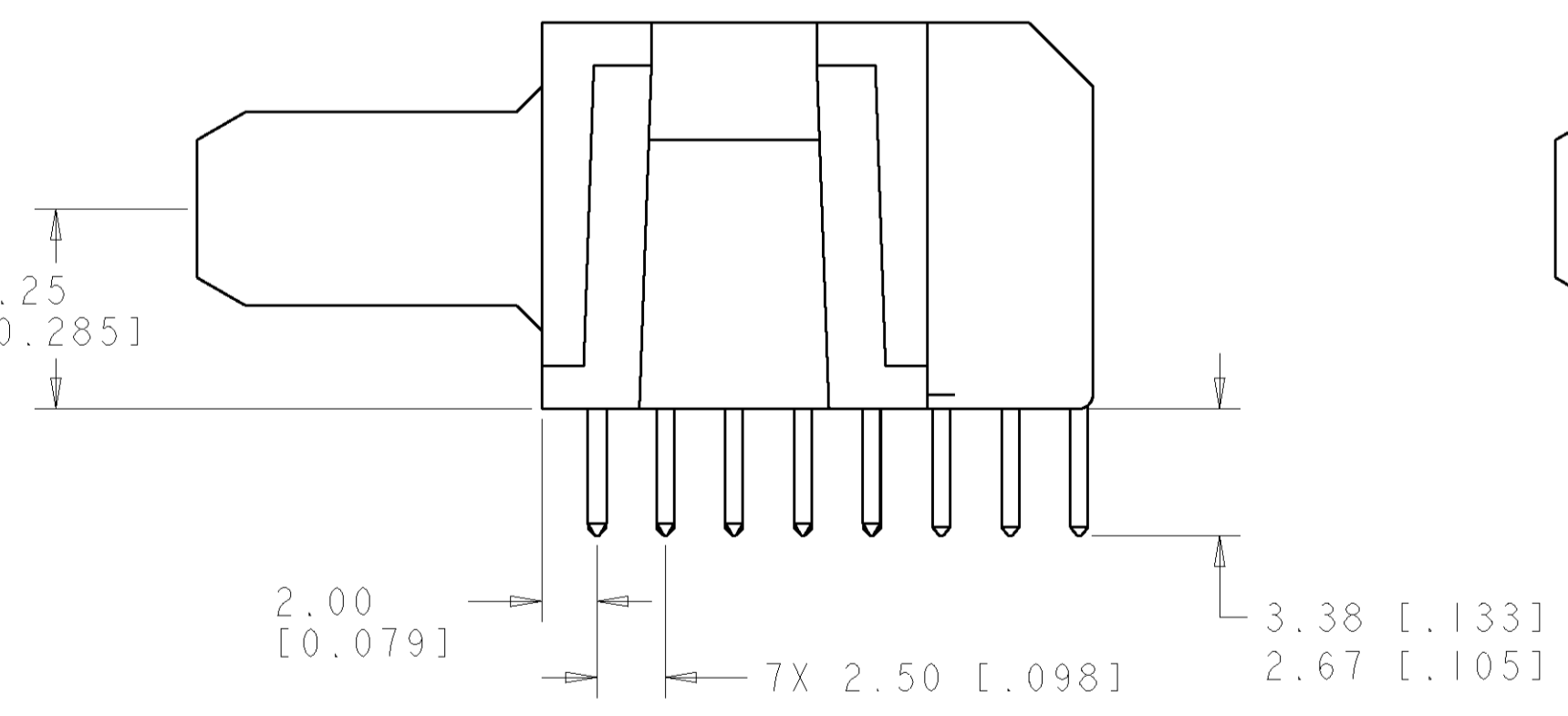
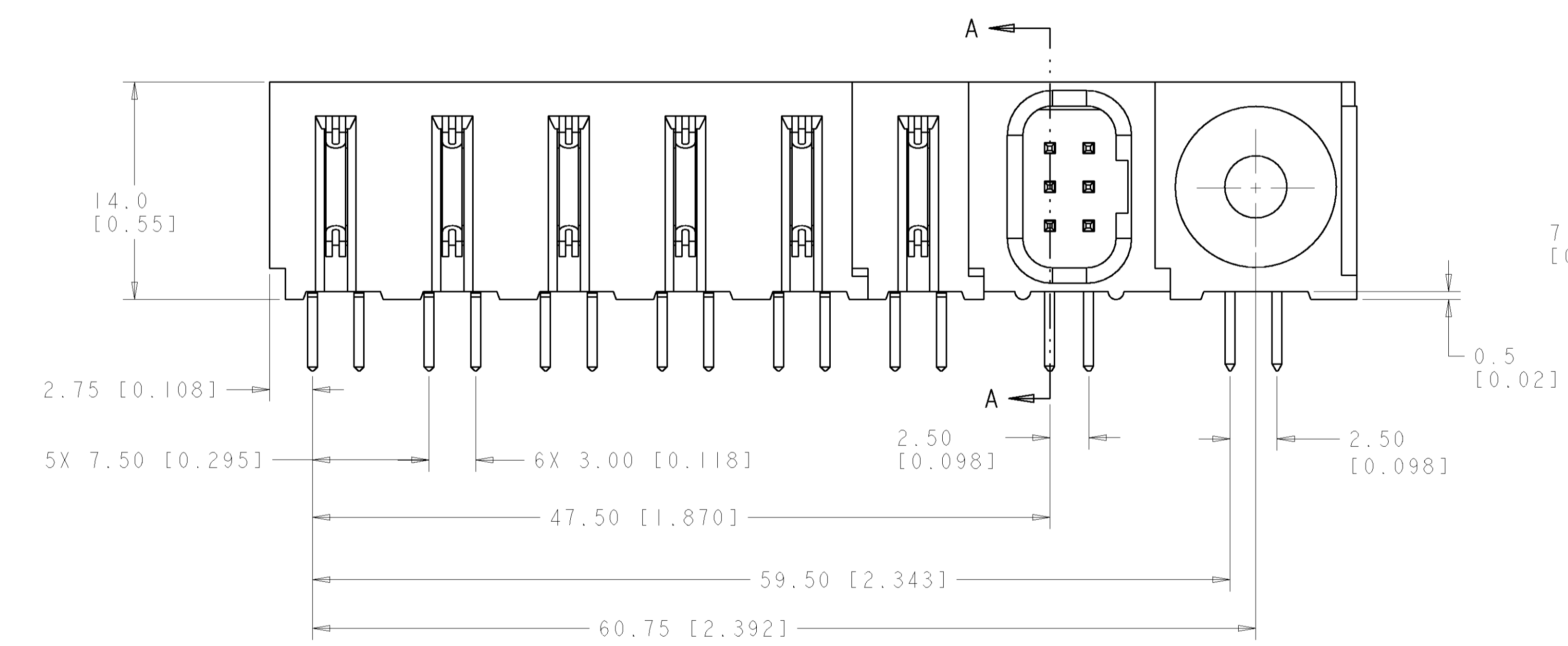
LOC		DIST		REVISIONS			
GP	00	P	LTR	DESCRIPTION	DATE	DWN	APVD
		A		NEW RELEASE	12FEB2007	RG	PD



- PART NUMBER CHANGES AND OR DESIGN CHANGES AFFECTING ITEM INTERCHANGEABILITY REQUIRE PRIOR TYCO APPROVAL AND AUTHORIZATION BY REVISION TO THIS DRAWING.
- MATERIAL:
  - INSULATORS - THERMOPLASTIC, GLASS REINFORCED, COLOR: BLACK, UL94V-0 FLAMMABILITY RATED.
  - SIGNAL CONTACTS: PHOSPHOR BRONZE ALLOY
  - POWER CONTACTS - PHOSPHOR BRONZE ALLOY, COPPER ALLOY
  - CROWN BANDS: BERYLLIUM COPPER ALLOY
- FINISH:
  - CONTACTS - GOLD PLATE .76µm MIN. THK., OVER NICKEL
  - 1.27µm MIN. THK.
  - SOLDER TAILS TIN 3.05µm MIN. THK. OVER NICKEL
  - 1.27µm MIN. THK.

ITEMS PROVIDED TO THIS SPECIFICATION TO BE PERMANENTLY IDENTIFIED PER THE FOLLOWING IDENTIFIER LABEL

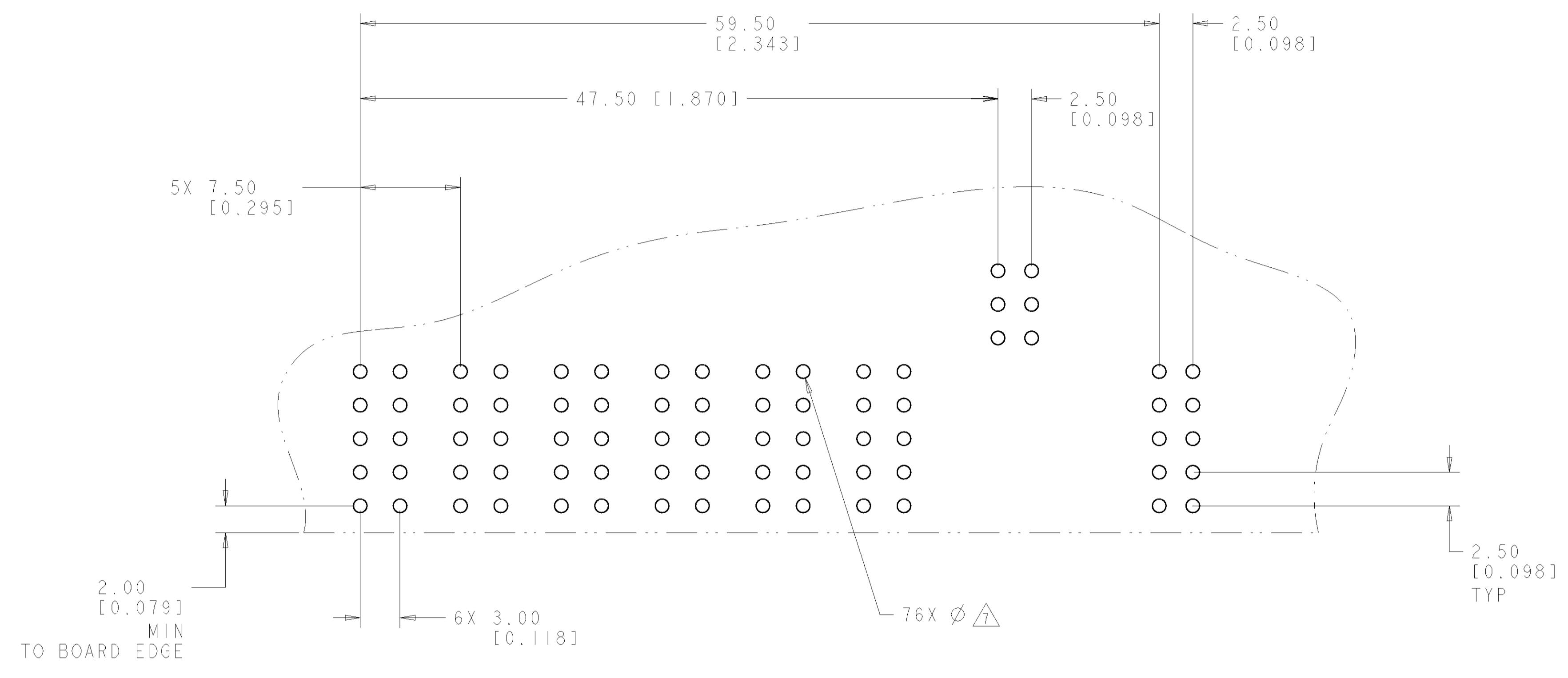
YEAR WEEK  
 TYCO PART NO. DATE CODE (e.g. 0106)  
 XXXXXXXX-X XXXX



**ELCON** **FLATPAQ**

DIMENSIONS: mm [INCHES]		TOLERANCES UNLESS OTHERWISE SPECIFIED:		DWN: R. GRZYBOWSKI 9FEB07		ELEC: P. DAMATO 9FEB07		APVD: S. FLICKINGER 9FEB07		NAME: S. FLICKINGER		PRODUCT SPEC: -		APPLICATION SPEC: -		WEIGHT: -		CUSTOMER DRAWING: -	
0 PLC	±	1 PLC	±.5 [.020]	TYCO		Tyco Electronics		Harrisburg, PA 17105-3608		PART NUMBER: 6646906-1		DESCRIPTION: AS SHOWN		SCALE: 4:1		SHEET: 1 OF 3		REV: A	
2 PLC	±.25 [.010]	3 PLC	±	PIN CONNECTOR ASSEMBLY		RIGHT ANGLE		SOLDER TAILS		SIZE: A100779		CAGE CODE: 6646906		RESTRICTED TO: -					

LOC	DIST	REVISIONS			
P	LTR	DESCRIPTION	DATE	DNW	APVD
-	-	SEE SHEET 1	-	-	-

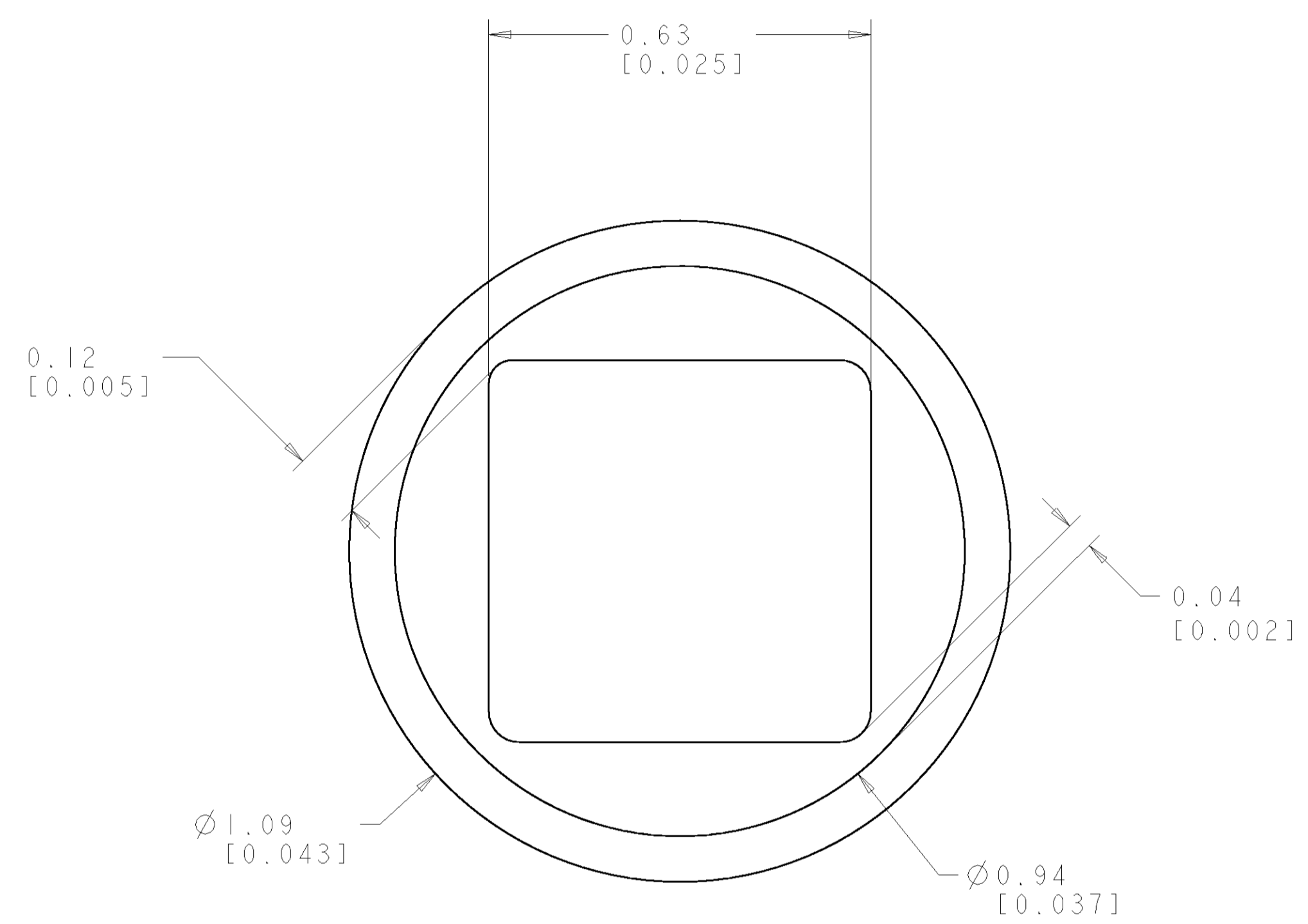
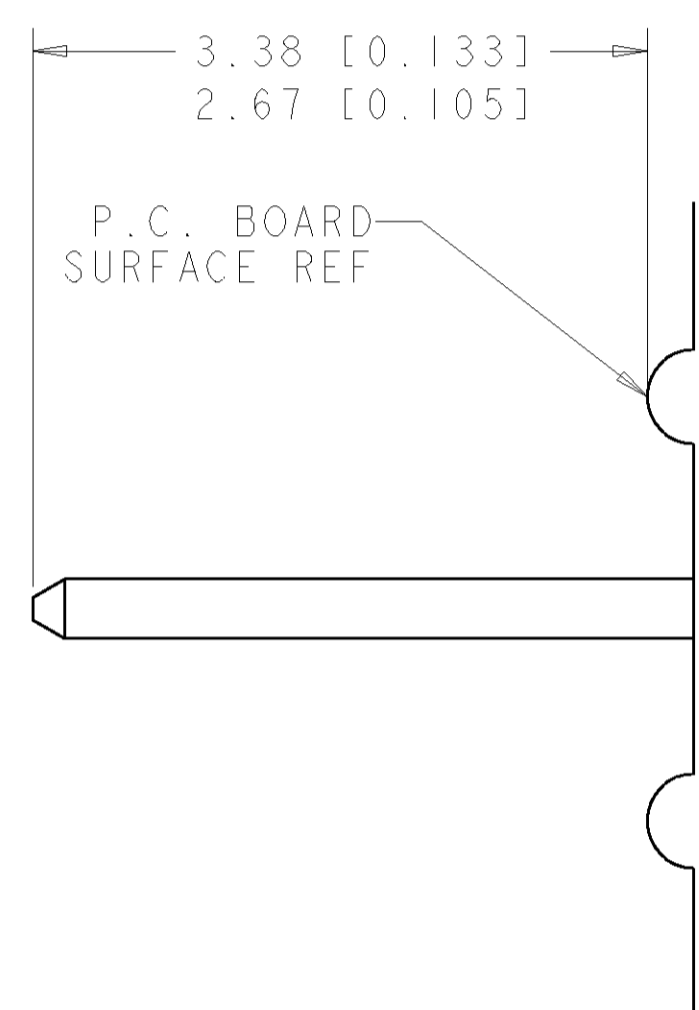


PRINTED CIRCUIT LAYOUT  
 COMPONENT SIDE

CONNECTOR	CATALOG MODULE #	QTY	SIZE NO.	CONTACT QTY	MATING PIN	MAX. CURRENT (PER CONTACT)	CONTACT SPACING	VOLTAGE RATING
PIN	FP314	1	22	6	.64 [0.025] SO.	3 amps	2.50 [0.0984]	125
	FPI52	6	8	12	1.25 X 7.00 [0.049 X .276]	35 amps	7.50 [0.2953]	250
	FP516	1	RIGHT ANGLE GUIDE SOCKET					

DIMENSIONS: mm [INCHES] TOLERANCES UNLESS OTHERWISE SPECIFIED: 0 PLC ±.5 [0.020] 1 PLC ±.5 [0.020] 2 PLC ±.25 [0.010] 3 PLC ±.25 [0.010] 4 PLC ±.25 [0.010] ANGLES ±.5		DWN R. GRZYBOWSKI 9FEB07 ENR P. DAMATO 9FEB07 APVD S. FLICKINGER 9FEB07	<b>tyco</b> Tyco Electronics Harrisburg, PA 17105-3608
MATERIAL -	FINISH -	PRODUCT SPEC - APPLICATION SPEC - WEIGHT - CUSTOMER DRAWING	NAME PIN CONNECTOR ASSEMBLY RIGHT ANGLE SOLDER TAILS SIZE CAGE CODE DRAWING NO. RESTRICTED TO A100779C-6646906 SCALE 4:1 SHEET 2 OF 3 REV A

LOC	DIST	REVISIONS					
		P.	LTR	DESCRIPTION	DATE	DWN	APVD
GP	00	-	-	SEE SHEET 1	-	-	-



6. SOLDER PIN DETAIL  
 SCALE 10 : 1

**△ SOLDER TERMINATION AREA**  
 SCALE 40:1  
 RECOMMENDED PRINTED CIRCUIT HOLE  
 FINISHED HOLE: Ø1.02 [0.040] ± .08 [0.003]  
 DRILLED HOLE: Ø1.15 [0.0453] ± .013 [0.0005]  
 COPPER PLATE: .025 [0.0010] MIN. (PER SURFACE)  
 TIN PLATE: .008 [0.0003] MIN. (PER SURFACE)

<small>THIS DRAWING IS UNPUBLISHED. RELEASED FOR PUBLICATION BY TYCO ELECTRONICS CORPORATION. ALL RIGHTS RESERVED.</small>		DWN R. GRZYBOWSKI 9FEB07 CHK P. DAMATO 9FEB07 APVD S. FLICKINGER 9FEB07	<b>tyco</b> Tyco Electronics Harrisburg, PA 17105-3608
DIMENSIONS: mm [INCHES]	TOLERANCES UNLESS OTHERWISE SPECIFIED: 0 PLC ± 1 PLC ±.5 [0.020] 2 PLC ±.25 [0.010] 3 PLC ± 4 PLC ± ANGLES ±.5 FINISH -	NAME PRODUCT SPEC APPLICATION SPEC WEIGHT CUSTOMER DRAWING	PIN CONNECTOR ASSEMBLY RIGHT ANGLE SOLDER TAILS SIZE CAGE CODE DRAWING NO A100779C=6646906 SCALE 4:1 SHEET 3 OF 3 REV A