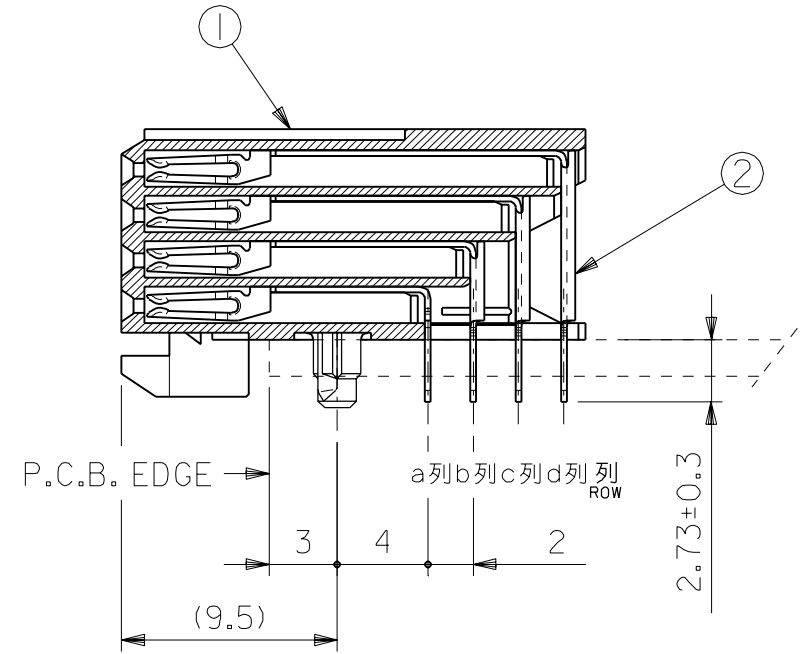
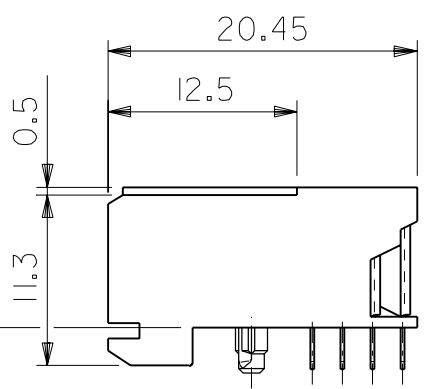
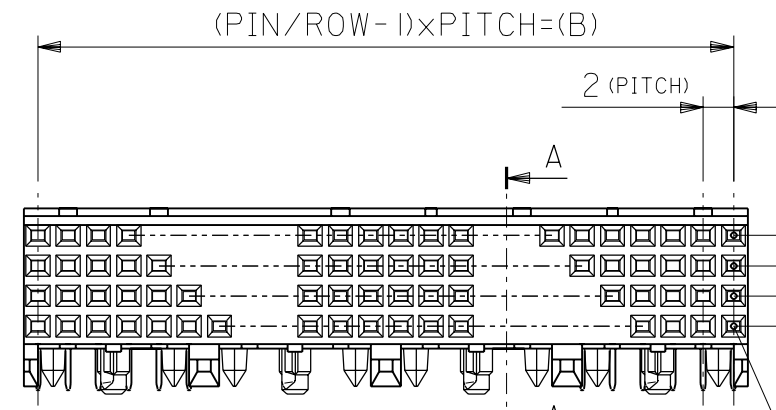
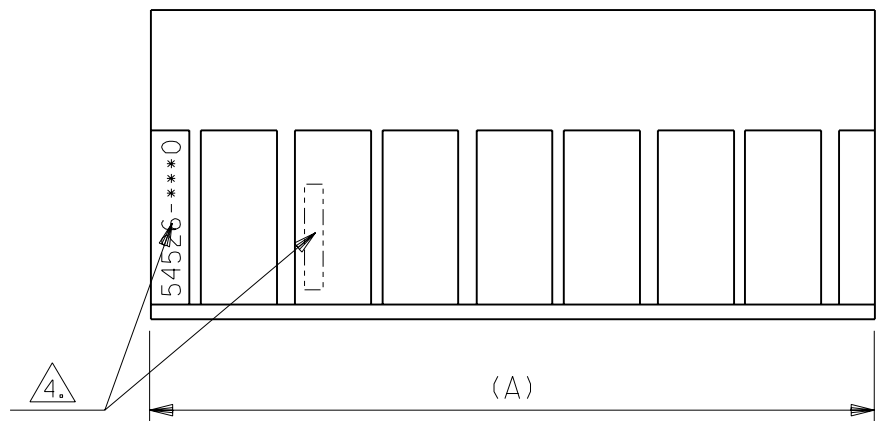
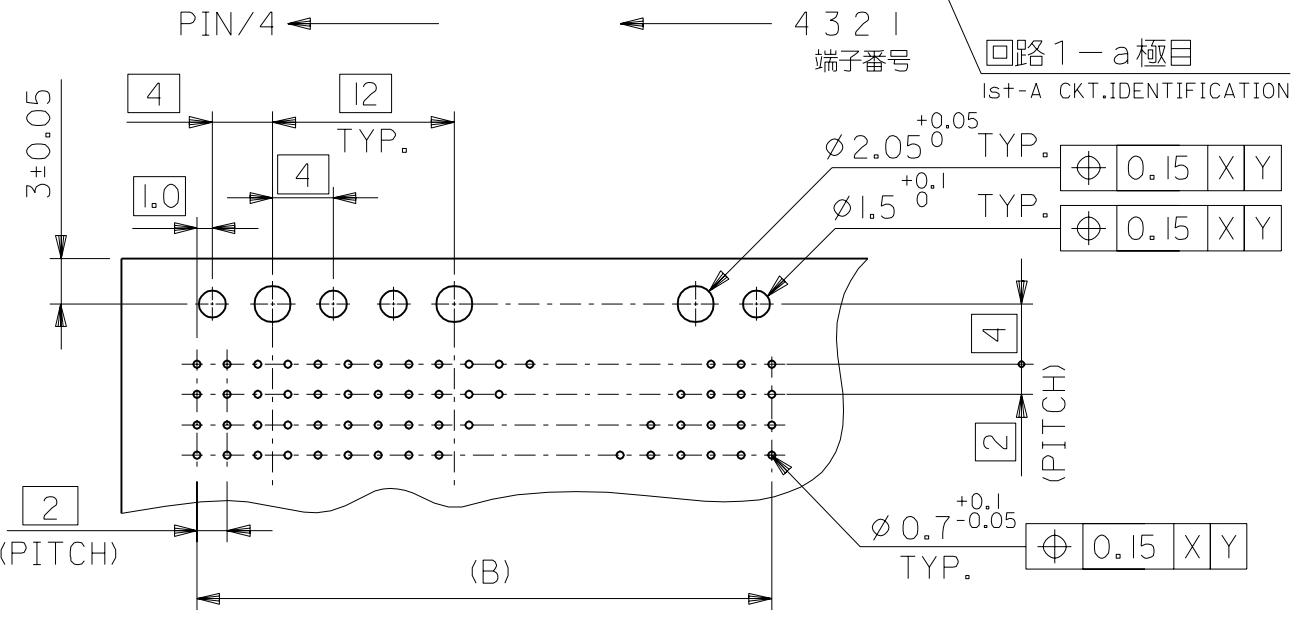


DWG. NO.  
SD-54526-003

番号 No.	部品 PART NAME	材質 MATERIAL	仕上げ FINISH
①	リセプタクル ハウジング RECEPTACLE HOUSING	液晶ポリマー、ガラス充填、自然色(白)、UL94V-0 LCP, GLASS FILLED, NATURAL(WHITE), UL94V-0	—#—
②	リセプタクル ターミナル RECEPTACLE TERMINAL	リン青銅 PHOSPHOR BRONZE	△1.



A-A  
(NON-SCALE)



基板穴推奨寸法 (部品実装)  
RECOMMENDED P.C.B. LAYOUT (COMPONENT SIDE)

- 注記  
NOTE :
- △1. ターミナル めっき仕様  
TERMINAL PLATING  
金めっき: 0.38 μm MIN. (接点部)  
GOLD: 0.38 μm MIN. (CONTACT AREA)  
半田めっき: 1.0 μm MIN. (半田付け部)  
TIN-LEAD: 1.0 μm MIN. (SOLDER AREA)  
ニッケルメッキ: 2.0 μm MIN. (下地めっき)  
NICKEL: 1.0 μm MIN. (UNDER PLATING)
  - 2. 推奨基板厚: t=1.6  
RECOMMENDED P.C.B. THICKNESS: t=1.6
  - 3. 適合プラグ: 53901-\*\*\*4, 55222-\*\*\*4, 55089-\*\*\*4  
APPLICABLE PLUG: 53901-\*\*\*4, 55222-\*\*\*4, 55089-\*\*\*4
  - △4. 製品番号及びロットナンバー  
MATERIAL NO. & LOT NO.

94	95.98	54526-1920	192
58	59.98	54526-1200	120
46	47.98	54526-0960	96
22	23.98	54526-0480	48
10	11.98	54526-0240	24
B	A	MATERIAL NO.	PIN

DO NOT SCALE DRAWING

REV				MATERIAL 材料	GENERAL TOLERANCES: (UNLESS SPECIFIED) 一般公差	SCALE 2-1	DESIGN UNITS mm INCH	PROJECTION 2D PROJECTION	TITLE	SHT	REV	
0	RELEASED	JD00190		—#—	10 UNDER 未満 ±0.2		mm INCH	2D	"MFB" B/B CONN. (FB+) REC. ASS'Y 4ROWS DIP			
	DRWN: S.HOSHIKAWA '99/08/23	CH'K: A.NODA	APPR: H.IKESUGI	FINISH 仕上げ	10 OVER 以上 30 UNDER 未満 ±0.25			3D		MOLEX INCORPORATED		
	DRWN: S.HOSHIKAWA '99/08/23	CH'K: A.NODA	APPR: H.IKESUGI	WIRE RANGE 適用電線範囲	30 OVER 以上 ±0.3						MATERIAL NO. SEE TABLE	DRAWING NO. SD-54526-003
	DRWN: S.HOSHIKAWA '99/08/23	CH'K: A.NODA	APPR: H.IKESUGI	INS. RANGE 被覆外径	ANGLE 角度 ±3°				THIS DRAWING CONTAINS INFORMATION THAT IS PROPRIETARY TO MOLEX INCORPORATED AND SHOULD NOT BE USED WITHOUT WRITTEN PERMISSION.		SIZE B	

54526003.S01