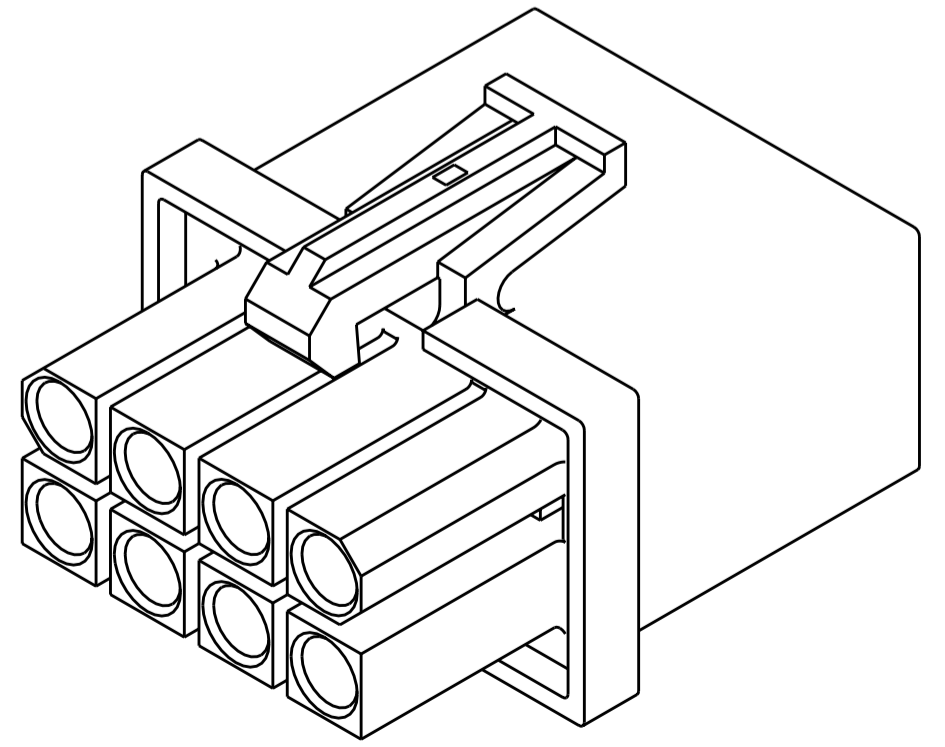
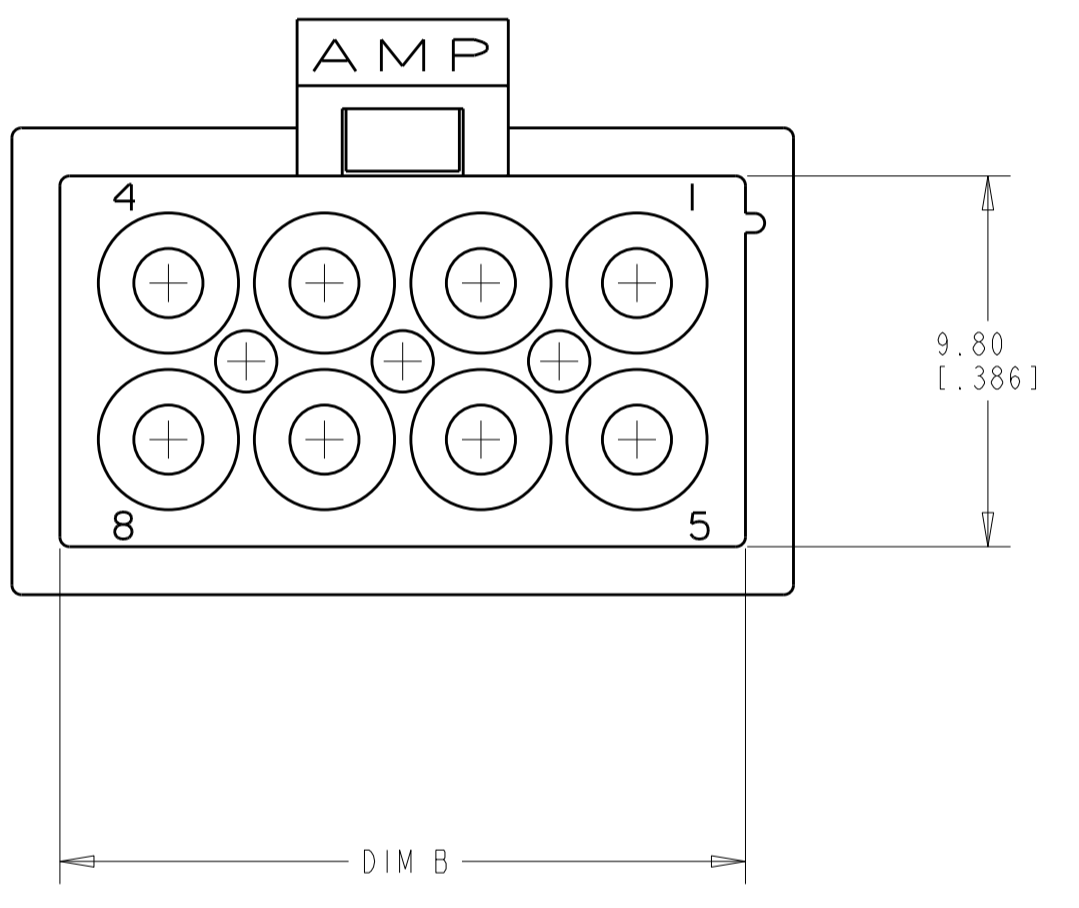
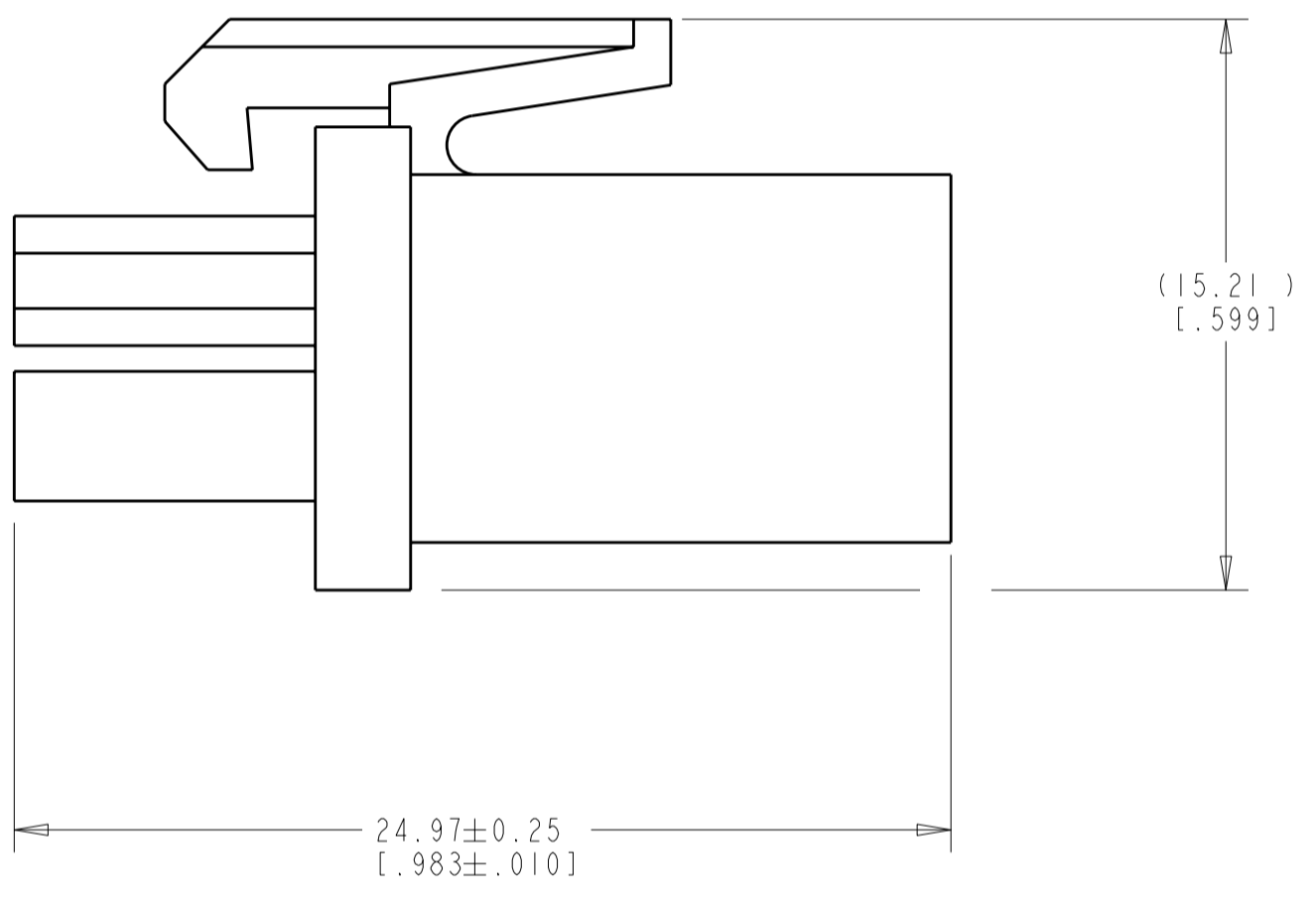
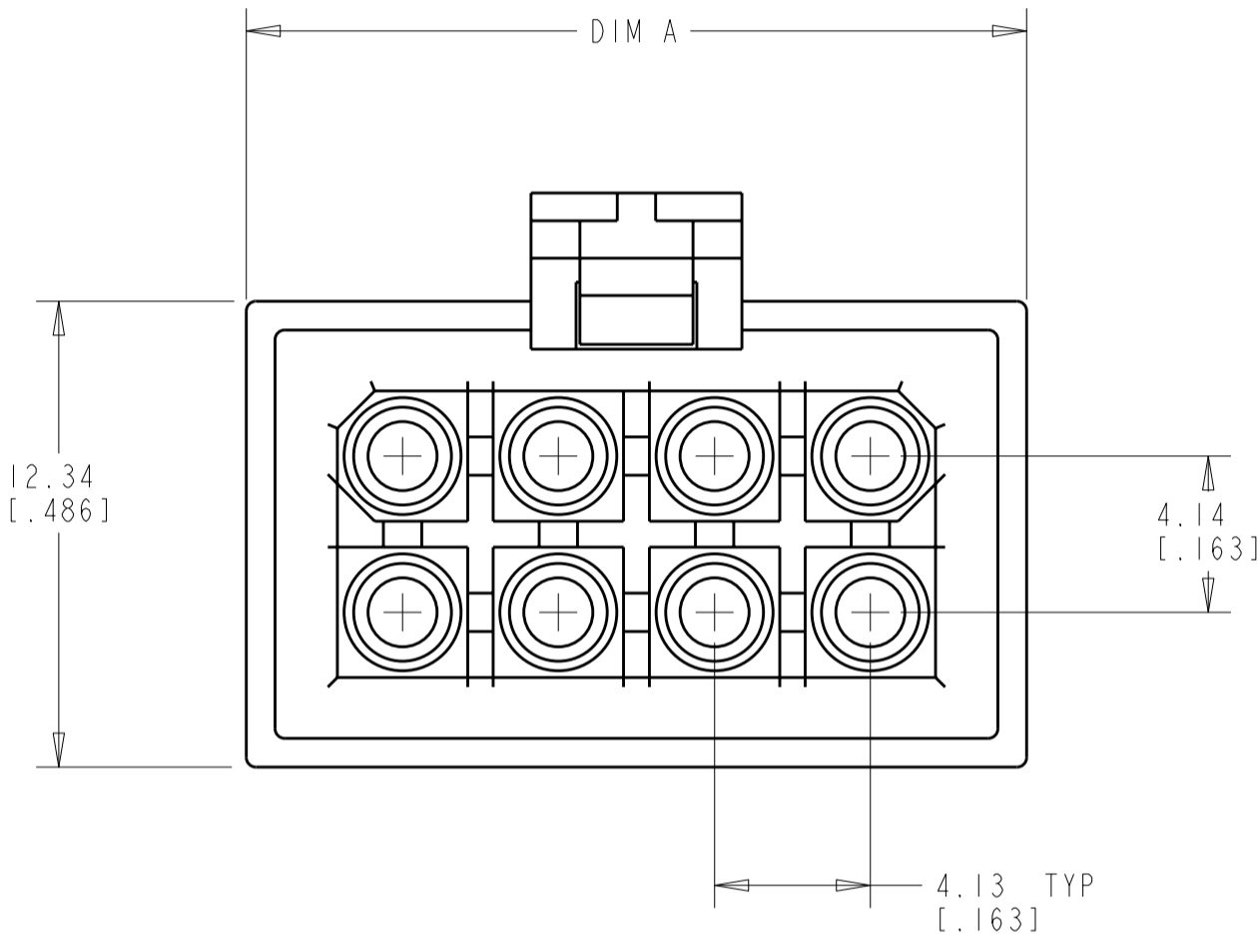


THIS DRAWING IS UNPUBLISHED. RELEASED FOR PUBLICATION 20
 © COPYRIGHT 20 BY TYCO ELECTRONICS CORPORATION. ALL RIGHTS RESERVED.

LOC	DIST	REVISIONS					
CM	00	P	LTR	DESCRIPTION	DATE	DWN	APVD
		A		RELEASED PER 0G3B-0447-04	18JUN04	KW	CJ
		B		REVISED PER ECO-05-014359	21APR06	KW	CJ

- DIMENSIONS IN BRACKETS ARE IN INCHES.
- HIGH TEMP NYLON, UL94V-2, BLACK.
- 150° C TEMPERATURE RATING FOR THIS HOUSING IS FOR SHORT DURATION ONLY. MAX OPERATING TEMPERATURE REMAINS 90° C WHEN USED WITH SEALS OR 105° C WHEN USED WITHOUT SEALS.

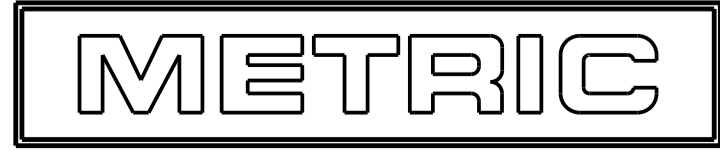


3 DIMENSIONAL MODEL
SCALE 4:1

1586406-8 SHOWN

22.22 [.877]	24.82 [.977]	10	1-1586406-0
18.14 [.714]	20.68 [.814]	8	1586406-8
14.00 [.551]	16.54 [.651]	6	1586406-6
9.80 [.386]	12.34 [.486]	4	1586406-4
5.59 [.220]	8.13 [.320]	2	1586406-2
DIM B	DIM A	CKTS	PART NUMBER

<small>THIS DRAWING IS A CONTROLLED DOCUMENT FOR TYCO ELECTRONICS CORPORATION. IT IS SUBJECT TO CHANGE AND THE CONTROLLING ENGINEERING ORGANIZATION SHOULD BE CONTACTED FOR THE LATEST REVISION.</small>		DWN <u>K. WHITAKER</u> 04MAY04 CHK <u>C. JONES</u> 04MAY04 APVD <u>C. JONES</u> 04MAY04	tyco Electronics Tyco Electronics Harrisburg, PA 17105-3608
DIMENSIONS: mm [INCHES]	TOLERANCES UNLESS OTHERWISE SPECIFIED: 0 PLC ±- 1 PLC ±- 2 PLC ±0.13 [.005] 3 PLC ±- 4 PLC ±- ANGLES ±0° 30' FINISH	PRODUCT SPEC APPLICATION SPEC WEIGHT	NAME PLUG, SEALED APPLICATION, HIGH TEMP, MINI UNIVERSAL MATE-N-LOK(TM)
MATERIAL 	CUSTOMER DRAWING	SIZE A2 CAGE CODE 00779 DRAWING NO. 1586406	RESTRICTED TO SCALE 5:1 SHEET 1 OF 1 REV B



1586406