

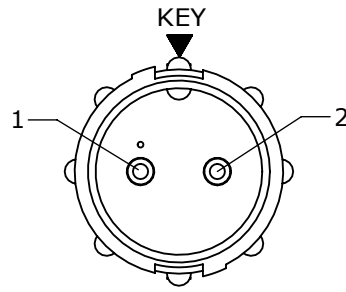
CUSTOMER PRINT

PART NUMBER: 8280-XPG-3XX

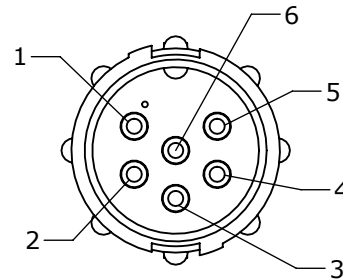
NOTES:
1. ALL PARTS TO BE BULK PACKED

ASSY P/N	GROMMET FOR CABLE O.D.
8280-XPG-3DC	DAISY CHAIN
8280-XPG-311	0.09-0.14 [2.3-3.5mm]
8280-XPG-315	0.15-0.17 [3.8-4.3mm]
8280-XPG-318	0.18-0.20 [4.6-5.1mm]
8280-XPG-321	0.21-0.23 [5.3-5.8mm]

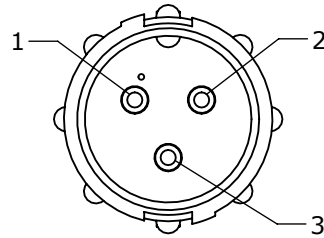
KIT P/N	NO. OF CONTACTS
8280-2PG-3XX	(2)-#20
8280-3PG-3XX	(3)-#20
8280-4PG-3XX	(4)-#20
8280-5PG-3XX	(5)-#20
8280-6PG-3XX	(6)-#20
8280-7PG-3XX	(7)-#20
8280-8PG-3XX	(8)-#20
8280-XPG-3XX	



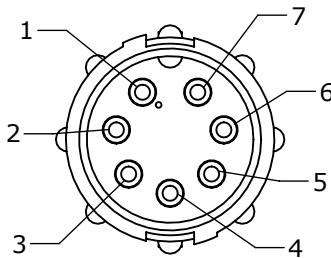
FACE VIEW
8280-2PG-3XX



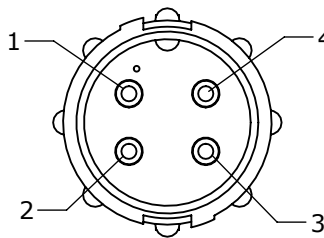
FACE VIEW
8280-6PG-3XX



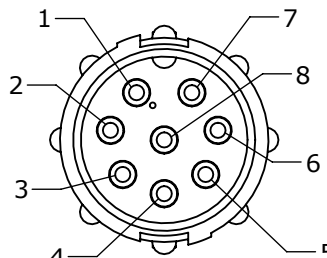
FACE VIEW
8280-3PG-3XX



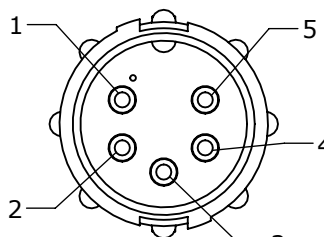
FACE VIEW
8280-7PG-3XX



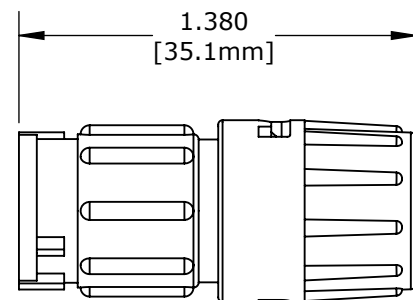
FACE VIEW
8280-4PG-3XX



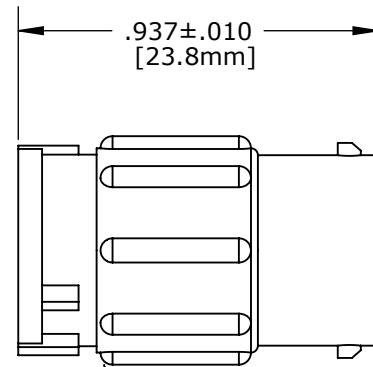
FACE VIEW
8280-8PG-3XX



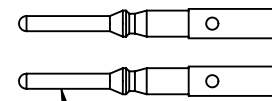
FACE VIEW
8280-5PG-3XX



SHOWN ASSEMBLED KIT
FOR CUSTOMER REFERENCE ONLY

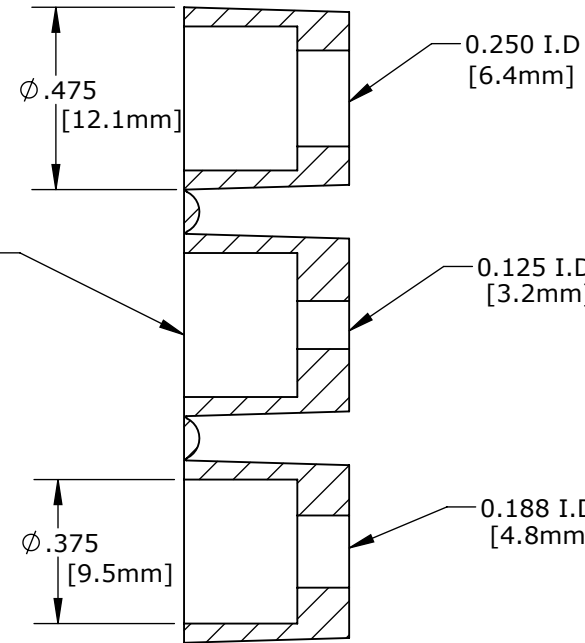


CABLE CONNECTOR, MALE
MAT'L: NYLON, BLACK
NO. OF POSITIONS: SEE CHART

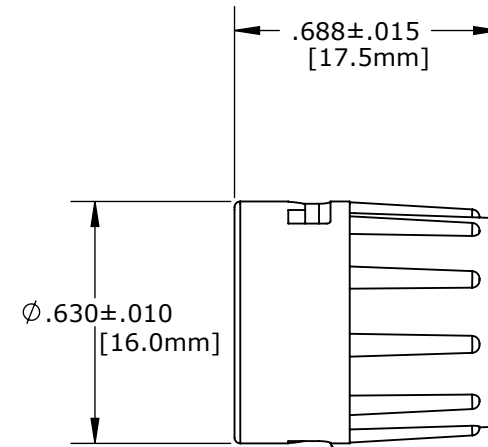


(2-8) #20 PIN CONTACTS
MAT'L: GOLD PLATED,
COPPER ALLOY

GROMMET, DAISY CHAIN
FOR 8280-XPG-3DC
MAT'L: RUBBER, BLACK



GROMMET
MAT'L: RUBBER, BLACK
GROMMET SIZE: SEE CHART



BACKSHELL
MAT'L: NYLON, BLACK

GROMMET SIZE FOR
SINGLE GROMMET OR
"DC" FOR DAISY CHAIN
NO. OF CONTACT

CUSTOMER APPROVAL

THIS DOCUMENT CONTAINS CONFIDENTIAL INFORMATION PROPRIETARY TO CONXALL CORPORATION. ANY REPRODUCTION, DISCLOSURE, OR USE OF THIS DOCUMENT /INFORMATION IS EXPRESSLY PROHIBITED UNLESS AUTHORIZED IN WRITING BY CONXALL CORPORATION.

APPROVED BY: _____

DATE: _____

RoHS COMPLIANT

REV.	INIT.	DATE	DESCRIPTION
A	AN	11-03-11	DRAWING CREATED PER DOR 11-E149SL
<small>ALL INFORMATION ILLUSTRATED IS THE PROPERTY OF "CONXALL CORPORATION". UNAUTHORIZED DUPLICATION OR DISTRIBUTION OF THIS DOCUMENT IS PROHIBITED.</small>			<small>ORIG. DRAWN BY: AN</small> <small>DATE: 11-03-11</small>
<small>ALL UNITS ARE IN FEET, INCHES, FRACTION OF INCHES AND DECIMALS.</small>			<p>601 E. WILDWOOD VILLA PARK, IL 60181</p>
<small>UNLESS OTHERWISE SPECIFIED TOLERANCES: 3 PLACE DECIMALS ±0.10 ANGLES ±1° FRACTIONS ±1/16</small>			
<small>APPROVED BY:</small>		<small>SCALE: NTS</small> <small>SIZE: B</small> <small>SHEET: 1 OF 1</small>	<small>TITLE: CABLE TO CABLE CONN. ASS'Y (2-8) #20 PIN CONTACTS MINI-CON-X</small> <small>CUSTOMER: STANDARD PRODUCT</small>
<small>FILE: 8280-XPG-3XX</small>	<small>DIRECTORY: SLW</small>	<small>PART NUMBER: 8280-XPG-3XX</small>	<small>REV: A</small>

DIMENSIONS IN BRACKET [] ARE METRIC.