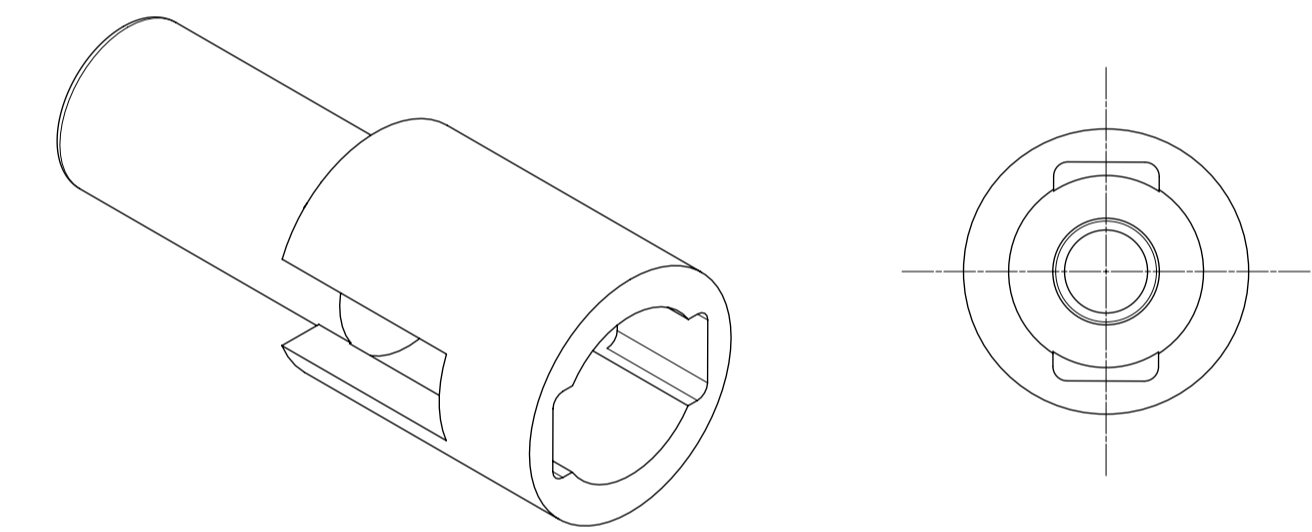
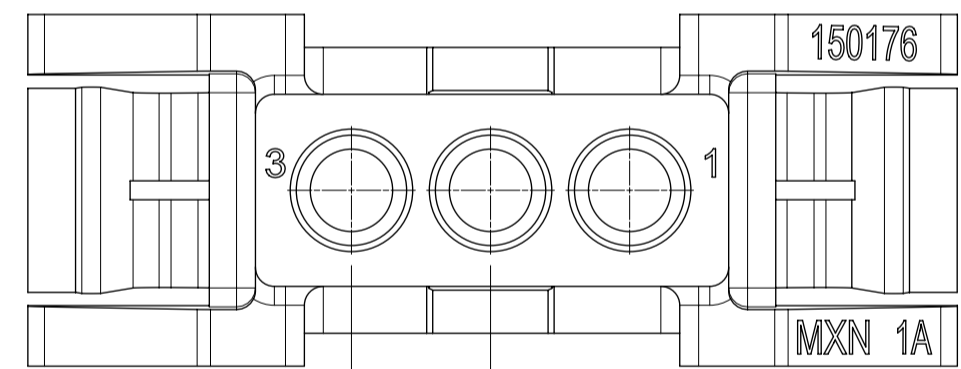
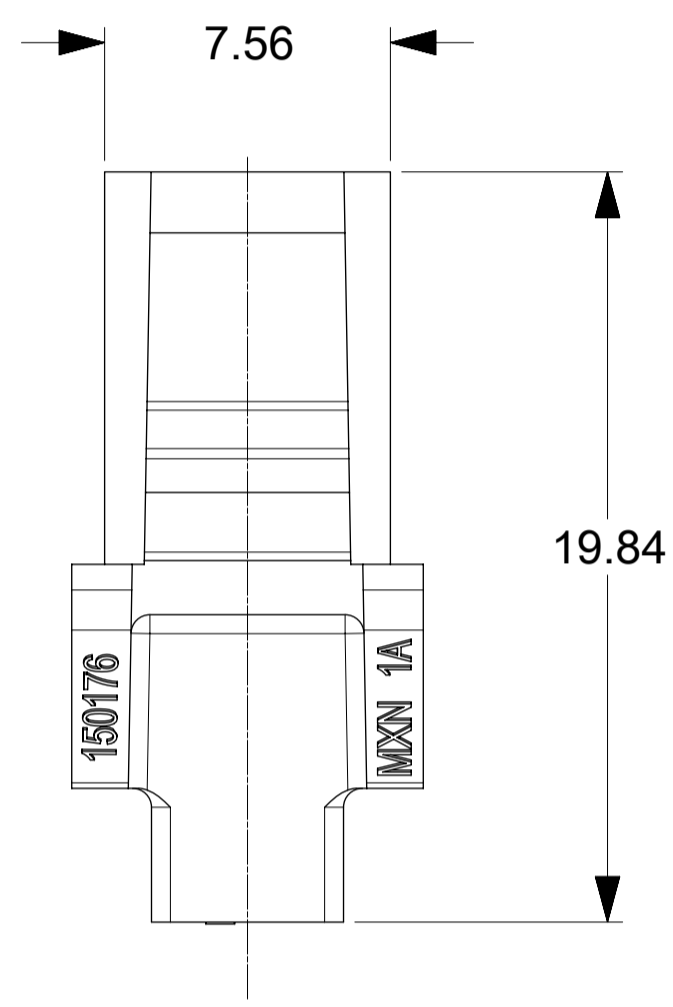
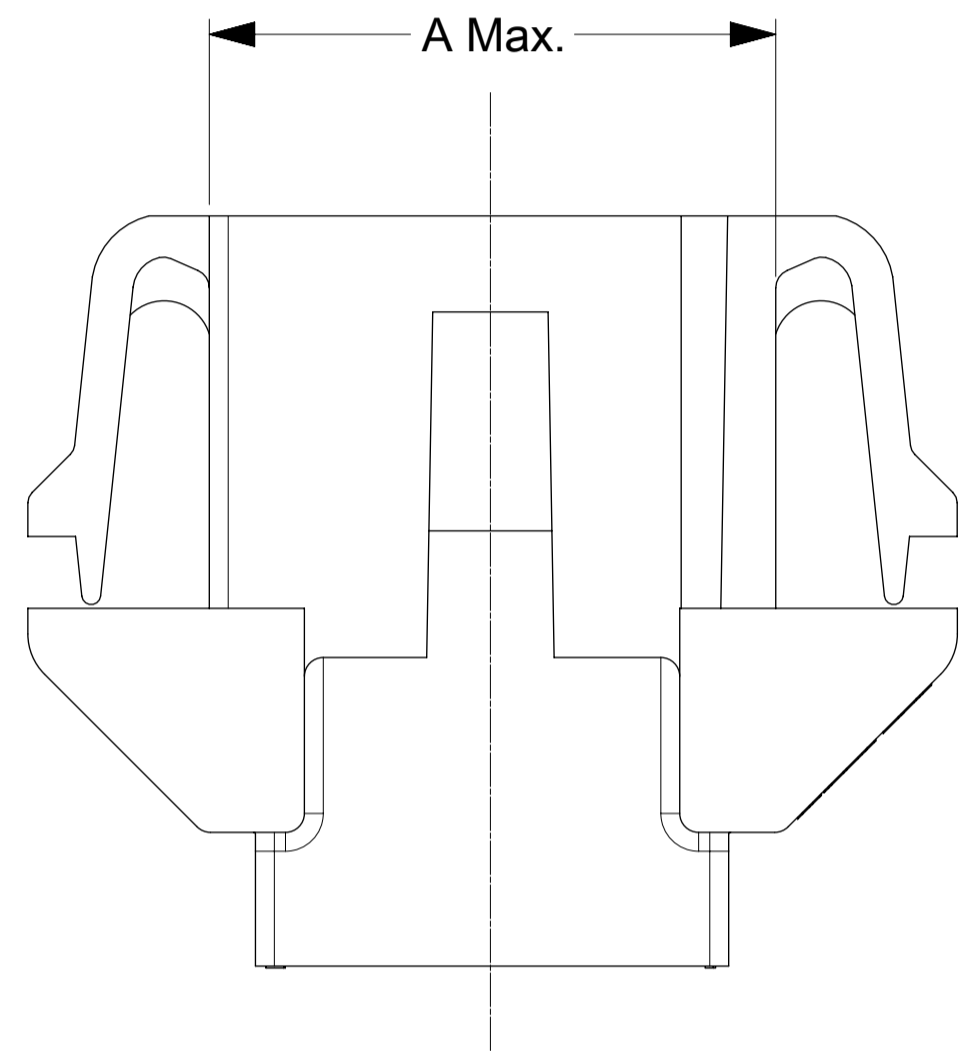


LEGEND

1 5 0 1 7 6 * * * *
 NO. OF ROWS

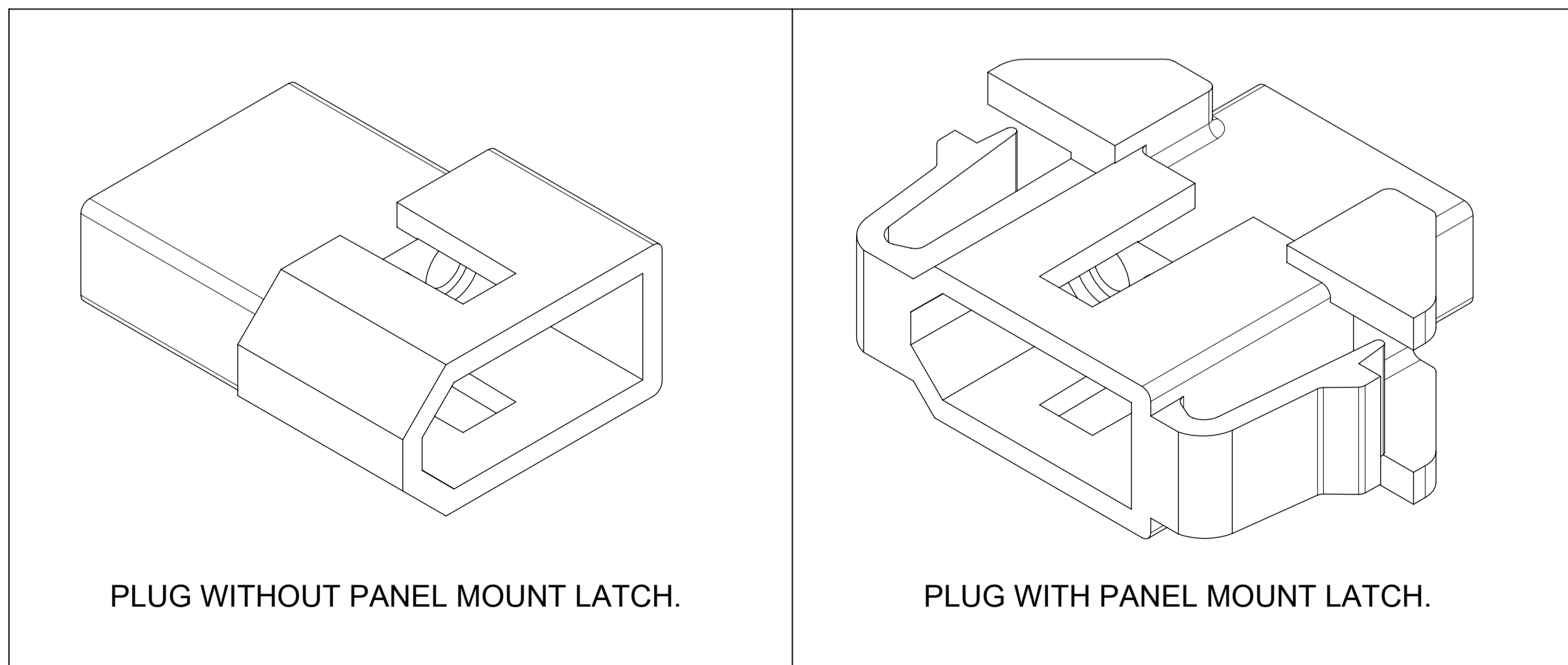
 NO. OF CIRCUIT

0= WITH PANEL MOUNT LATCH
 1= WITHOUT PANEL MOUNT LATCH



1CKT PLUG HOUSING

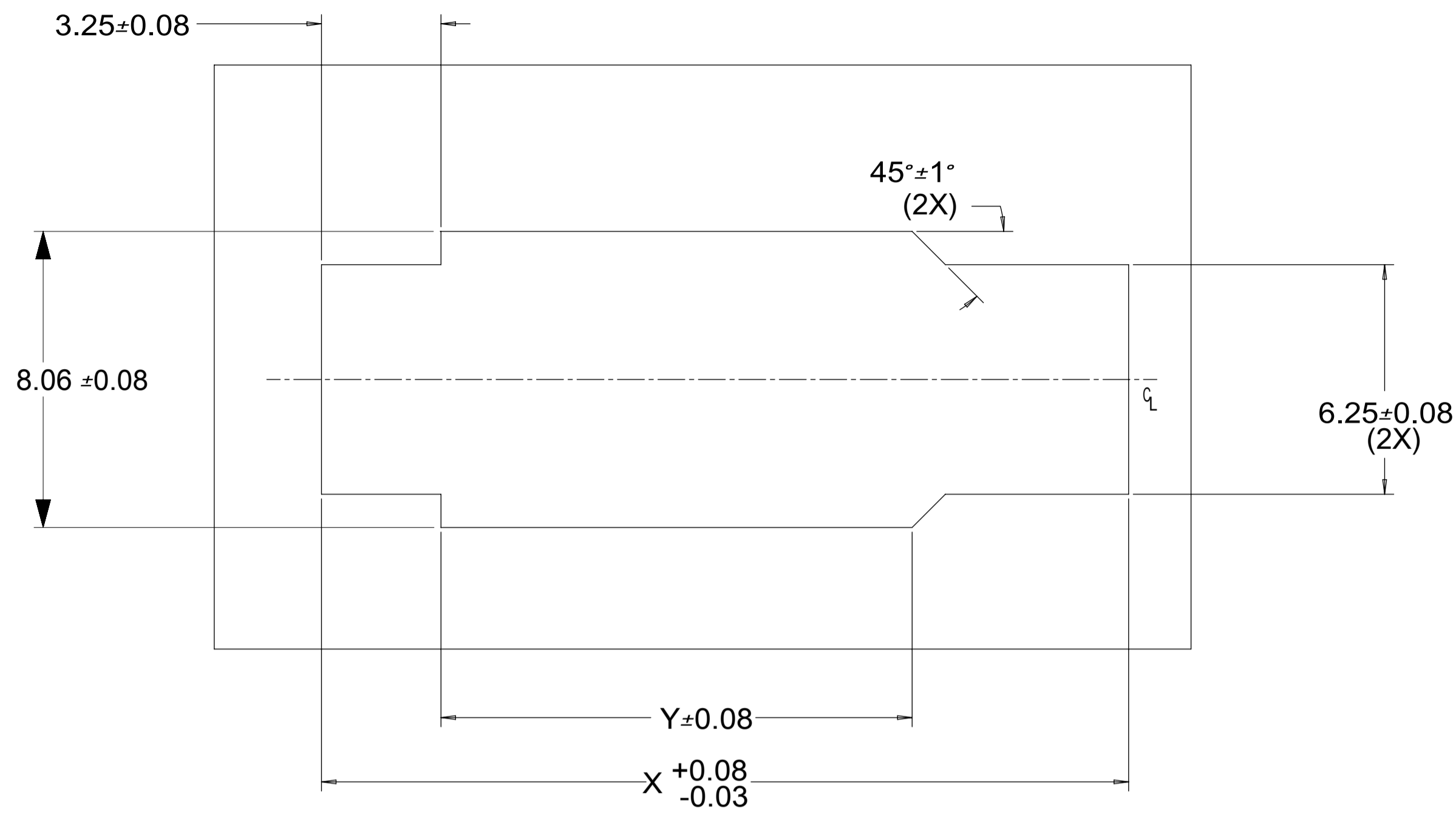
SL NO.	DESCRIPTION	PART NUMBER	DIM A
1	1CKT SINGLE ROW HSG WITHOUT PANEL MOUNT LATCH	1501761011	----
2	2CKT SINGLE ROW HSG WITH PANEL MOUNT LATCH	1501761020	11.40
3	2CKT SINGLE ROW HSG WITHOUT PANEL MOUNT LATCH	1501761021	
4	3CKT SINGLE ROW HSG WITH PANEL MOUNT LATCH	1501761030	15.05
5	3CKT SINGLE ROW HSG WITHOUT PANEL MOUNT LATCH	1501761031	



PLUG WITHOUT PANEL MOUNT LATCH.

PLUG WITH PANEL MOUNT LATCH.

FUNCTIONAL SYMBOLS $\frac{F}{A} = 0$ $\frac{F}{C} = 0$ $\frac{F}{P} = 0$	THIS DRAWING CONTAINS INFORMATION THAT IS PROPRIETARY TO MOLEX ELECTRONIC TECHNOLOGIES, LLC AND SHOULD NOT BE USED WITHOUT WRITTEN PERMISSION DIMENSION UNITS: SCALE: 5:1 GENERAL TOLERANCES (UNLESS SPECIFIED) ANGULAR TOL ± 1.0°	CURRENT REV DESC: DESCRIPTION UPDATED EC NO: 647195 DRWN: PRADEA 2020/10/09 CHKD: NCSR 2020/10/19 APPR: NCSR 2020/10/19			
	DIVISIONAL SYMBOLS 4 PLACES ± 3 PLACES ± 2 PLACES ± 0.25 1 PLACE ± 0.35 0 PLACES ±	INITIAL REVISION: DRWN: GES 2014/10/08 APPR:	PRODUCT CUSTOMER DRAWING DOCUMENT NUMBER: SD-150176-001 DOC TYPE: PSD DOC PART: 000 REVISION: B1	MATERIAL NUMBER: SEE TABLE CUSTOMER: GENERAL MARKET	SHEET NUMBER: 1 OF 2
DRAFT WHERE APPLICABLE MUST REMAIN WITHIN DIMENSIONS	THIRD ANGLE PROJECTION	DRAWING: A1-SIZE	SERIES: 150176	SHEET NUMBER: 1 OF 2	



RECOMMENDED PANEL CUT-OUT DIMENSION;
PANEL THICKNESS-1.50MM Max.

SL NO.	DESCRIPTION	PART NUMBER	DIM X	DIM Y
1	2CKT SINGLE ROW HSG WITH PANEL MOUNT LATCH	1501761020	18.28	9.15
2	3CKT SINGLE ROW HSG WITH PANEL MOUNT LATCH	1501761030	21.98	12.83

NOTES:

- 1) MATERIAL : NYLON 66, 94V-2. COLOR- NATURAL
- 2) PRODUCT SPECIFICATION: 1501760001-PS
- 3) PACKAGING SPECS: PK-150176-001
- 4) THIS PART CONFORMS TO CLASS B REQUIREMENTS OF COSMETIC SPEC PS-45499-002.
- 5) THIS PARTS CONFORMS THE NYLON MOISTURIZATION REQUIREMENT AS PER AS-45499-001.
- 6) PARTS ACCEPT TERMINAL SERIES NUMBER 150180
- 7) PARTS MATES WITH SERIES NUMBER 150178.

FUNCTIONAL SYMBOLS E/A = 0 E/C = 0 E/P = 0	THIS DRAWING CONTAINS INFORMATION THAT IS PROPRIETARY TO MOLEX ELECTRONIC TECHNOLOGIES, LLC AND SHOULD NOT BE USED WITHOUT WRITTEN PERMISSION	DIMENSION UNITS	SCALE 5:1	CURRENT REV DESC: DESCRIPTION UPDATED		molex		
	GENERAL TOLERANCES (UNLESS SPECIFIED)	EC NO: 647195		DRWN: PRADEA 2020/10/09				
DIVISIONAL SYMBOLS	ANGULAR TOL ± 1.0°	4 PLACES ±		CHK'D: NCSR 2020/10/19		PRODUCT CUSTOMER DRAWING		
	3 PLACES ±	3 PLACES ±		APPR: NCSR 2020/10/19		DOCUMENT NUMBER		
	2 PLACES ± 0.25	2 PLACES ± 0.25		INITIAL REVISION:		SD-150176-001		
	1 PLACE ± 0.35	1 PLACE ± 0.35		DRWN: GES 2014/10/08		DOC TYPE DOC PART REVISION		
0 PLACES ±	0 PLACES ±		APPR:		PSD 000 B1			
DRAFT WHERE APPLICABLE MUST REMAIN WITHIN DIMENSIONS	THIRD ANGLE PROJECTION	DRAWING	SERIES	MATERIAL NUMBER	CUSTOMER	SHEET NUMBER		
		A1-SIZE	150176	SEE TABLE	GENERAL MARKET	2 OF 2		