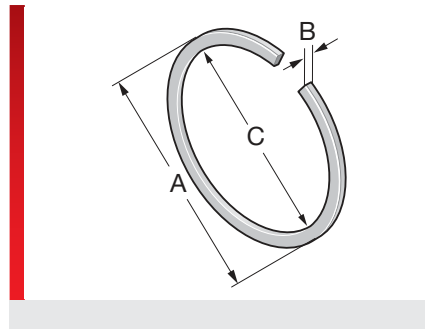
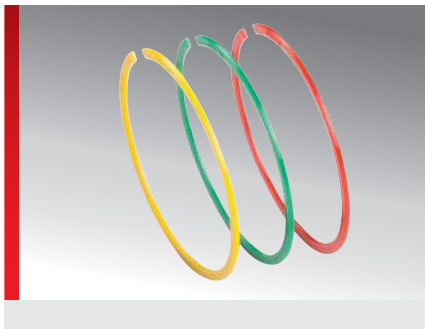


Position marker



PRODUCT INFORMATION

Conduit marking for any number of uses in robotics and mechanical engineering applications.
Can be installed in seconds on EW and EWX cable protection conduits.

SPECIFICATIONS

- 20 – 105 °C
- acc. to UL94 HB
-

Type	Order No.	Colour	A mm	B mm	Pack qty.
Position markers for EW, EW-LS, EWT and EWX					
Position marker - 36 - yellow	83692641	Yellow	32.70	1.75	5
Position marker - 36 - green	83692636	Green	32.70	1.75	5
Position marker - 36 - red	83692646	Red	32.70	1.75	5
Position marker - 48 - yellow	83692642	Yellow	41.20	1.75	5
Position marker - 48 - green	83692637	Green	41.20	1.75	5
Position marker - 48 - red	83692647	Red	41.20	1.75	5
Position marker - 56 - yellow	83692643	Yellow	59.10	1.75	5
Position marker - 56 - green	83692638	Green	59.10	1.75	5
Position marker - 56 - red	83692648	Red	59.10	1.75	5
Position marker - 70 - yellow	83692644	Yellow	70.50	1.75	5
Position marker - 70 - green	83692639	Green	70.50	1.75	5
Position marker - 70 - red	83692649	Red	70.50	1.75	5
Position marker - 80 - yellow	83692732	Yellow	82.60	1.75	5
Position marker - 80 - green	83692731	Green	82.60	1.75	5
Position marker - 80 - red	83692730	Red	82.60	1.75	5
Position marker - 95 - yellow	83692736	Yellow	95.00	1.75	5
Position marker - 95 - green	83692735	Green	95.00	1.75	5
Position marker - 95 - red	83692734	Red	95.00	1.75	5
Position marker - set 36	83692690		32.70	1.75	1
Position marker - set 48	83692692		41.20	1.75	1
Position marker - set 56	83692694		59.10	1.75	1
Position marker - set 70	83692698		70.50	1.75	1
Position marker - set 80	83692733		82.60	1.75	1
Position marker - set 95	83692737		95.00	1.75	1

Position marker

THERMAL PROPERTIES

**Temperature / temperature range**

-20 – 105 °C

FIRE PROPERTIES

**Fire classification**

acc. to UL94 HB

TECHNICAL INFORMATION



Halogen-free



Silicone-free

CONFORMITY



RoHS (EC Directive 2011/65/EU)



CE (EU Directive 765/2008)

APPROVALS AND OPERATING PERMITS



ROBI approval

All details given in our sales brochures and catalogues, as well as the information available online, are based on our current knowledge of the products described.

The electronic data and files made available by Murrplastik, particularly CAD files are based on our current knowledge of the product described.

A legally binding assurance of certain properties or the suitability for a certain purpose can not be determined from this information.

All information with respect to the chemical and physical properties of Murrplastik products, as well as application advice given verbally, in writing or by tests, is given to the best of our knowledge.

This does not free the purchaser of carrying out their own inspections and tests in order to determine the suitability of a product for a specific purpose.

Murrplastik accepts no responsibility for the available information being up-to-date, correct or complete. Neither do we accept responsibility for the quality of this information.

Murrplastik accepts no liability for damage caused as a result of using our products.

Murrplastik reserves the right to make technical changes and improvements through constant further development of products and services.

Our General Terms and Conditions apply.

© Murrplastik Systemtechnik GmbH • proID_126727~20190906~890283~aur_tecb_posmark