

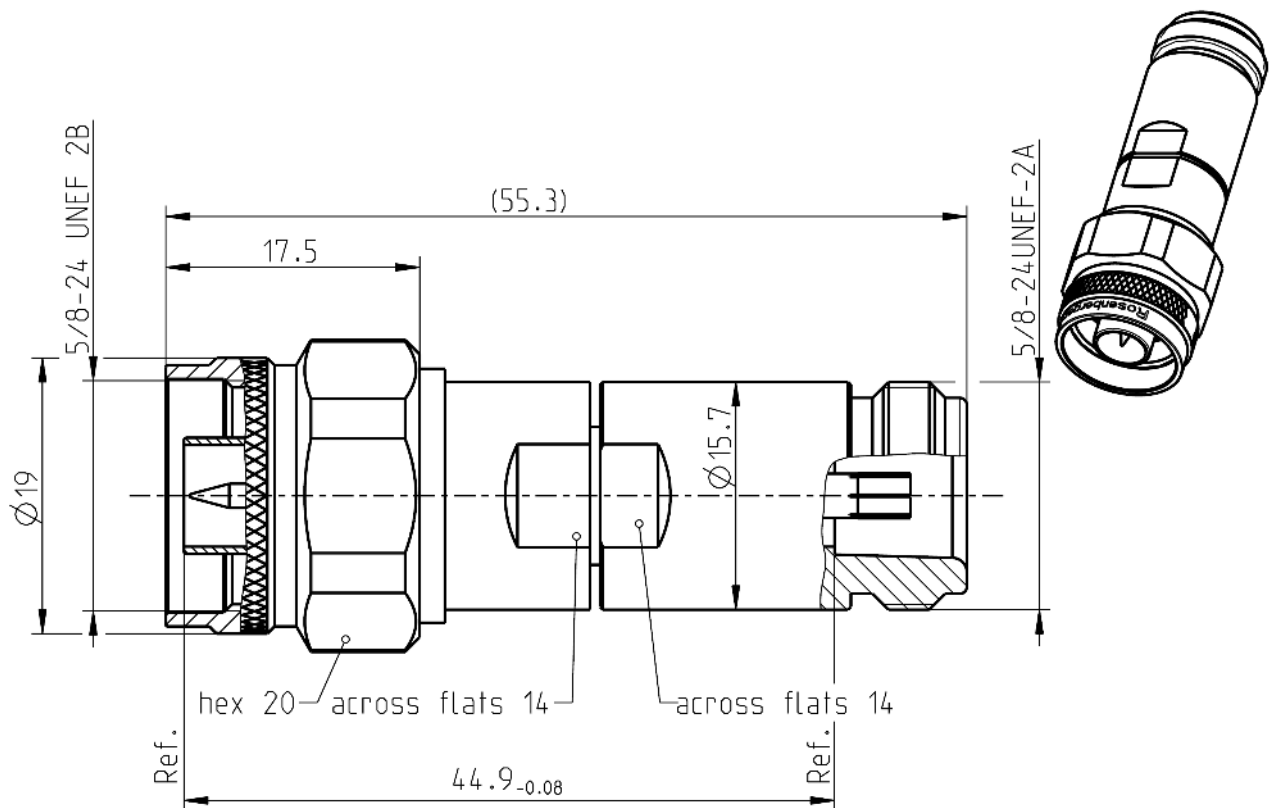
# Technical Data Sheet

# Rosenberger

RPC-N  
50 Ω

Adapter  
Plug – Jack

## 05S121-K00S3



All dimensions are in mm; tolerances according to ISO 2768 m-H

### Interface

According to

IEC 61169-16 ; CECC 22 210 ; MIL-STD 348A/402

### Documents

N/A

### Material and plating

#### Connector parts

Center contact  
Outer contact  
Coupling nut  
Dielectric

#### Material

CuBe  
Stainless steel  
Stainless steel  
PPE

#### Plating

Gold, min. 1.27 μm, over chemical nickel  
Passivated  
Passivated

# Technical Data Sheet

# Rosenberger

RPC-N  
50 Ω

Adapter  
Plug – Jack

## 05S121-K00S3

### Electrical data

Impedance	50 Ω
Frequency	DC to 18 GHz
Return loss	≥ 26 dB, DC to 18 GHz
Insertion loss	≤ 0.05 x $\sqrt{f(\text{GHz})}$ dB
Insulation resistance	≥ 5 GΩ
Center contact resistance	≤ 1.0 mΩ
Outer contact resistance	≤ 1.0 mΩ
Test voltage	2500 V rms
Working voltage	1000 V rms
RF-leakage	≥ 90 dB up to 1 GHz

### Mechanical data

Mating cycles	≥ 500
Center contact captivation	≥ 28 N
Coupling test torque	1.70 Nm
Recommended torque	0.70 Nm to 1.10 Nm

### Environmental data

Temperature range	-40°C to +85°C
Thermal shock	IEC 61169-1, Subclause 9.4.4
Corrosion	IEC 61169-1, Subclause 9.4.6
Vibration	IEC 61169-1, Subclause 9.3.3
Shock	IEC 61169-1, Subclause 9.3.14
Moisture resistance	IEC 61169-1, Subclause 9.4.3
RoHS	compliant

### Tooling

N/A

### Suitable cables

N/A

### Packing

Standard	1 pce in box
Weight	64.2 g/pce

While the information has been carefully compiled to the best of our knowledge, nothing is intended as representation or warranty on our part and no statement herein shall be construed as recommendation to infringe existing patents. In the effort to improve our products, we reserve the right to make changes judged to be necessary.

Draft	Date	Approved	Date	Rev.	Engineering change number	Name	Date
Herbert Babinger	27.07.04	Scherbauer M.	12.12.14	d00	14-1821	Maik Knoll	12.12.14

Rosenberger Hochfrequenztechnik GmbH & Co. KG P.O.Box 1260 D-84526 Tittmoning Germany <a href="http://www.rosenberger.de">www.rosenberger.de</a>	Tel. : +49 8684 18-0 Email : <a href="mailto:info@rosenberger.de">info@rosenberger.de</a>	Page 2 / 2
--	--	---------------